



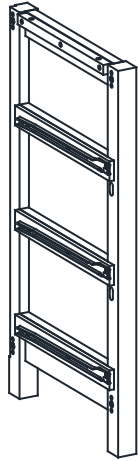
IMPORTANT! Please keep these instructions for future reference. Please read these instructions before assembly and use of this product.

- Adult assembly is required.
- Allen wrench (included) required for assembly
- Phillips Head Screw Driver (Not Included) required for assembly.
- Product features and decorations may vary from illustrations.
- Do not use power drills or drivers.

Part Lists



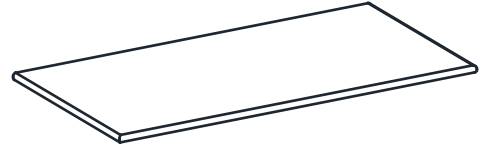
A.Left Side Panel x1



B.Right Side Panel x1



C.Top Trim x1



D.Top Panel x1



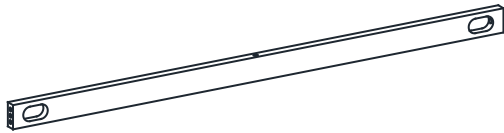
E1.Front Top Rail x1



F.Middle Rail With Tenons x4



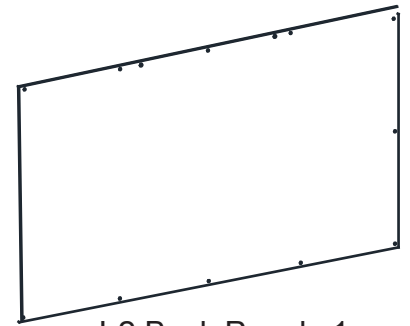
E2.Back Top Rail x1



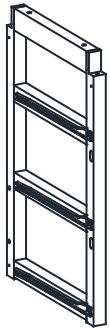
G.Front & Back Bottom rail x2



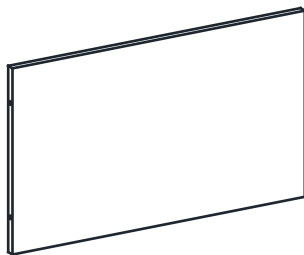
I-1.Back Panel x1



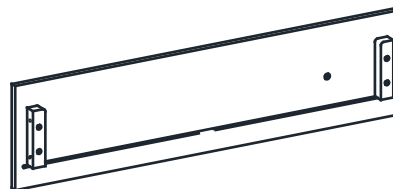
I-2.Back Panel x1



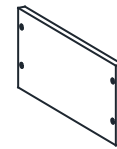
H.Divider Frame x1



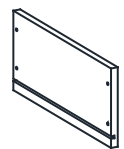
J.Back Thick Panel x2



K.Drawer Front x6



Left



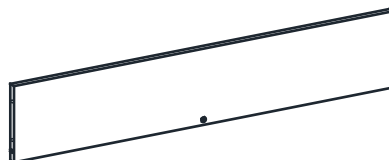
Right

L1.Left Drawer Side x6

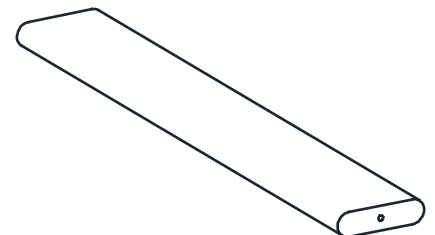
L2.Right Drawer Side x6



M.Drawer Bottom x6



N.Drawer Back x6

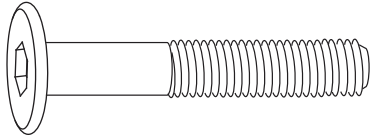


O.Drawer Support x6

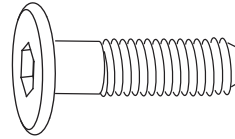
Part Lists

HARDWARE AND TOOL DIAGRAM

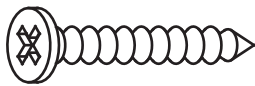
(P) 1-3/4" Allen head Bolt x18



(Q) 1-1/8" Allen head Bolt x4



(R) 1-1/4" Wood Screw x54



(S) 5/8" Wood Screw (for Back Panel) x24



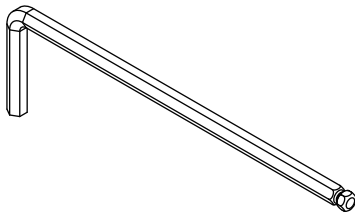
(T) 5/8" Wood Screw (For Metal Plate) x8



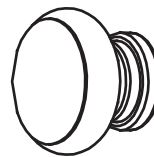
(U) 1" Knob Bolts x6



(V) Allen Wrench x1



(W) Drawer Knob x6



(X) Wood Dowel x24



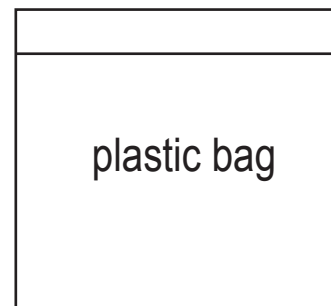
(Y) Iron Plate x4



(Z) Plastic Crescent Washer x8



(A2) Anti-Tip Kit x1 bag
(Instruction and Hardware inside)



(A1) Fabric Sticker (5/8"x4") x4



Furniture Care Instructions

Room Climate Control

Wood, when first cut contains more than 50 percent water. When it is prepared for furniture construction it is placed in a Kiln and the moisture content is brought down to 8 to 10 percent. Wood is porous and responds to its environment. If the room has high humidity it will absorb it and expand and if the humidity is low it will lose moisture and shrink.

It is important that the humidity levels in the room be controlled from extremes of too much humidity or too little. Furniture should not be placed close to air-conditioning outlets, fire places, radiators, space heaters, humidifiers or dehumidifiers. Exposure to extreme variations of temperature and humidity can damage any fine wood product.

The Ideal Environment for Fine Furniture

Fine wood furniture will have fewer problems when its environment is controlled at a temperature between 65 and 75 degrees and a relative humidity between 35 and 40 percent. Wood placed in an environment outside of those limits can and will shrink or expand and may develop some small cracks which are not material or structural defects.

Sticking Doors and Drawers

With the minor changes in temperature and humidity doors and drawers may swell and be difficult to open or close. Tolerances have been built into the units but extreme conditions may still cause sticking. This will adjust back to normal over time but until it does consider using a dehumidifier or rub candle wax or paraffin on the sides that stick.

Avoid Direct Sunlight

Keep the furniture out of direct sunlight. Ultraviolet rays will fade colors and in some cases darken them. It can also cause crazing or hair line cracks in the finish. White finishes will yellow naturally over time and exposure to direct sunlight will hasten this natural process along with some woods darkening naturally over time; this is not considered to be a quality defect.

Proper Storage

If you need to put your furniture in storage for any period of time do not store them in a damp basement or hot dry attic. Allow air movement around the furniture and do not stack anything on it.

In General

- Protect furniture surface from hot or extremely cold items.
- Use coasters under hot or cold beverages
- Do not use synthetic fabric under accessories or lamps
- Protect tops from pens, markers and crayons
- Oils from potpourri and other scented items can damage the furniture finish.
- Do not drag items across the surface of the furniture.
- Allow the surface to breath by rotating your accessories and lamps.
- Do not over polish the furniture, do it only two or three times a year. Over polishing can distort the natural finish of the product.
- Do not wax the furniture as wax build up can destroy the natural finish of the product.
- When moving furniture always lift the unit. Do not push or drag it to avoid damage to legs
- Keep the furniture level so doors and drawers open and close freely.
- Clean with a damp, not wet, cloth. Use only a mild soap. Do not use abrasive cleaners.

STOP

**IF YOU EXPERIENCE ANY
ISSUES WITH THIS PRODUCT**

**BEFORE YOU
RETURN THIS TO
THE RETAILER**

**PLEASE FOLLOW
PROCEDURES ON THE
BACK PAGE**



WARNING

FAILURE TO FOLLOW THESE WARNINGS AND ASSEMBLY INSTRUCTIONS COULD RESULT IN SERIOUS INJURY OR DEATH. READ ALL INSTRUCTIONS BEFORE ASSEMBLING CHANGING STATION. KEEP INSTRUCTIONS FOR FUTURE USE.

- Place heaviest items in the lowest drawers.
- Unless specifically designed to accommodate, do not set TVs or other heavy objects on top of product.
- Never allow children to climb or hang on drawers, doors or shelves.
- Never open more than one drawer at a time.

(OR)

- Do not defeat or remove the drawer interlock system.

USE OF TIP-OVER RESTRAINTS MAY ONLY REDUCE BUT NOT ELIMINATE, THE RISK OF TIP-OVER.

Assembly step 1



E1. Front Top Rail x1

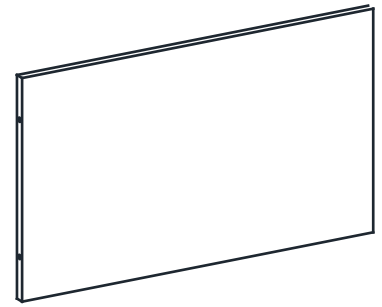


E2. Back Top Rail x1

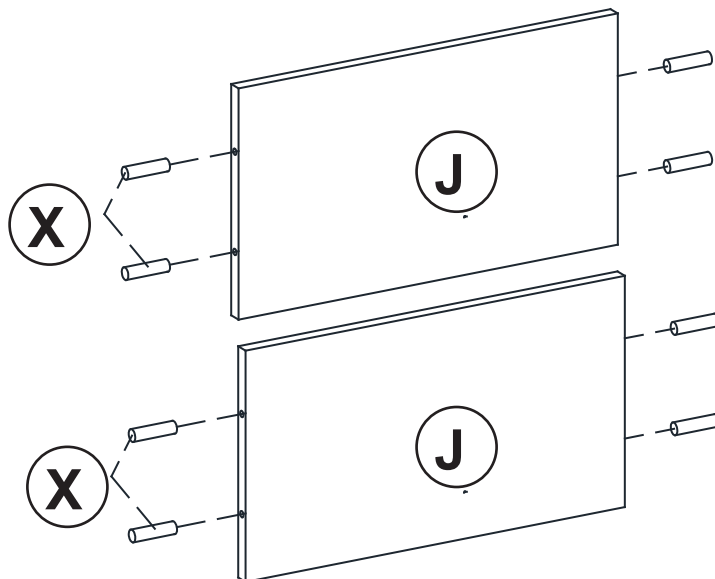
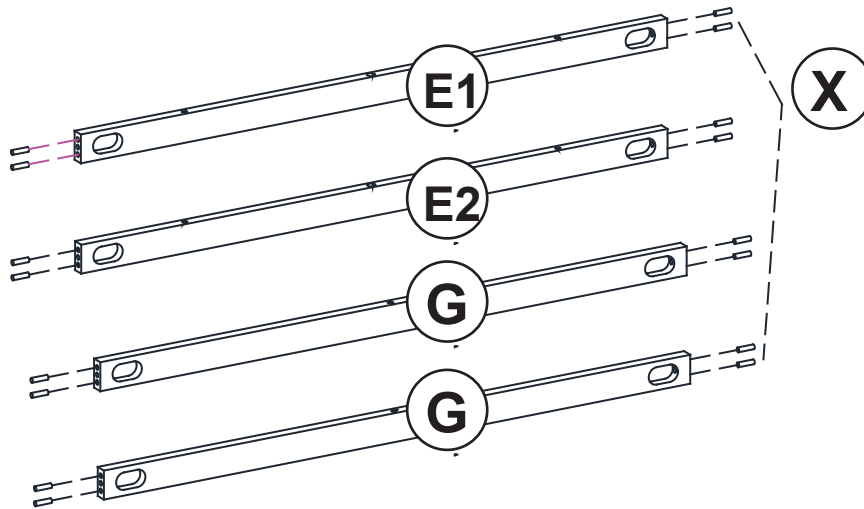


G. Front & Back Bottom rail x2

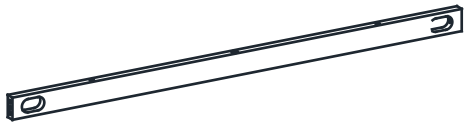
(X) Wood Dowel x24



J. Back Thick Panel x2



Assembly step 2



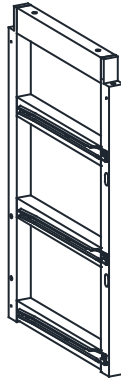
E1. Front Top Rail x1



E2. Back Top Rail x1

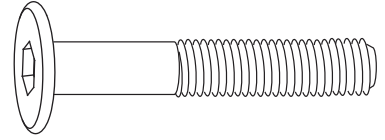


G. Front & Back Bottom rail x2

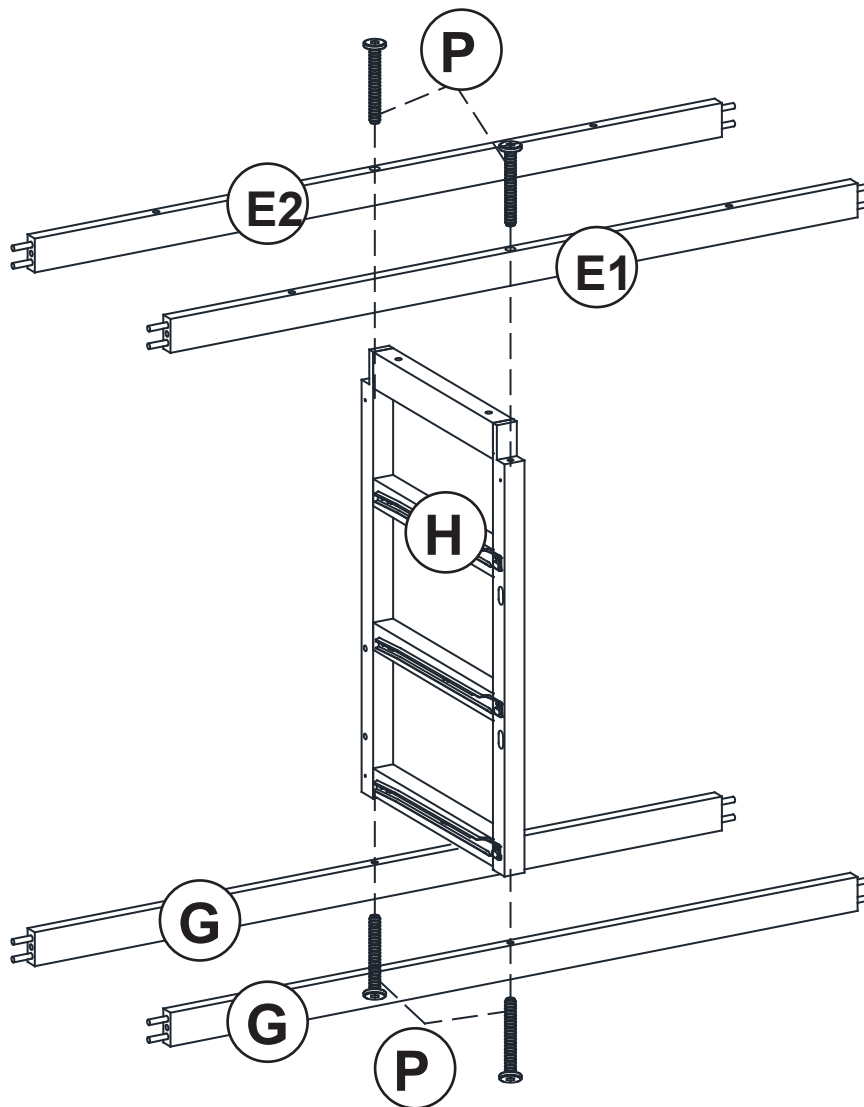
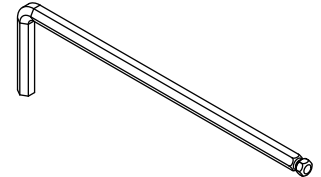


H. Divider Frame x1

(P) 1-3/4" Allen head Bolt X4



(V) Allen Wrench x1



Assembly step 3



B.Right Side Panel x1

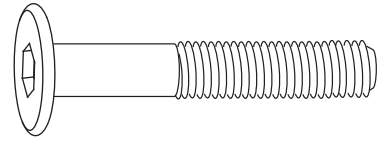


F.Middle Rail With Tenons x4

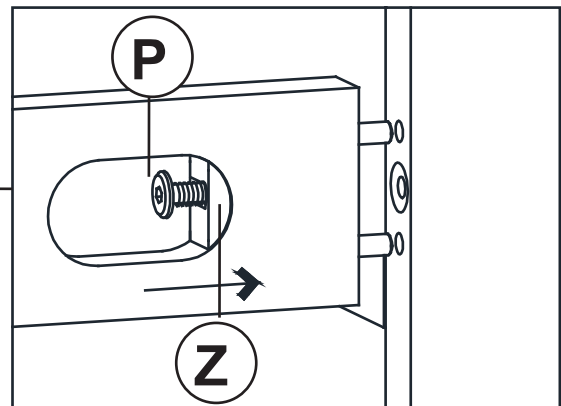
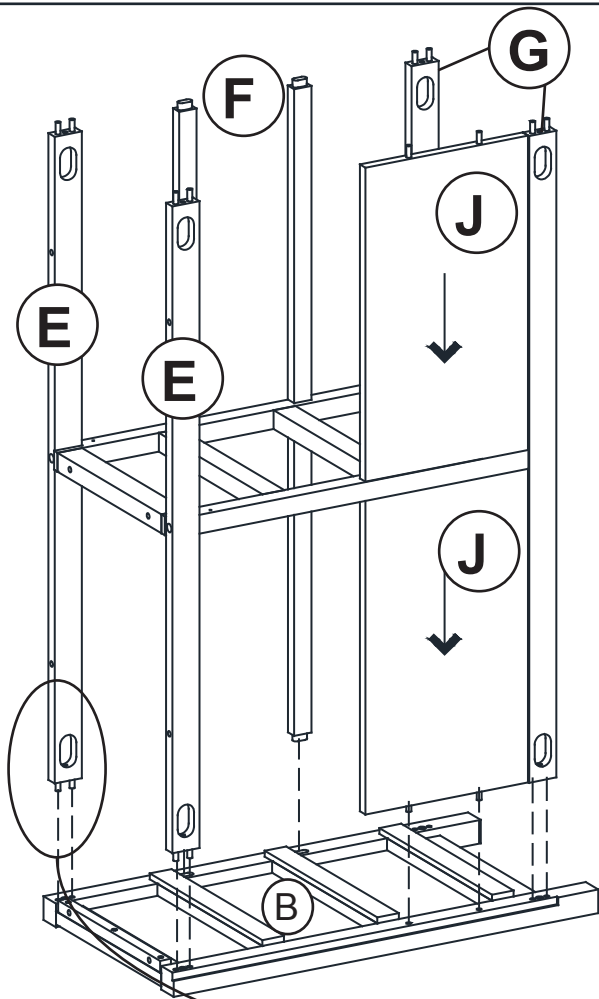
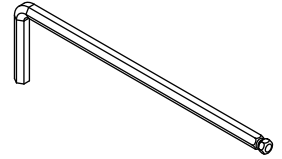
Z Plastic Crescent Washer X4



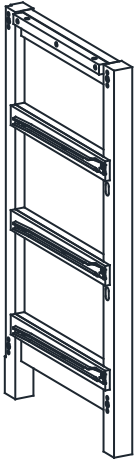
P 1-3/4" Allen head Bolt x4



V Allen Wrench x1

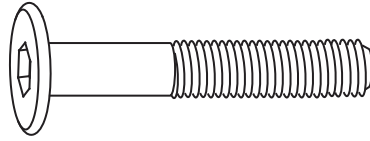


Assembly step 4

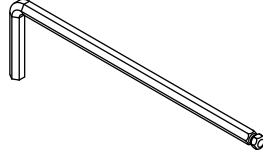


A. Left Side Panel x1

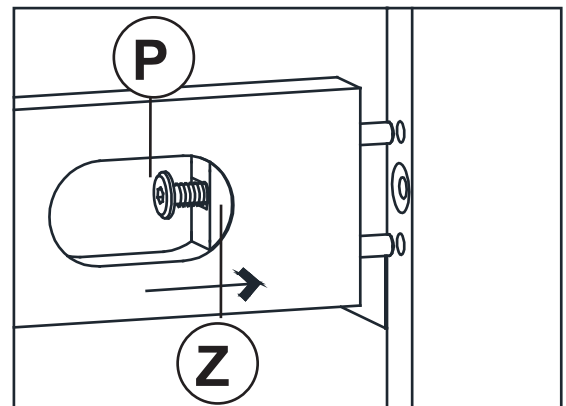
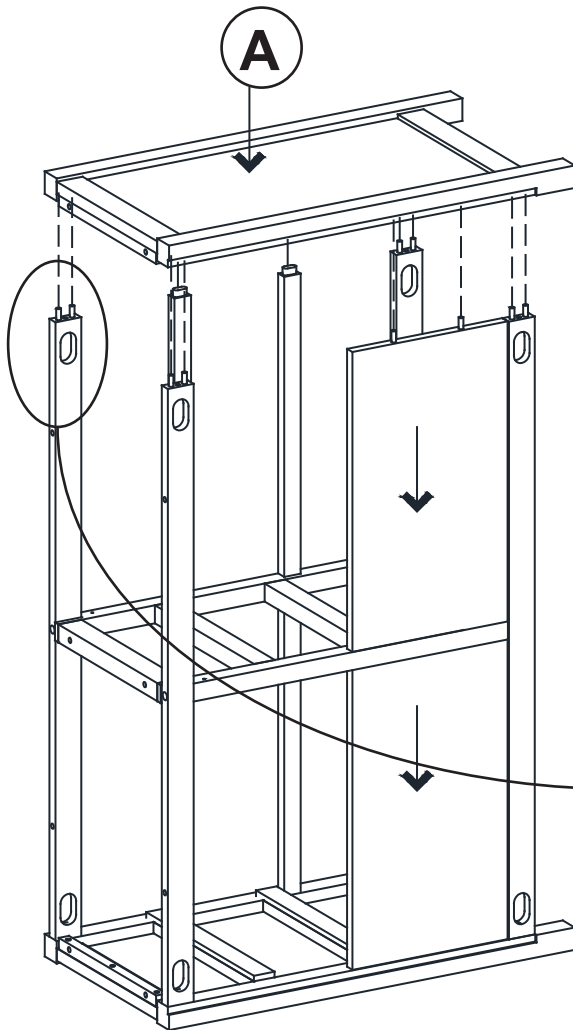
(P) 1-3/4" Allen head Bolt x4



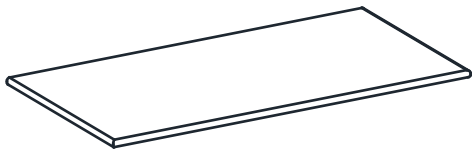
(V) Allen Wrench x1



(Z) Plastic Crescent Washer x4

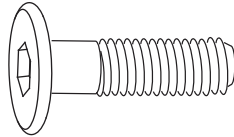


Assembly step 5

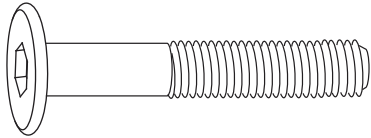


D.Top Panel x1

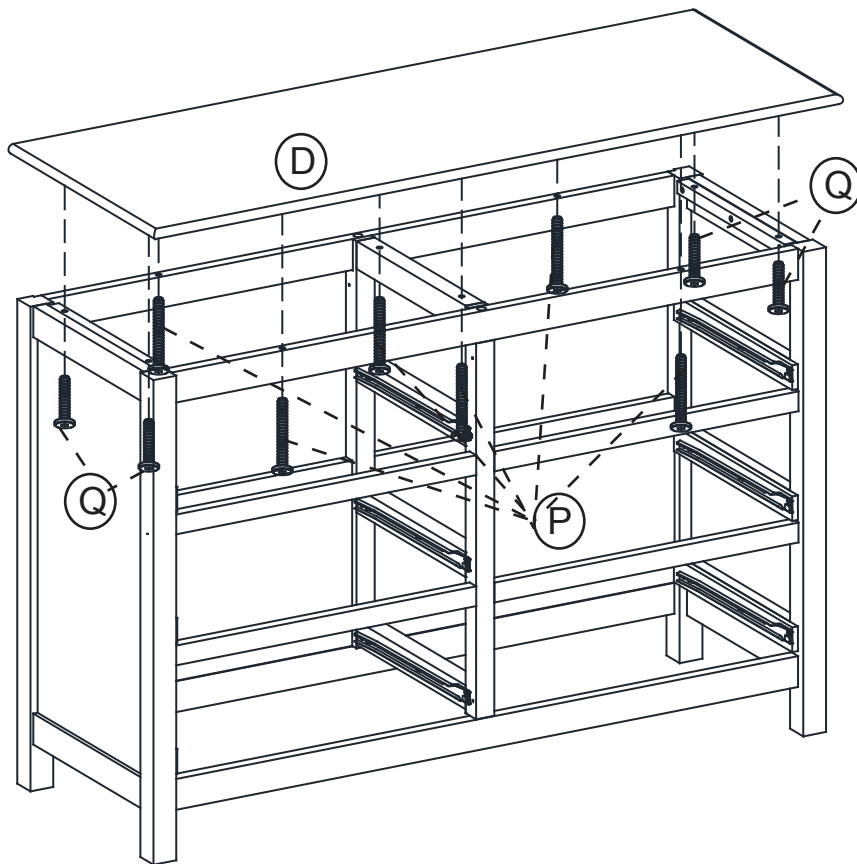
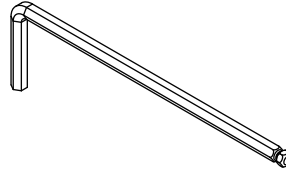
Q 1-1/8" Allen head Bolt x4



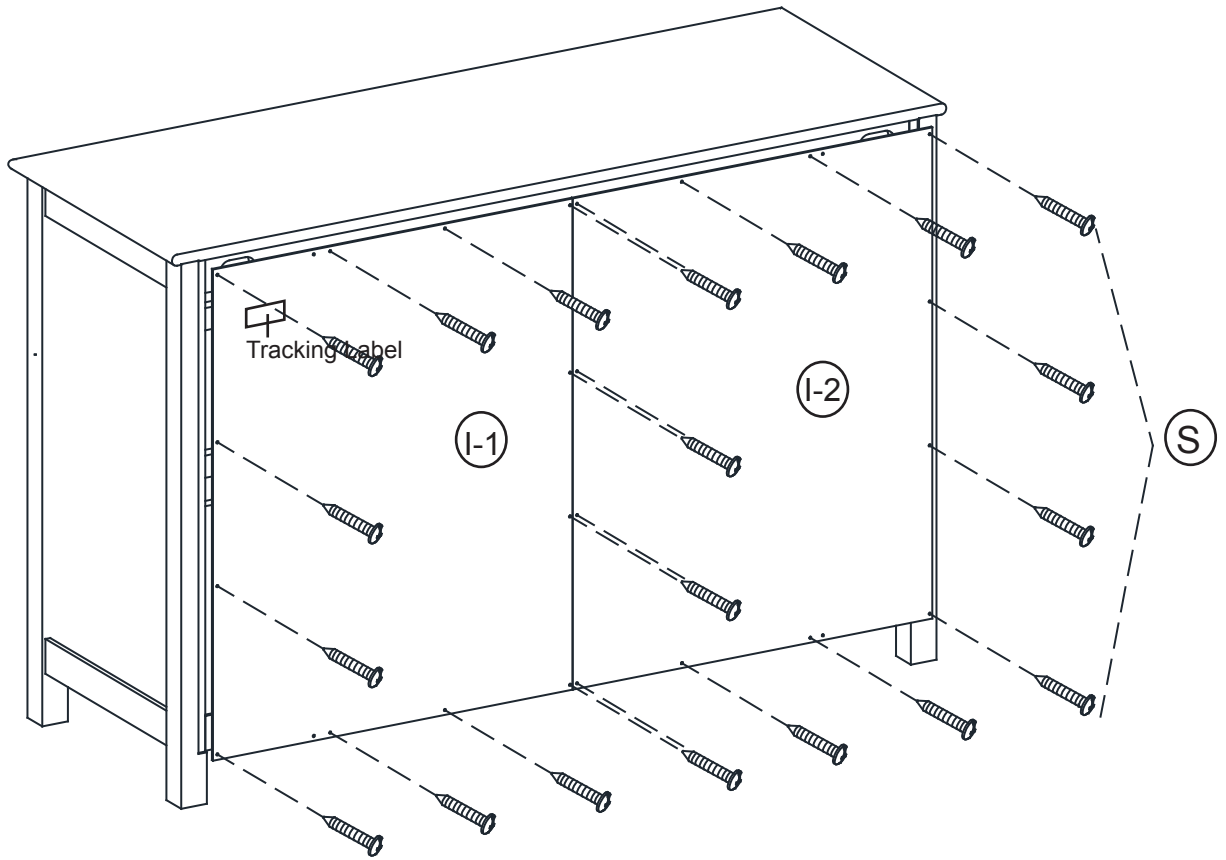
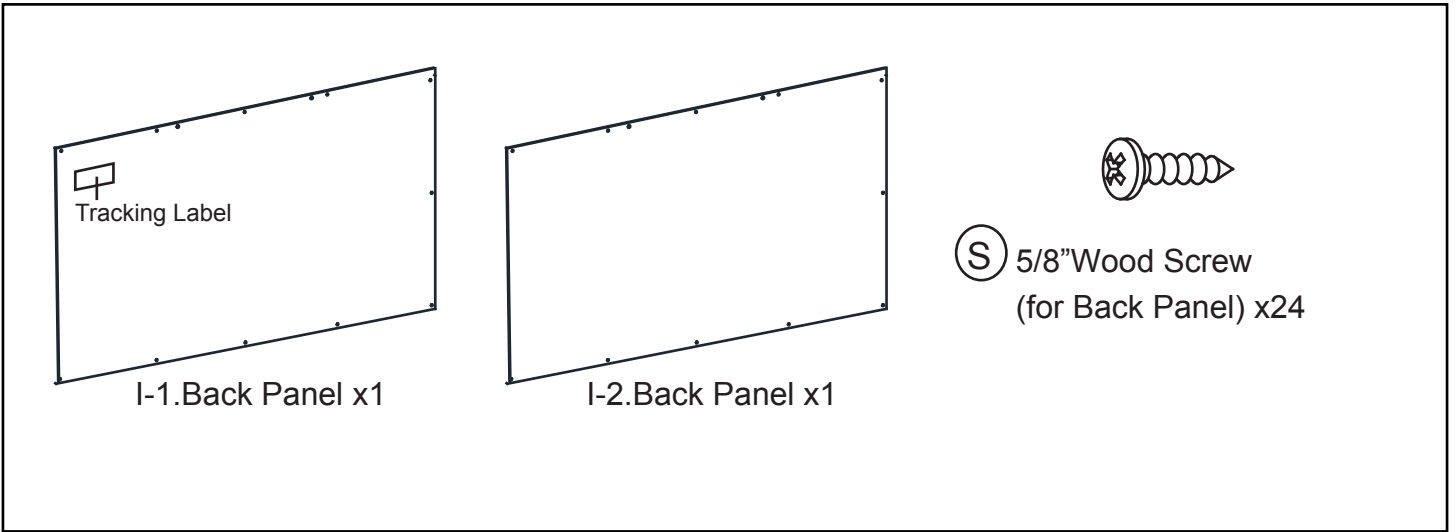
P 1-3/4" Allen head Bolt x6



V Allen Wrench x1



Assembly step 6



Assembly step 7



C. Top Trim x1

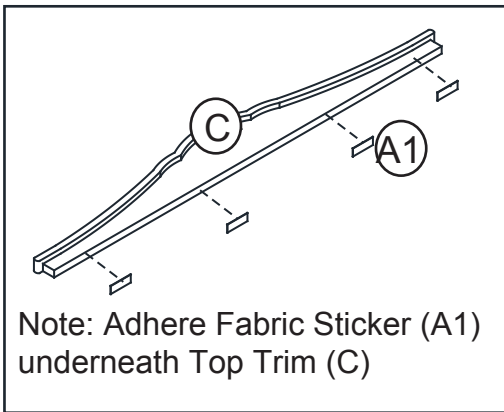
(T) 5/8" Wood Screw (For Metal Plate) x8



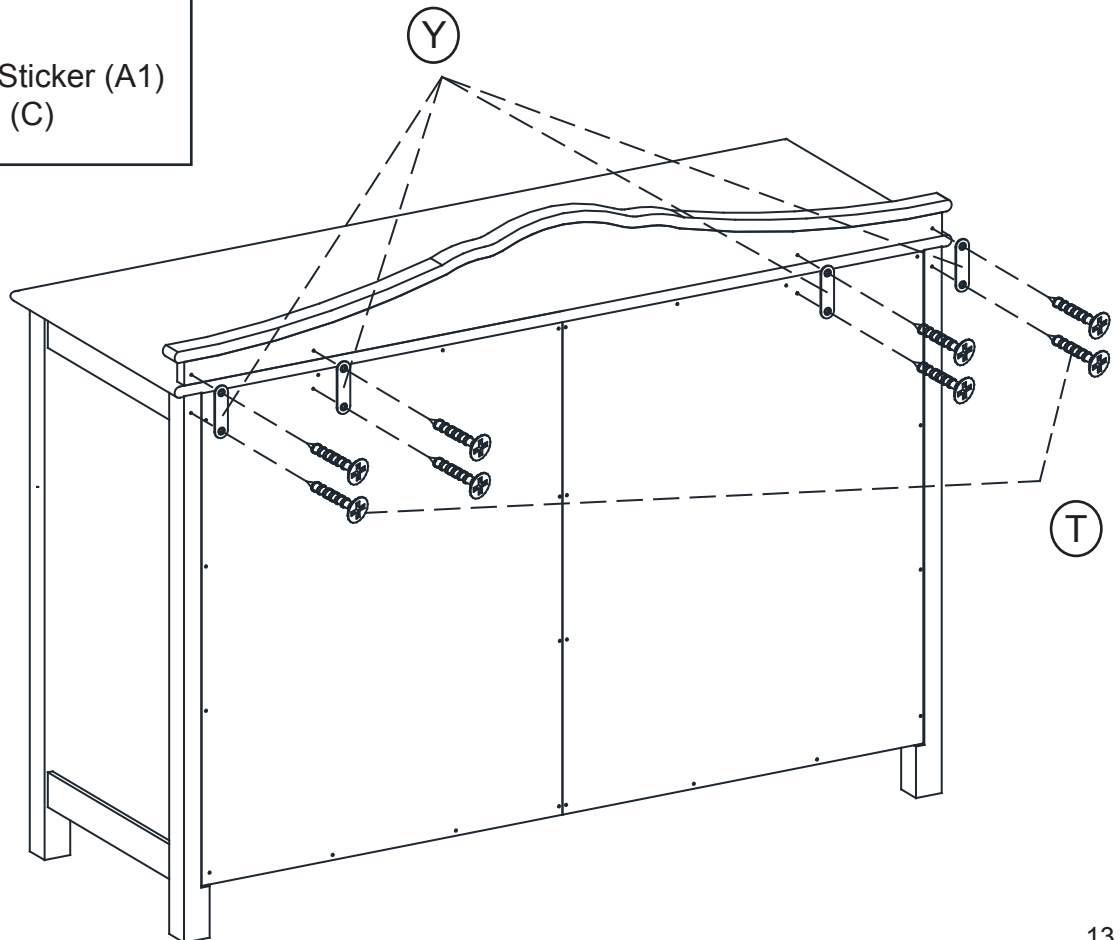
(Y) Iron Plate x4



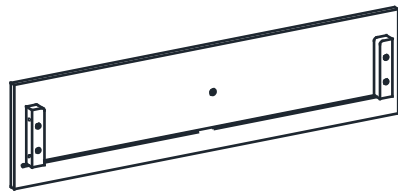
(A1) Fabric Sticker (5/8"x4") x4



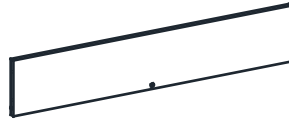
Note: Adhere Fabric Sticker (A1) underneath Top Trim (C)



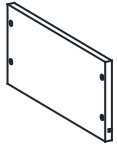
Assembly step 8



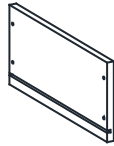
M.Drawer Bottom x6



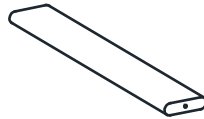
N.Drawer Back x6



L1.Left Drawer Side x6

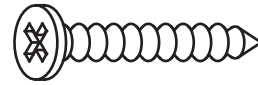


L2.Right Drawer Side x6



O.Drawer Support x6

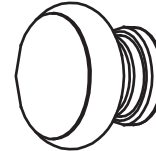
(R) 1-1/4" Wood Screw x54



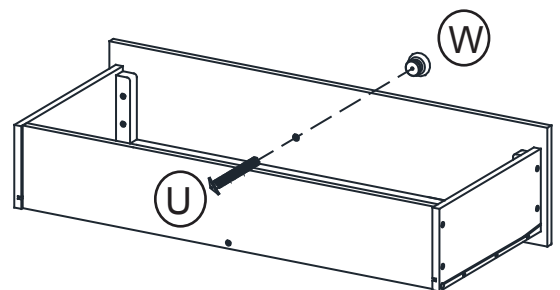
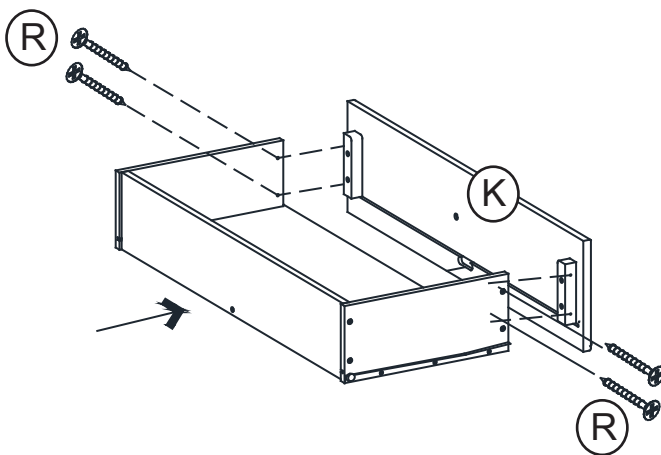
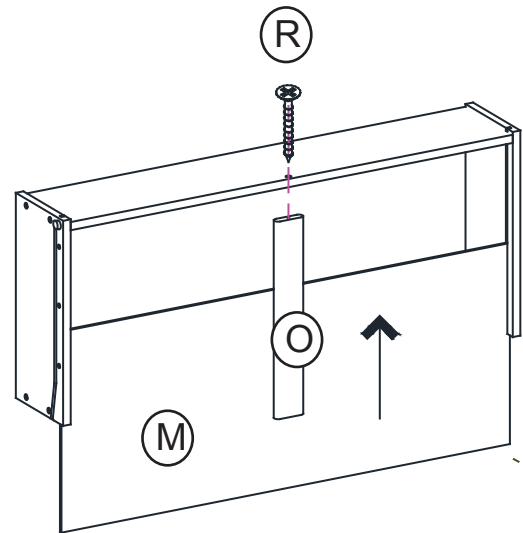
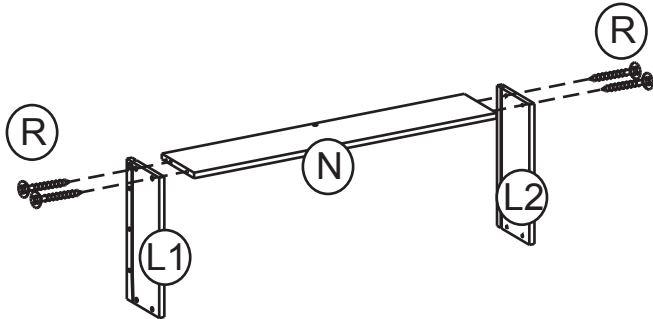
(U) 1" Knob Bolts x6



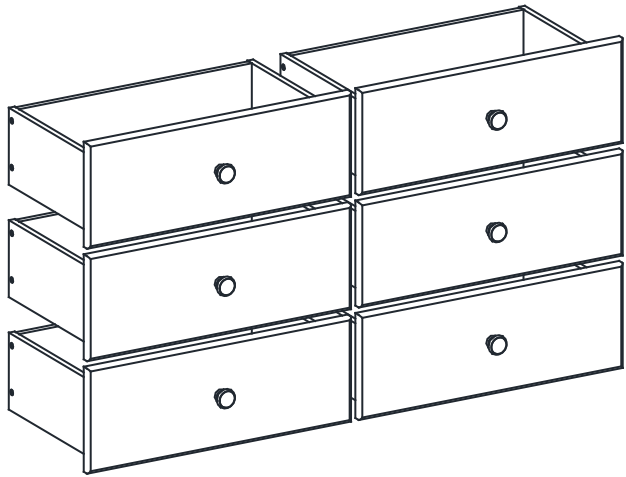
(W) Drawer Knob x6



Note: Grooves on Drawer Sides and Drawer Back should all face inward to allow Drawer Bottom to be inserted. Glides should be on the bottom outside of box.

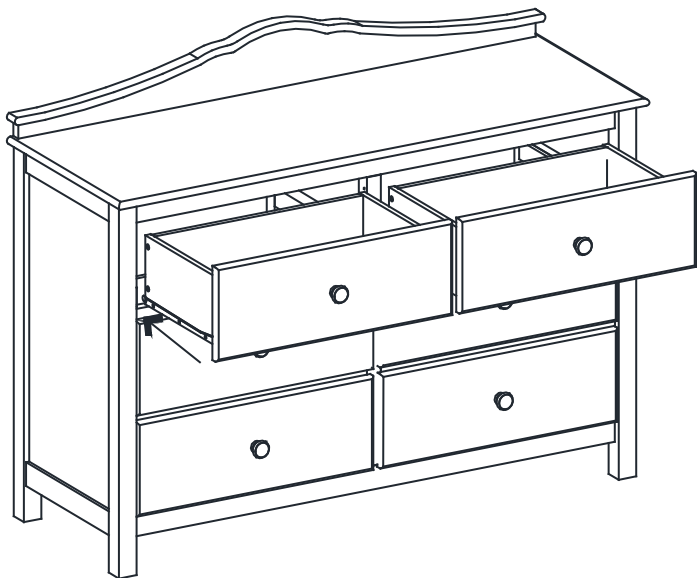
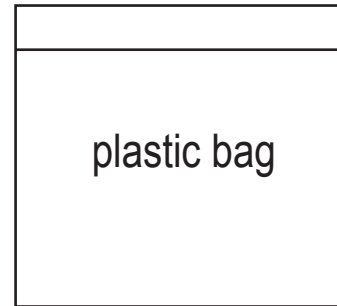


Assembly step 9



Drawer

(A2) Anti-Tip Kit x1 bag
(Instruction and Hardware inside)



Note: Please follow instructions in Anti -Tip Kit when assembly is complete.



Product Assistance Procedures

You have purchased a quality piece of furniture. Our International team has spent many hours designing and engineering this piece and packaging to ensure you will be satisfied with your purchase. But if for any reason you need help with your purchase please contact us at any time.

Procedures to follow should you have any questions:

Most inquiries can be answered by visiting our website. There, you can order parts, find assembly instructions, and get answers to frequently asked questions on all of our brands.

You can also email us. In order for us to provide you with the best service possible, please include the following information in your email:

1. Your Name
2. Address
3. Phone Number
4. Item Number and description of your product
5. PO#
6. Production Date

All product information will be on the product label located on the back of all dressers and other furniture, and on either the inside bottom of the headboard, crib ends, or stabilizer bar of your crib, depending on which model you have.

Someone will contact you via e-mail or phone to help you with your issues.

If you do not have internet access, you can fax your information to us.

If you do not have internet or fax access, please call us at our toll free number.

Be sure to have all of the above information ready to give to your Customer Service Specialist.

Contact Information

In the U.S.A:

Bivona & Company
1460 Route 9 North, Suite 304
Woodbridge, NJ 07095
Toll Free: 1-888-963-8125;
Fax: 732-527-0664
Website: www.bivonaco.com
Email: info@bivonaco.com

In Canada:

ISSI Inc.
2400A Autoroute Transcanadienne
Pointe-Claire, QC, H9R 1B1
Toll Free: 1-800-667-4111;
Fax: 514-344-3296
Website: www.issibaby.ca
Email: service@issibaby.ca

FISHER-PRICE and associated trademarks are owned by and used under license from Mattel. ©2013 Mattel. All Rights Reserved. Manufactured for and distributed by Bivona & Company, LLC 1460 Route 9 North, Suite 304, Woodbridge, NJ 07095
Distributed in Canada by: ISSI Inc., 2400A Autoroute Transcanadienne, Pointe-Claire, QC, H9R 1B1.