

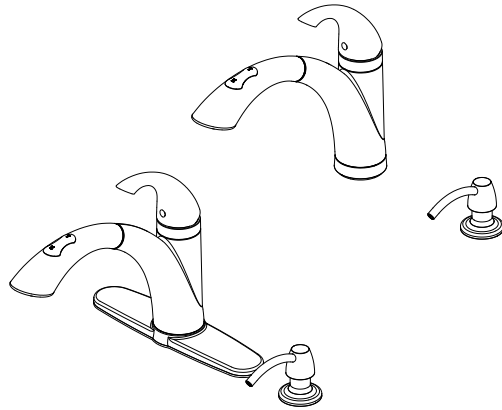


Design House is a registered brand of DHI Corp.

Mequon, WI 53092
1-800-558-8700

BELLEVUE KITCHEN PULLOUT FAUCET

Models 522847, 522854



Your new Design House faucet will give you years of trouble free performance. Thank you for choosing our product for your home. **Please read all of these instructions carefully before installing your new faucet.**

Helpful tools to install this faucet:

- basin wrench
- Teflon tape
- (2) crescent wrenches
- silicon sealer
- flashlight
- faucet supply tubes

IMPORTANT POINTS

- When installing your new faucet, hand tighten the connector nuts, then use one wrench to anchor the fitting and a second wrench to tighten the nut one additional turn. Connections that are too tight will reduce the integrity of the system.
- Wrap threaded connections (except aerator thread in spout or where o-ring or rubber sealant are present) with Teflon tape available from your local hardware or plumbing supply store. Always wrap in a clockwise direction.

SAFETY TIPS

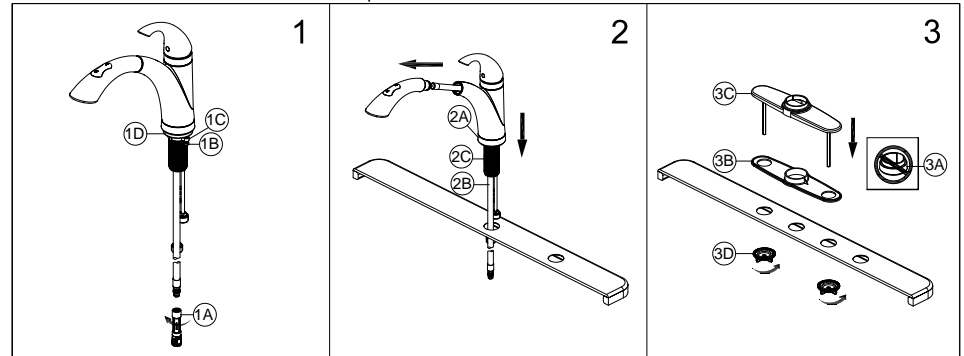
- **ALWAYS** protect your eyes with safety glasses.

INSTALLATION PROCEDURE

1. Shut off water supplies. Remove old faucet. Clean sink surface in preparation for new faucet. Before installation, remove the quick connector (1A) from the free end of the hose by unscrewing it in a counterclockwise direction. Unscrew the screws (1B) and nut (1C), then remove the washer (1D). If installing the faucet assembly without the escutcheon, begin with step 2. If installing the faucet assembly with the escutcheon, begin with step 3.

2. Optional Flange Installation. Before installation, ensure that the flange (2A) is placed on the bottom of the new faucet assembly. Retract the hose (2B) up through the faucet body until the hose fitting is flush with the bottom of shank (2C). Do not pull the hose fitting past the shank. Insert the faucet body through the hole in the sink. **NOTE:** Do not feed the hose (2B) back down through the spout until step 6.

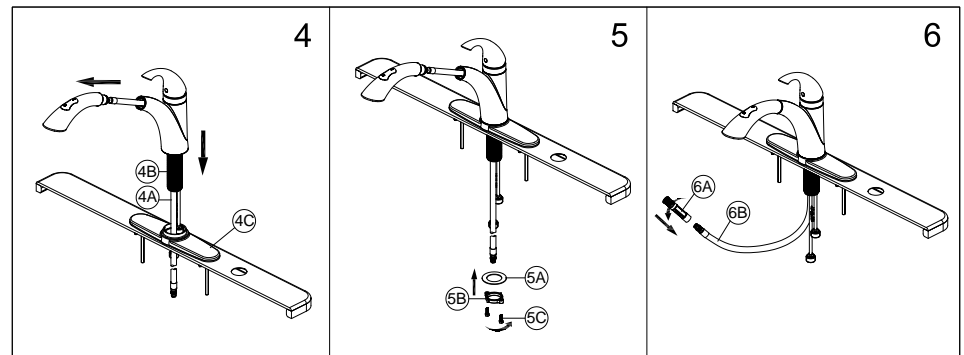
3. Optional Escutcheon Installation. Before installation, remove the flange (3A). Ensure that the base plate (3B) is pressed onto the escutcheon (3C) before the escutcheon (3C) is installed over the three holes in the sink. From underneath sink, hand tighten the mounting nuts (3D). Do not overtighten. **NOTE:** If the sink is uneven, use silicone under the base plate (3B).



4. Optional Escutcheon Installation. Retract the hose (4A) up through the faucet body until the hose fitting is flush with the bottom of shank (4B). Do not pull the hose fitting past the shank. Insert the faucet body through the hole in the escutcheon (4C). **NOTE:** Do not feed the hose (4A) back down through the spout until step 6.

5. Install the washer (5A) onto the threaded mounting shank. Thread the nut (5B) onto the mounting shank. Lock the nut (5B) into position by tightening the screws (5C). Do not overtighten.

6. After inserting the hose through the hole in the sink surface, reattach the quick connector (6A) by screwing it onto the threaded end of the hose (6B) in a clockwise motion. Hand tighten only.

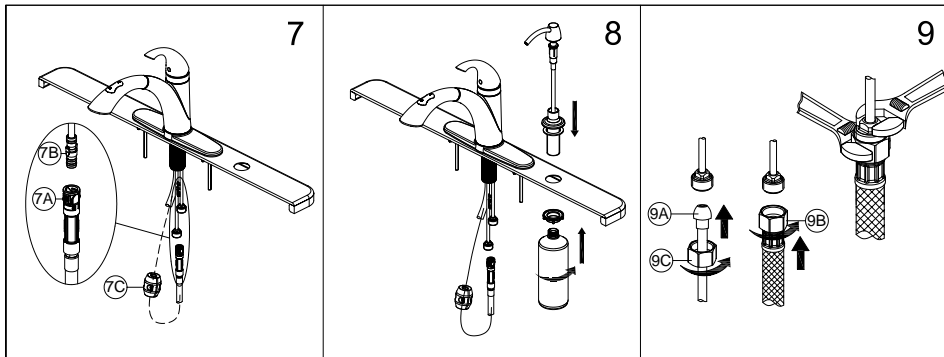


INSTALLATION PROCEDURE

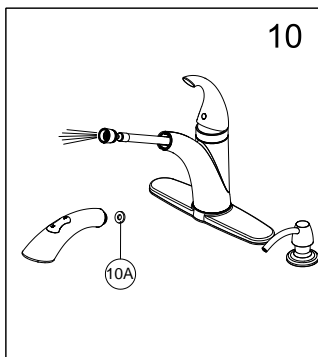
7. Push the quick connector (7A) firmly upward and attach it to the receiving block (7B). Pull down moderately to ensure the connection has been made. If it is necessary to remove the quick connector (7A), squeeze the tabs on the hose and then pull down to disconnect. After connecting the hose, attach weight (7C) to hose at bottom of loop to prevent hose from twisting and return hose to proper position.

8. To Install Soap Dispenser
Remove the bottle. Separate head from body assembly. Make sure flange is properly seated in the base of the body assembly. Insert body assembly through selected hole in sink. Secure body assembly to sink with nut. From under the sink screw the bottle onto the body assembly shank, then attach head assembly.

9. Make Connections to water lines:
Use 1/2 in. I.P.S. faucet connections (9B), or use supply line coupling nuts (9C) (not included) with a 3/8 in. O.D. ball-nose riser (9A). Before tightening the faucet connector to the water supply, apply a second wrench to the supply tube fitting. This will prevent the supply tube from moving or twisting when tightening the faucet connector. Do not overtighten. NOTE: The hot side inlet tube is indicated by a label. If the label is not present, the hot supply tube is the longer of the two inlet tubes.



10. IMPORTANT: After installation is completed, turn on the hot and cold water supply. Check for leaks. Pull the hose assembly out of the spout and remove the spray head by unscrewing it from the hose in a counterclockwise direction. Be sure to hold the end of the hose down into the sink and turn the faucet on to the warm position where it mixes hot and cold water. Flush the water lines for one minute. This flushes away any debris that could cause damage to internal parts. Check for leaks. Re-tighten any connections if necessary, but do not overtighten. Reinstall the spray head by hand tightening it back onto the spray hose.
Note: Do not lose the gasket (10A) in the hose.



TROUBLE SHOOTING

- o 522847 - Satin Nickel
- o 522854 - Brushed Bronze

Problem:

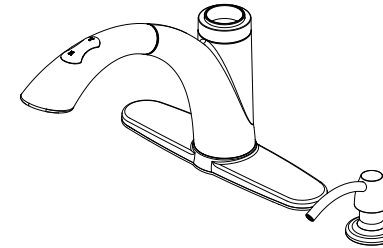
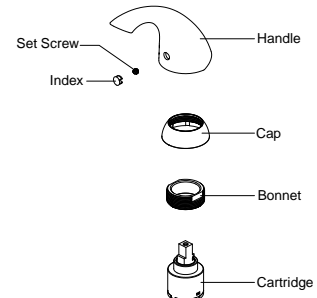
Leaks from under handle and water does not completely shut off.

Cause:

Bonnet is loose or the cartridge is dirty or worn.

Action:

1. Remove the index, loosen the set screw on the handle and remove the handle.
2. Remove the cap and bonnet. Lift the cartridge off body and remove the cartridge seal. Clean the cartridge ports and cartridge seal. Place the cartridge seal into cartridge ports.
3. Replace the cap, bonnet, handle, tighten set screw and reinstall the index.



Many of these parts come preassembled. This exploded diagram is to assist in trouble shooting.

MAINTENANCE

Your new Design House faucet is designed to give you years of trouble free performance. Avoid abrasive cleaners, steel wool and harsh chemicals that will dull the finish and void your warranty.

Brass finishes are polished, then protected with a lacquer coating to help prevent tarnishing. Clean these surfaces only with a damp, soft cloth.

Keep it looking like new by cleaning it periodically with a mild solution of soapy water. Rinse thoroughly and then dry with a soft cloth.

CONSUMER PROTECTION WARNING

Under the Safe Drinking Water Act, the U.S. Environmental Protection Agency restricts the amount of lead used in brass and solder. Your new faucet is made in strict compliance with all government standards. The materials used in the manufacture of this faucet are of industry standard quality and are similar to other plumbing products having brass fittings.

To reduce the amount of lead in your drinking water, allow the water to run for a moment before filling your glass and remember to always use cold water for drinking purposes.