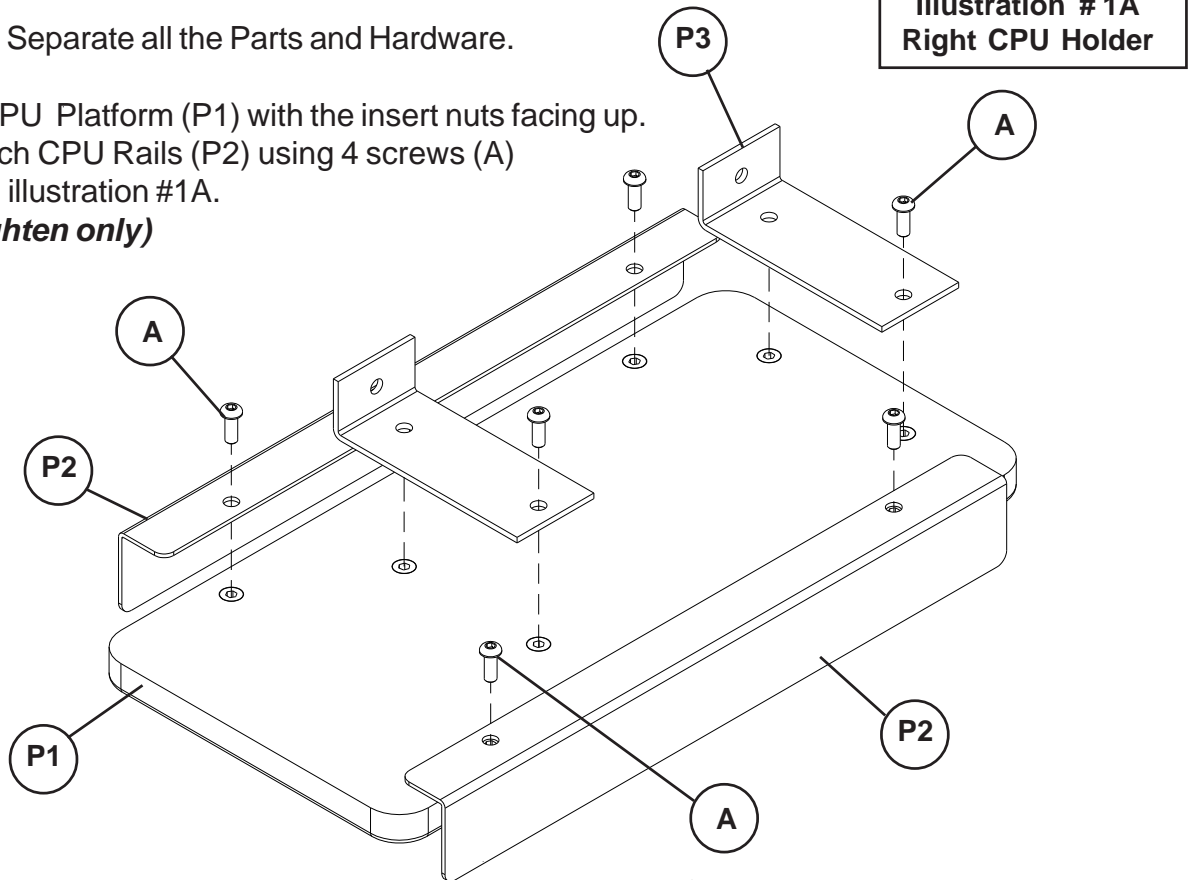


BLT-89849 & BLT-89849B Brawny CPU Holder

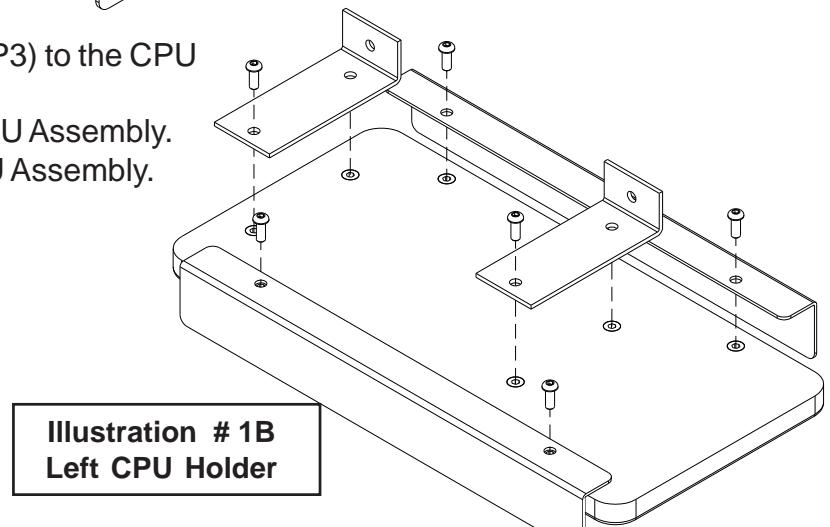
**READ THROUGH INSTRUCTIONS FROM BEGINNING
TO END BEFORE STARTING TO ASSEMBLE UNIT.**

- 1.) Identify and Separate all the Parts and Hardware.
- 2.) Place the CPU Platform (P1) with the insert nuts facing up.
Attach 2 each CPU Rails (P2) using 4 screws (A)
as shown in illustration #1A.
(Finger tighten only)

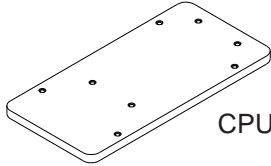
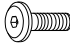
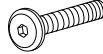

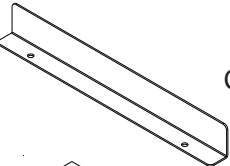
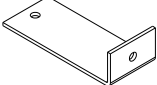


- 3.) Attach 2 each CPU MTG Brackets (P3) to the CPU Platform (P1) using 2 screws (A).
See illustration #1A for Right Leg CPU Assembly.
See illustration #1B for Left Leg CPU Assembly.

(Finger tighten only)



#89849

Part	Drawing	Description	Qty	Part	Drawing	Description	Qty
P1		CPU Platform	1 EA	Hardware List A  Screw M6x15MM 8 EA B  Screw M6x45MM 2 EA C  Allen Wrench 1 EA			
P2		CPU Rail	2 EA				
P3		CPU MTG Bracket	2 EA				

4.) Attach 1 each CPU Assembly to the top of Leg Insert on Brawny 60x30 or 36x30 using 2 Screws (A) and 2 Screws (B) as shown in illustration #2.

5.) Tighten all the screws at this time using Allen Wrench (E).

