

# Toulouse Cot bed



**e a s t**  
**c o a s t**

east coast nursery ltd.

# IMPORTANT

## RETAIN FOR FUTURE REFERENCE: READ CAREFULLY

Please read the instructions and warnings carefully before use to ensure safe and satisfactory operation of this product.

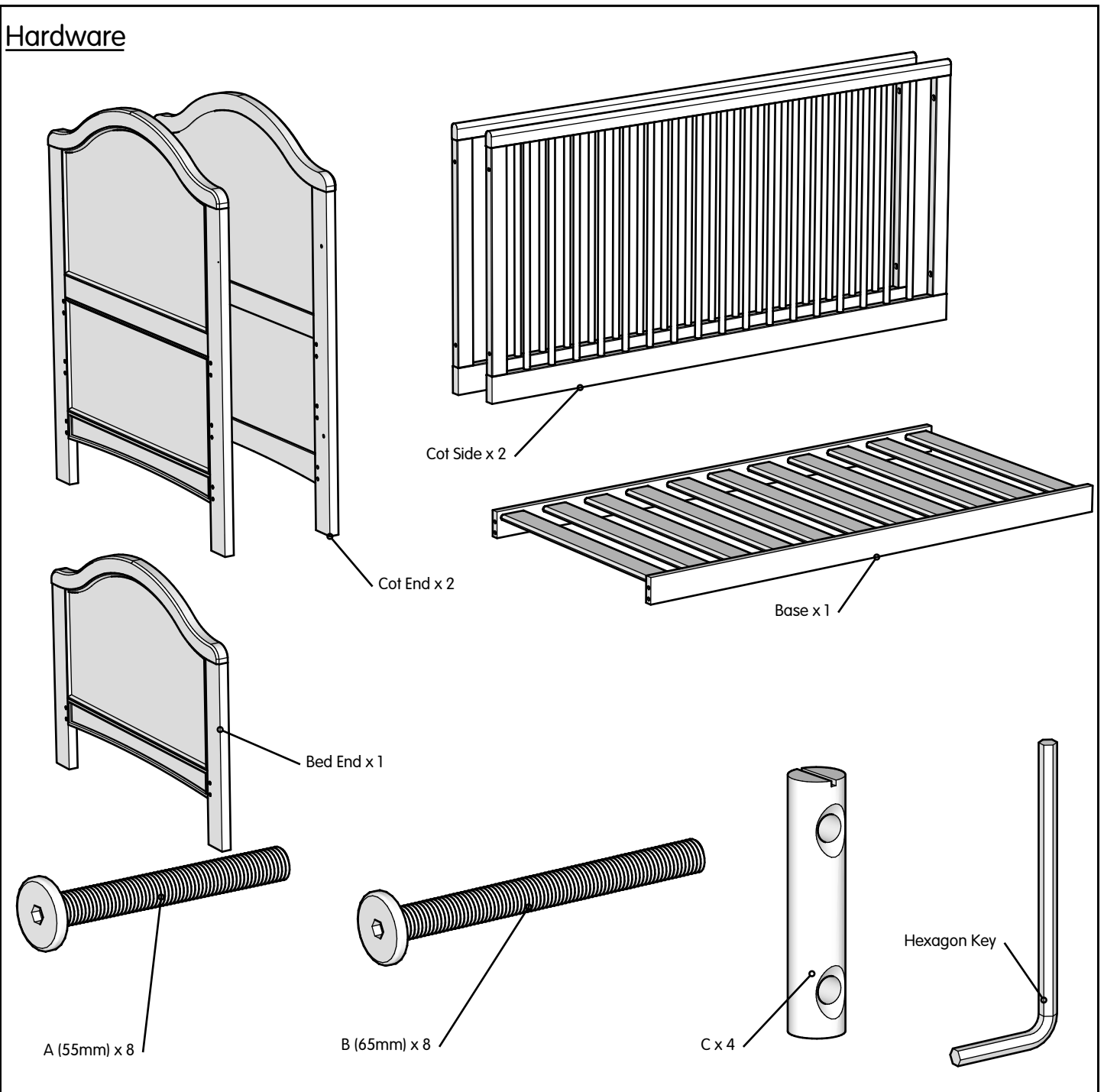
Your child's safety is your responsibility. If you have a query with this product or require replacement parts, please contact 01692 408802.

Lay out the parts on a soft level surface and compare to the part/fixing checklist below. Do not discard any packaging until you are sure that you have all the parts.

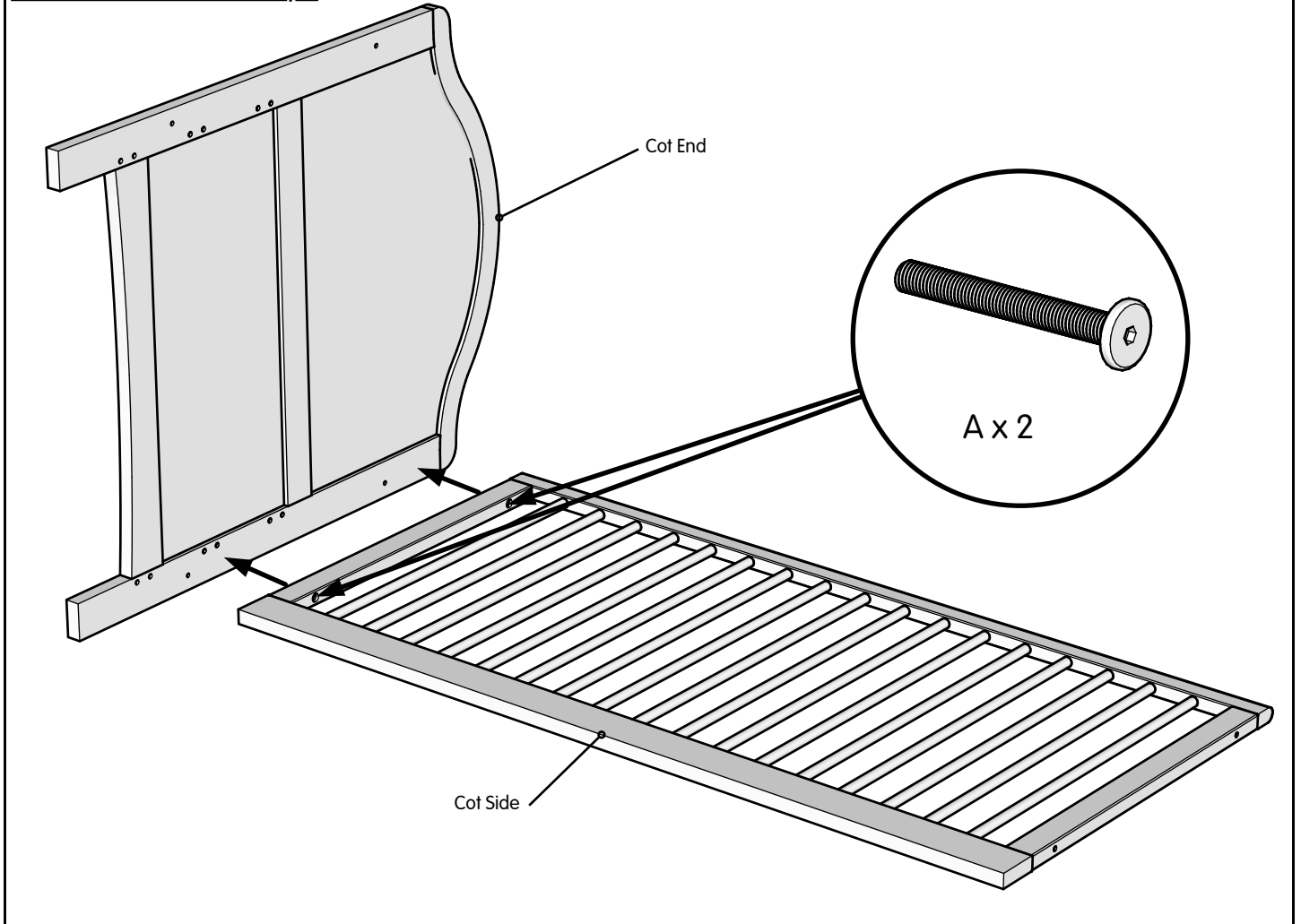
Keep children clear during assembly as pack contains small parts which may present a choking hazard.

You will need the following tools to complete assembly:

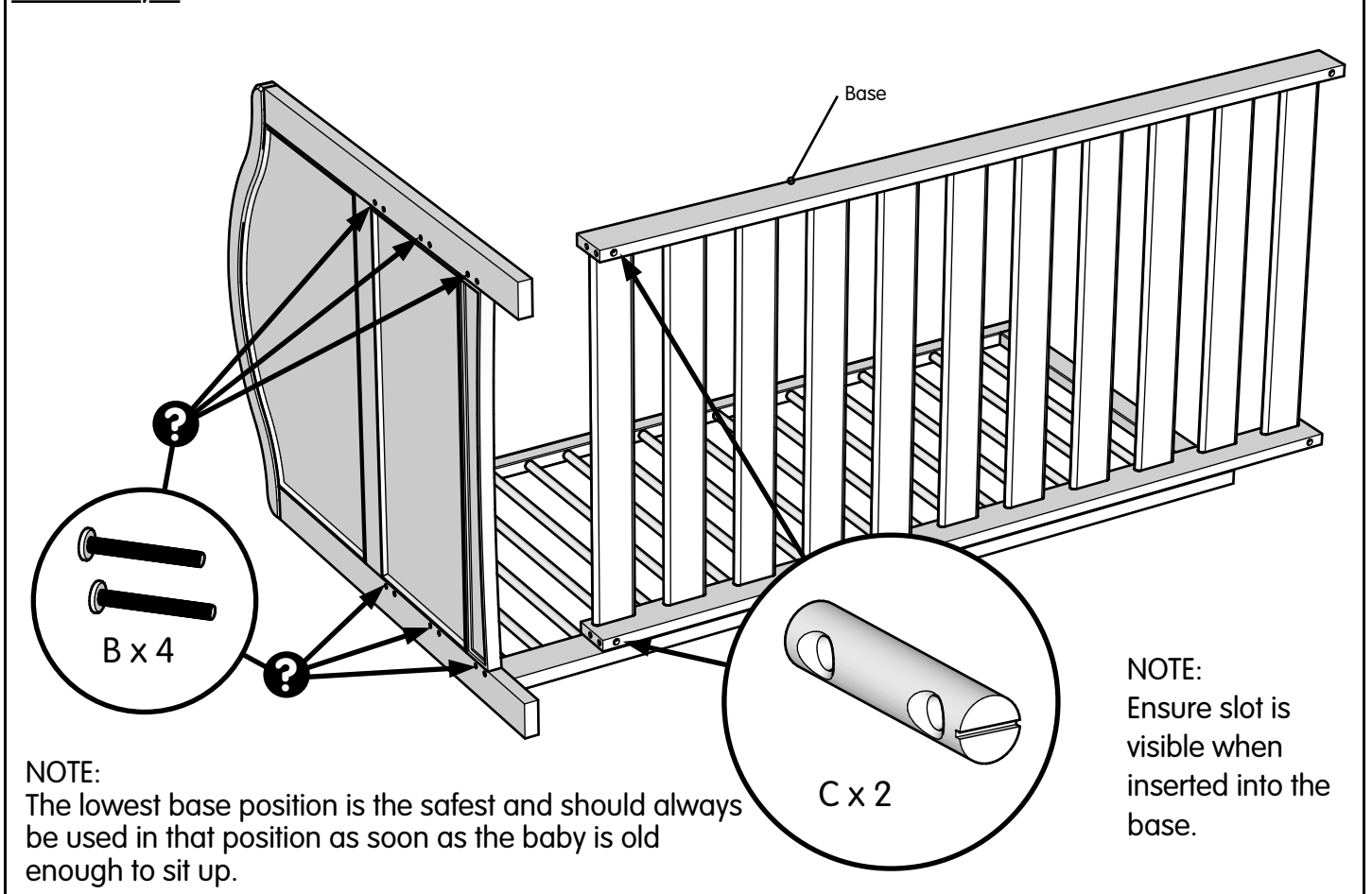
Flat-headed screwdriver.



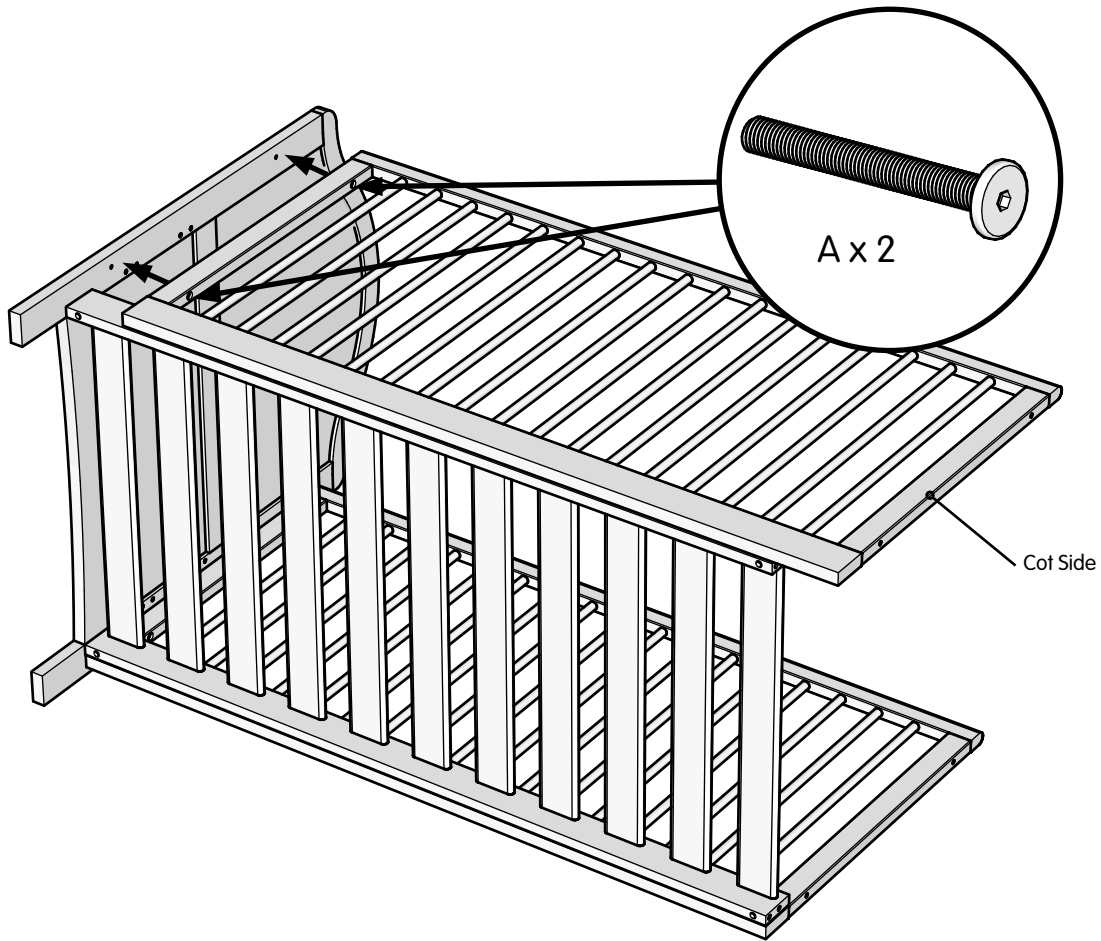
## Cot Mode: Assembly 1



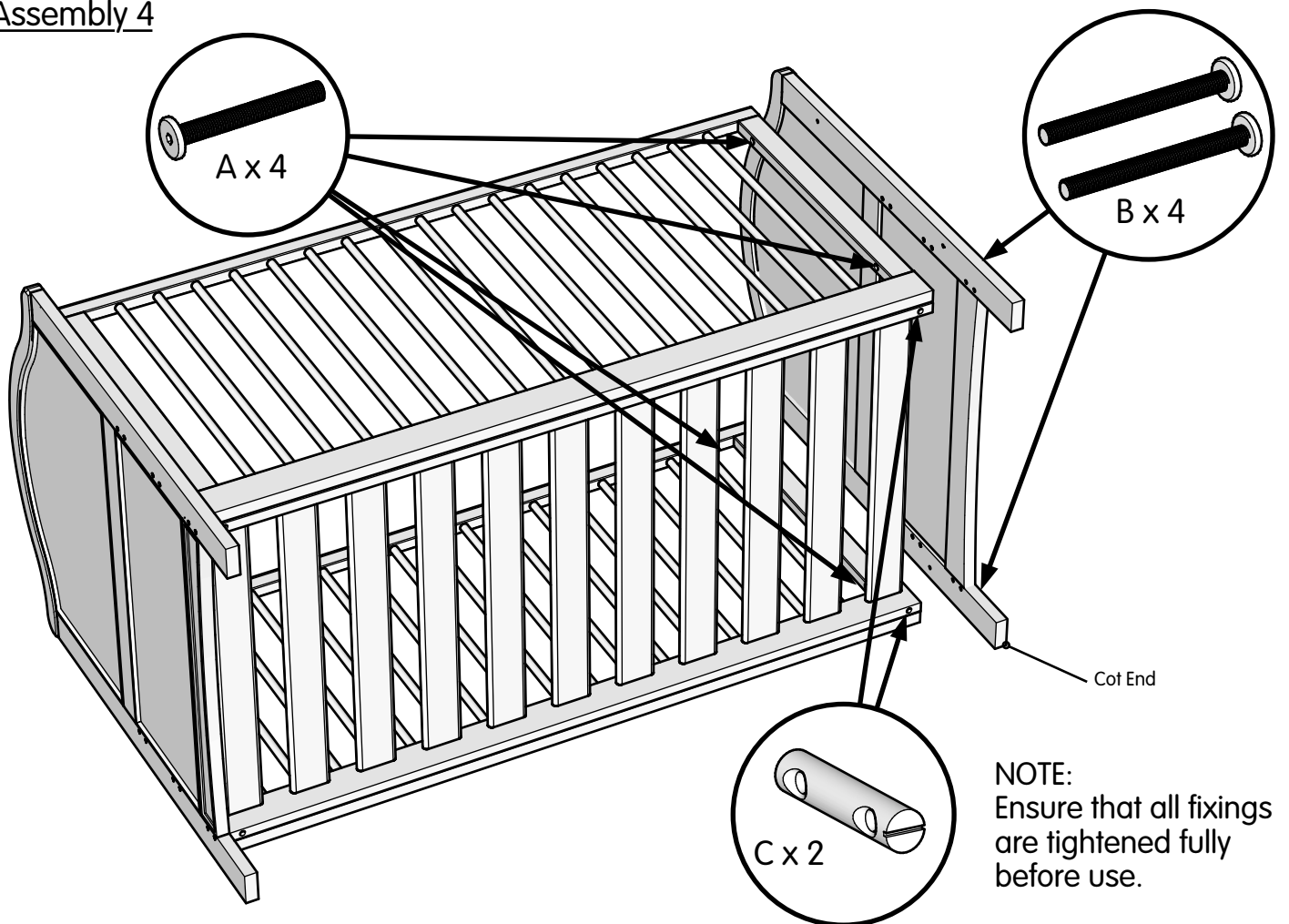
## Assembly 2



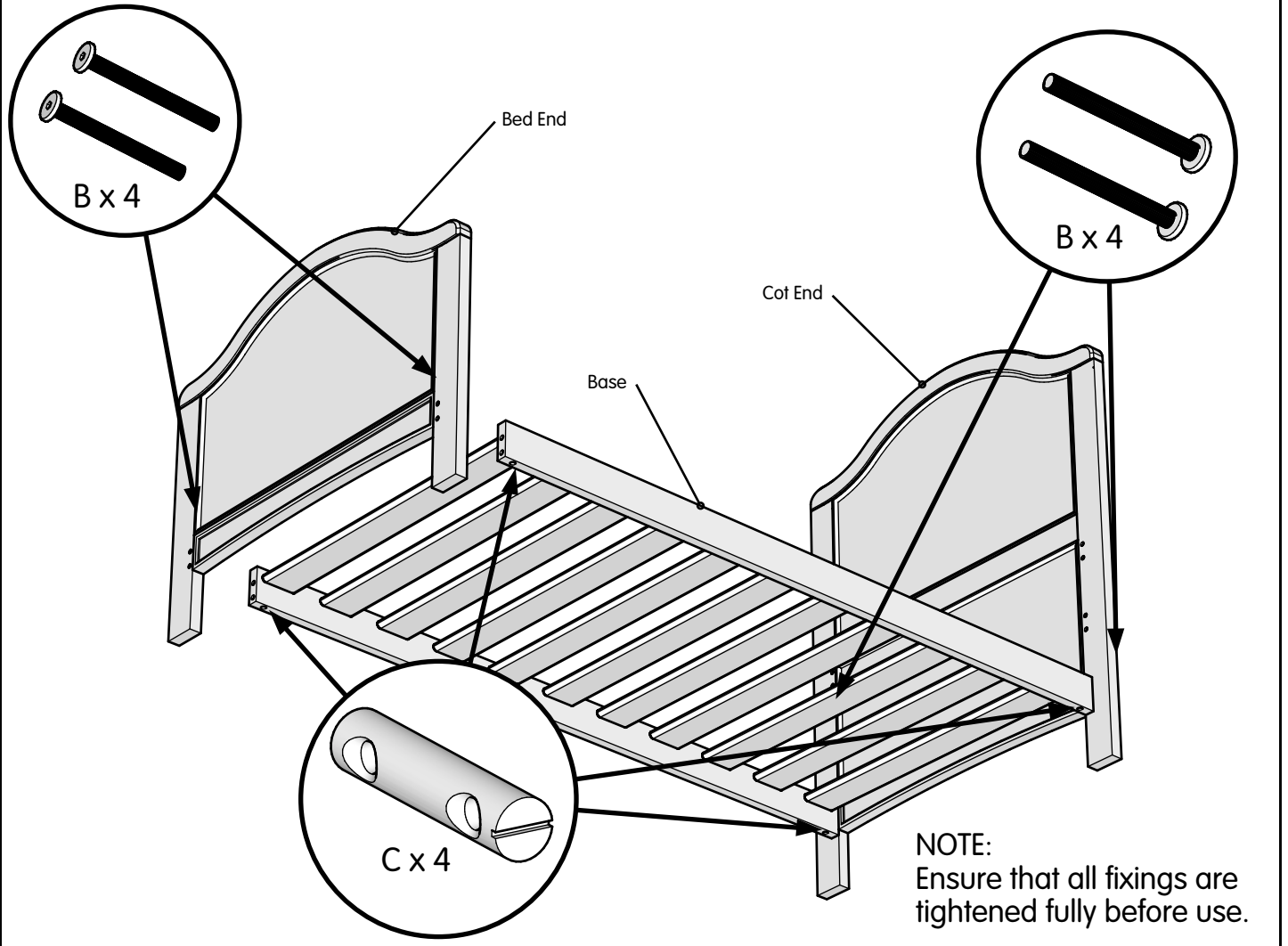
Assembly 3



Assembly 4



Bed Mode: Assembly



## Care & maintenance

All assembly fittings should be tightened properly and should be checked regularly and re-tightened as necessary.

To clean use a damp cloth, avoiding the use of strong detergents or abrasives.

An occasional light application of a wax polish will help maintain a good appearance.

## In use

The base can be adjusted in height in cot mode, but the lowest position is the safest and should always be used in that position as soon as the baby is old enough to sit up.

This product is suitable for a mattress of 1400mm in length and 700mm in width.

When used in cot mode, the maximum thickness of the mattress is 100mm.

The length and width of the mattress shall be no less to ensure the gap between the mattress and the sides and ends does not exceed 30mm.

The thickness of the mattress shall be such that the internal height (surface of the mattress to the upper edge of the cot frame) is at least 500mm in the lowest position of the cot base and at least 200mm in the highest position of the cot base.

To prevent injury from falls, the cot should no longer be used for the child once they are able to climb out of the cot.

The bed mode is suitable for a child from 18 months to 4 years old.

Children are likely to play, bounce, jump and climb on beds, therefore the child's bed should not be placed too close to other furniture or windows, blind cords, curtain pulls or other strings or cords.

It should be placed either tight to any wall or have a gap of 300mm between the wall and the side of the bed.

## **WARNING: YOUR CHILDREN'S SAFETY IS YOUR RESPONSIBILITY**

This product has been designed and manufactured to: BS EN 716-1:2008 +A1:2013 in cot mode and BS 8509: 2008 +A1: 2011 in bed mode.

Warning: Do not use the cot or bed if any part is broken, torn or missing and use only spare parts approved by the manufacturer.

Warning: Do not leave anything in the cot or place the cot close to another product, which could provide a foothold or present a danger of suffocation or strangulation, e.g. strings, blind/curtain cords, etc.

Warning: Do not use more than one mattress in the cot.

Warning: Be aware of the risk of open fires and other sources of strong heat, such as electric bar fires, gas fires, etc. near the vicinity of the cot.

Warning: Do not place the child's bed near heat sources, windows or other furniture.

This product can be dismantled carefully for storage and transportation.

Customer Care line for this Product 01692 408802

# east coast

East Coast Nursery Ltd. Robertson House, North Walsham, Norfolk, NR28 0BX  
[www.eastcoastnursery.co.uk](http://www.eastcoastnursery.co.uk)