

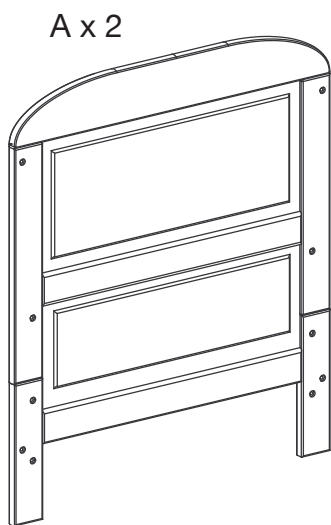
# ANGELINA COT BED



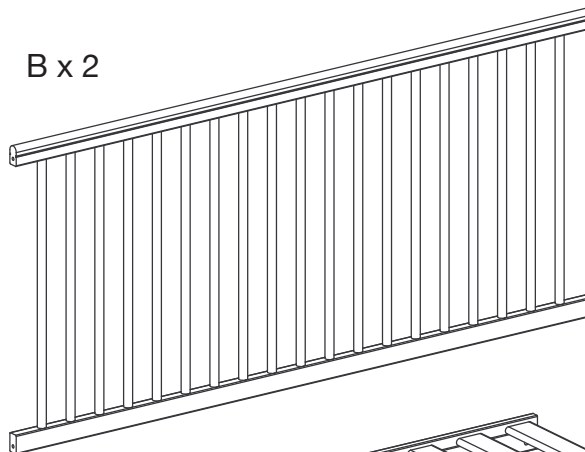
e a s t  
c o a s t

# IMPORTANT RETAIN FOR FUTURE REFERENCE: READ CAREFULLY

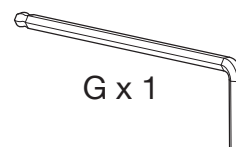
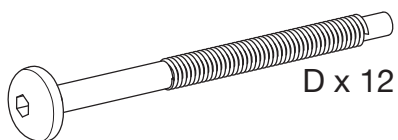
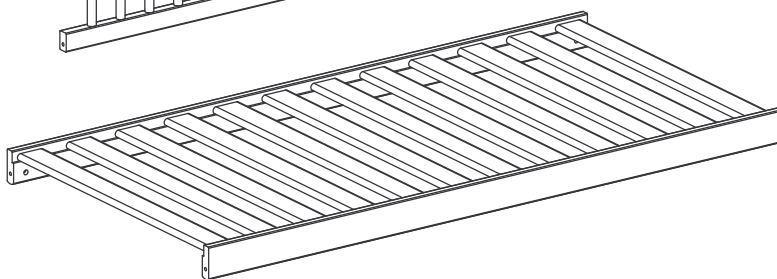
The help of an assistant will aid assembly



B x 2



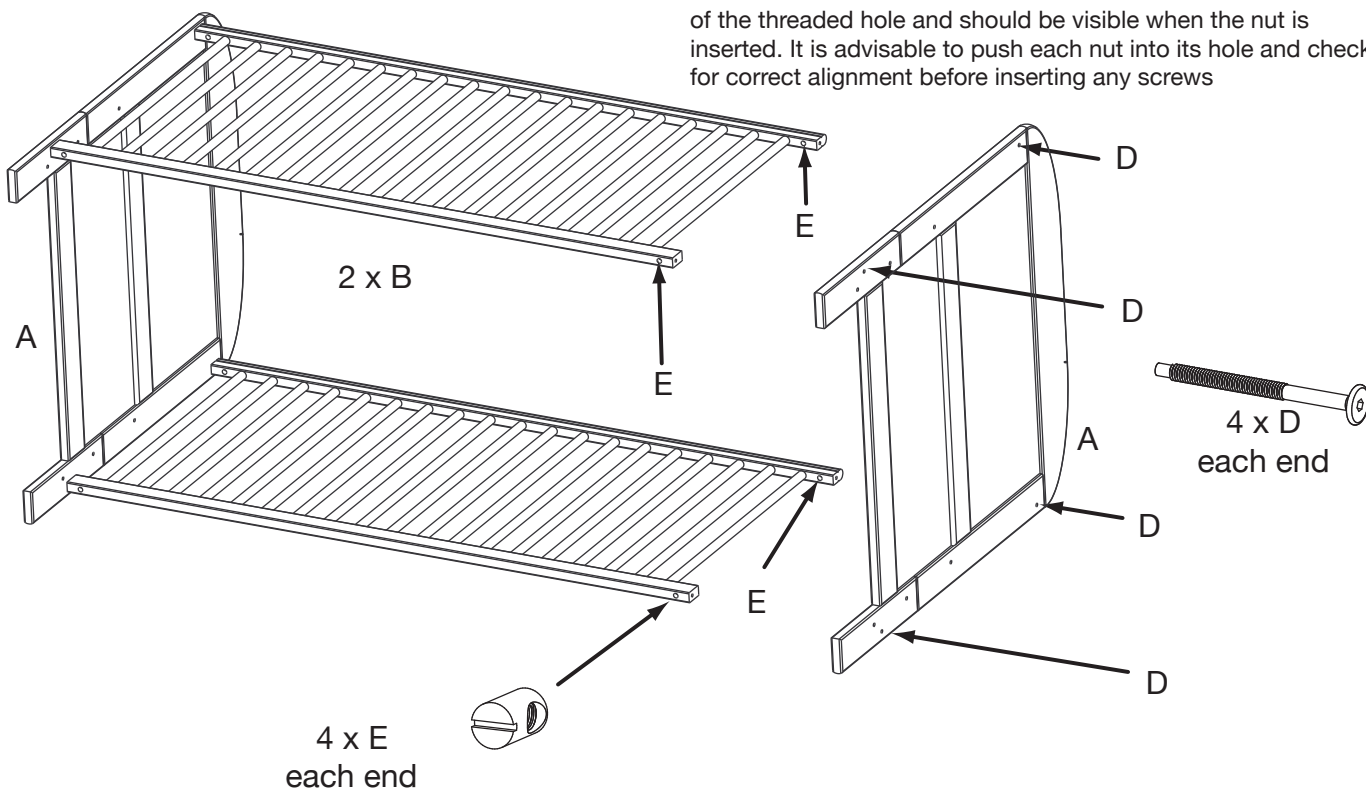
C



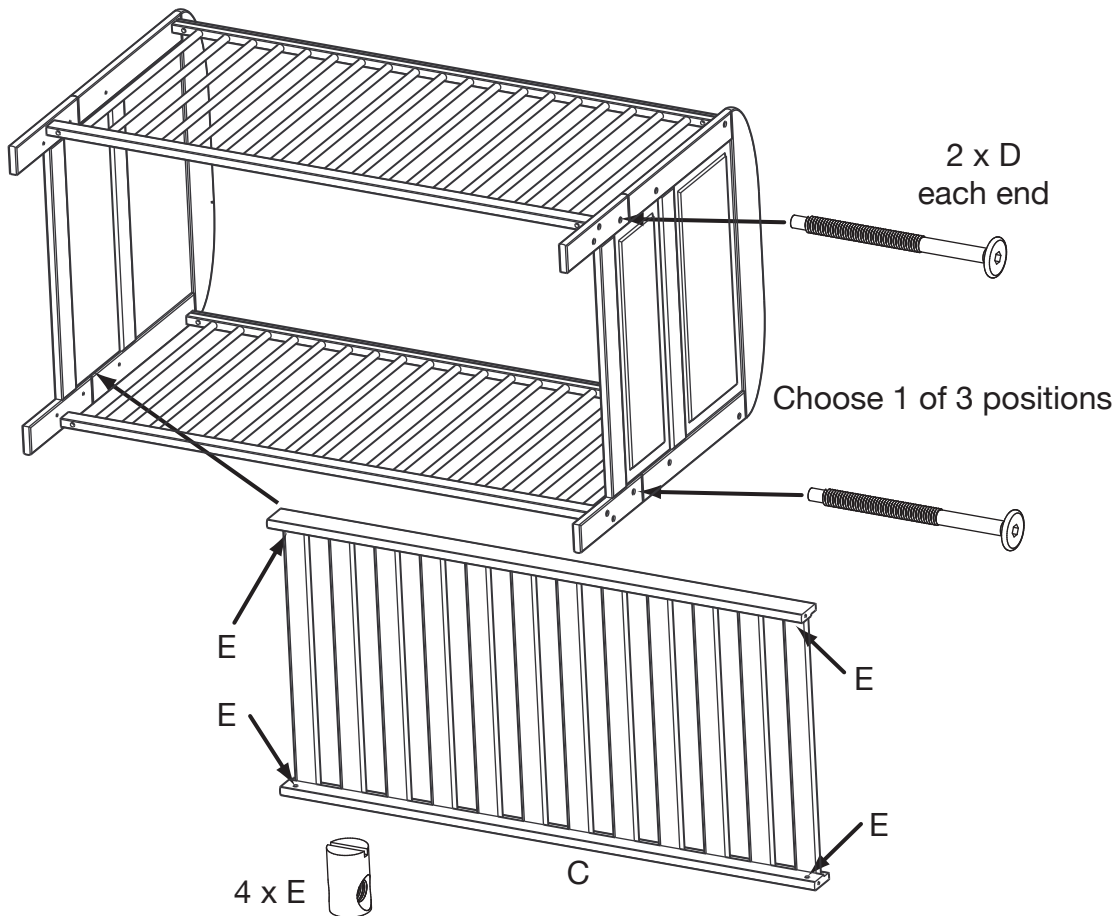
PLEASE DISPOSE OF PACKAGING MATERIAL.  
PLASTIC BAGS CAN BE DANGEROUS TO YOUNG CHILDREN

## COT ASSEMBLY

The dowel nuts (parts E) fit into the holes in the sides and base. The slot on one end of the nut indicates the direction of the threaded hole and should be visible when the nut is inserted. It is advisable to push each nut into its hole and check for correct alignment before inserting any screws

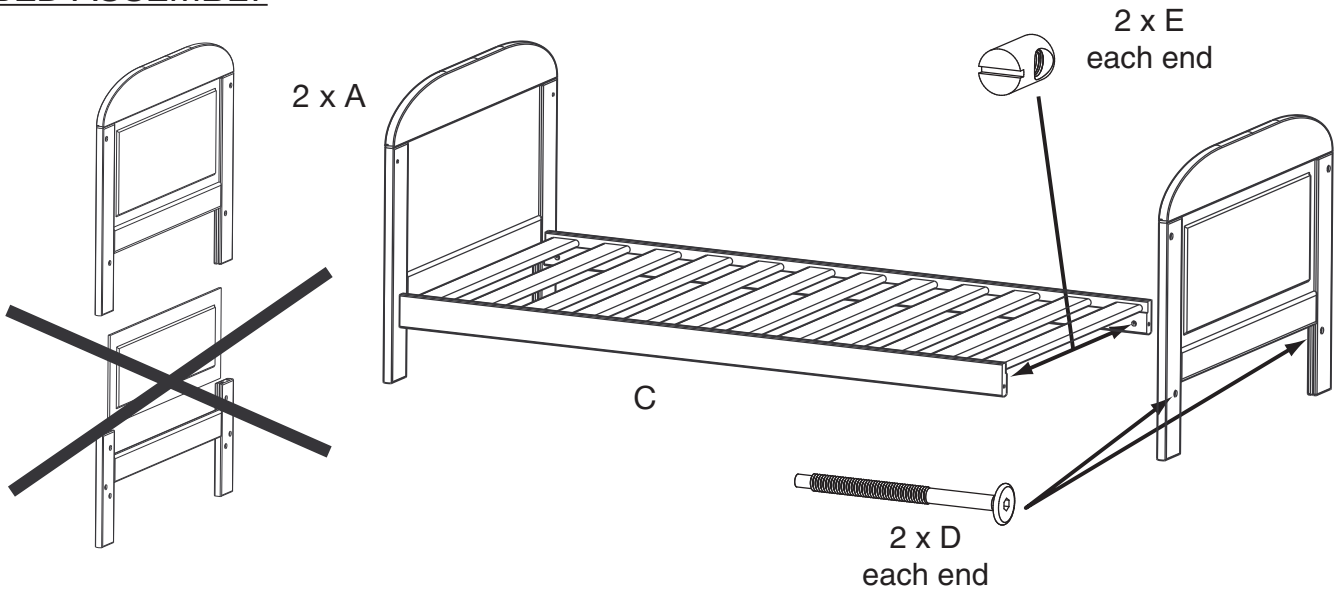


Do not fully tighten screws at this stage



When assembly has been completed, fully tighten all screws.

### BED ASSEMBLY



WARNING: Do not place this child's bed near heat sources, windows and other furniture.  
 WARNING: Do not use this child's bed if any of the parts are broken, torn or missing.

## IN USE

The base can be adjusted in height in cot mode, but the lowest position is the safest and should always be used in that position as soon as the baby is old enough to sit up.

This product is suitable for a mattress of 1400mm in length and 700mm in width. When used in cot mode, the maximum thickness of the mattress is 100mm.

The length and width of the mattress shall be no less to ensure the gap between the mattress and the sides and ends does not exceed 30mm.

The thickness of the mattress shall be such that the internal height (surface of the mattress to the upper edge of the cot frame) is at least 500mm in the lowest position of the cot base and at least 200mm in the highest position of the cot base.

To prevent injury from falls the cot should no longer be used for the child once they are able to climb out of the cot.

The bed mode is suitable for a child from 18 months to 4 years.

Children are likely to play, bounce, jump and climb on beds, therefore the child's bed should not be placed too close to other furniture or windows, blind cords, curtain pulls or other strings or cords. It should be placed, either tight to any wall or have a gap of 300mm between the wall and the side of the bed.

## CARE AND MAINTENANCE

All assembly fittings should be tightened properly and should be checked regularly and re-tightened as necessary.

To clean use a damp cloth, avoiding the use of strong detergents or abrasives.

An occasional light application of a wax polish will help maintain a good appearance.

### **WARNING: YOUR CHILDREN'S SAFETY IS YOUR RESPONSIBILITY**

This product complies with BS EN 716-1: 2008 + A1: 2013 and BS 8509: 2008 + A1: 2011

Warning: Do not use the cot or bed if any part is broken, torn or missing and use only spare parts approved by the manufacturer.

Warning: Do not leave anything in the cot or place the cot close to another product, which could provide a foothold or present a danger of suffocation or strangulation, e.g. strings, blind/curtain cords, etc.

Warning: Do not use more than one mattress in the cot.

Warning: Be aware of the risk of open fires and other sources of strong heat, such as electric bar fires, gas fires, etc. near the vicinity of the cot.

WARNING: Do not place the child's bed near heat sources, windows and other furniture.

This product can be carefully dismantled for storage and transportation.

In the case of assembly difficulties, missing parts or other queries, please contact the Customer Care Hotline for this product on:  
01692 408802

# east coast

East Coast Nursery Ltd.  
Robertson House, North Walsham, NORFOLK NR28 0BX

ACB 004