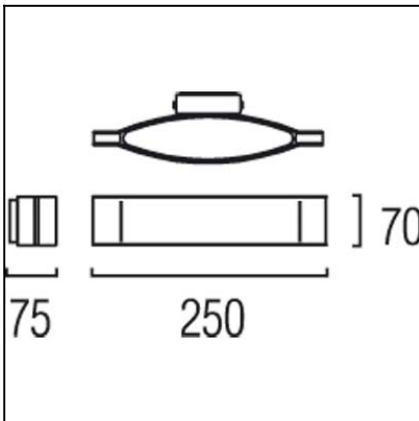


Design by Estudi Ribaudí



The photograph may not match the reference exactly. Please read the product description to identify the finish.



TECHNICAL CHARACTERISTICS

Type:	Wall fixture
IP Protection degrees:	IP20
Lampholder:	1 x R7s
Power (W):	R7s MAX 150W
Bulb included:	1 x R7s 120W
Total power consumption (W):	150
Voltage / Frequency:	220-240V/50-60Hz
Units per box:	6
Net Weight (Kg):	1.25
EAN:	8435111040836



MATERIALS / FINISHES

Structure material:	Steel	Diffuser material:	Glass
		Diffuser finish:	Sandblasted