

# Assembly Instructions

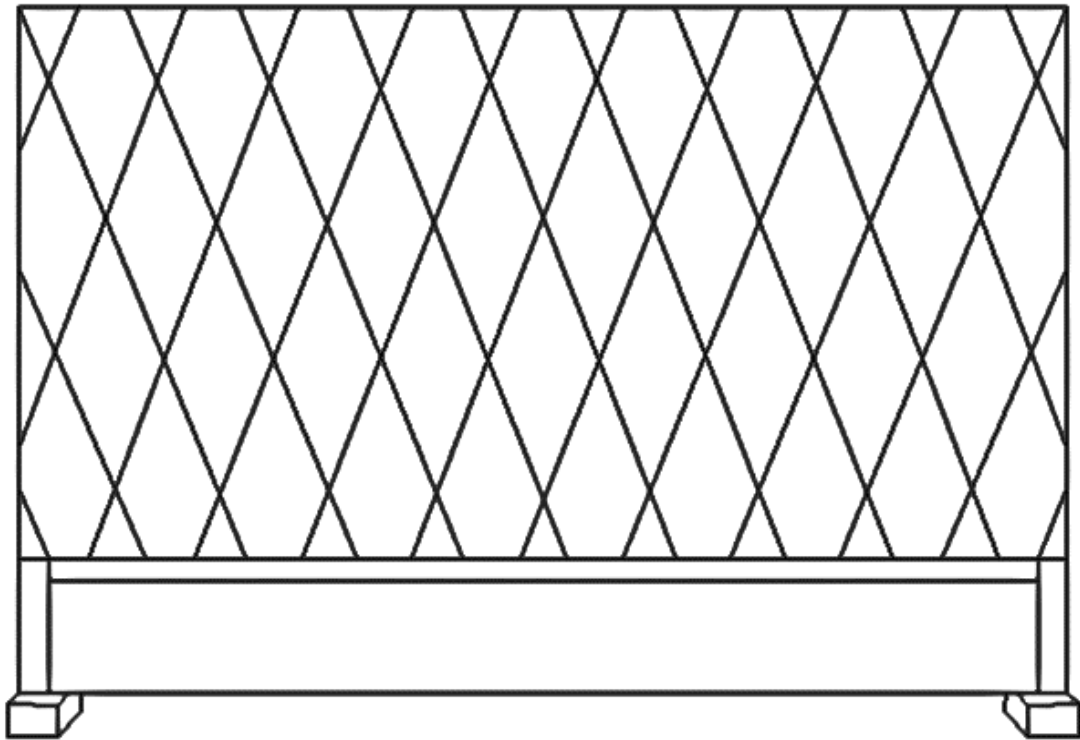
Caution : You must read this before you proceed.

The Headboard and its Parts are Heavy.

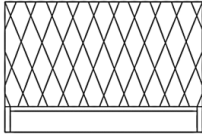
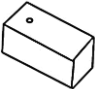
At least two adults are required for lifting and moving them.

This Headboard must be used in conjunction with a Mattress Support Frame  
(not included and not supplied with this Headboard)









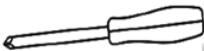
## Headboard



## Parts List

Part NO.	Picture	Description	Qty
A		Foldable Headboard	1
B		Leg	2

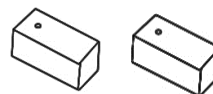
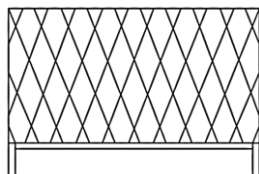
## Hardware

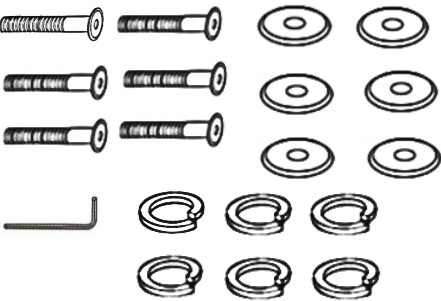
Label	Picture	Description	Qty
①		Bolt (M8X50mm)	6
②		Washer	6
③		Spring Washer	6
④		Allen Key	1
⑤		Screw (2cm self-tapping)	2
⑥		Screw (5cm self-tapping)	2
⑦		Restraint Strap	4
⑧		Metal Bracket	4
⑨		Screwdriver	not provide






## Assembly Preparation

Before Beginning Assembly:

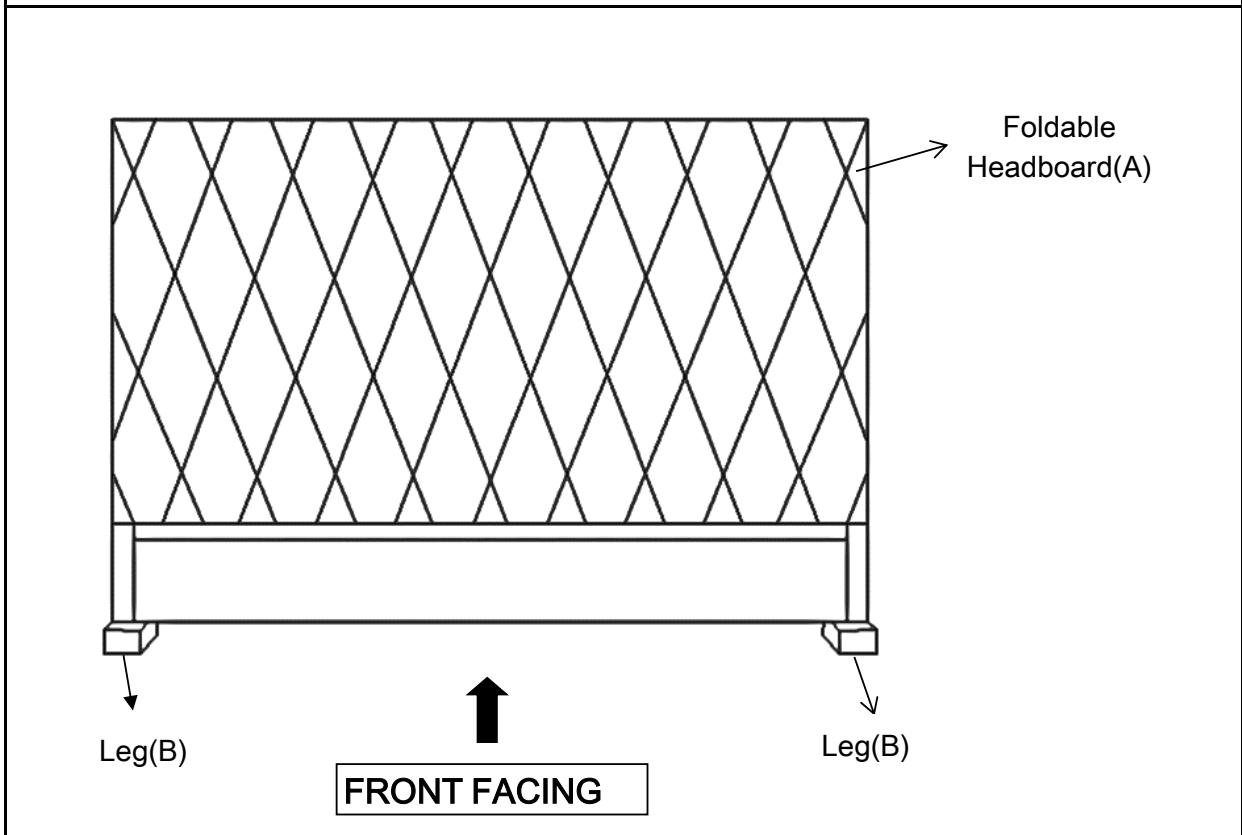
Unpack and place all parts for clear visibility.



<p><b>Pack A: For assembling the Feet to the Headboard</b></p>	<p><b>Bolt(①)</b>  <b>Washer(②)</b>  <b>Spring Washer(③)</b>  <b>Allen Key(④)</b></p>	
--	---	--

-  • Read instructions, cover to cover-
-  • Have 2 adults on hand for assembly-
-  • Do not assemble on flooring or carpet-
-  • Assemble on a clean non-marring surface (packing foam)-
-  • Save all packaging until finished-

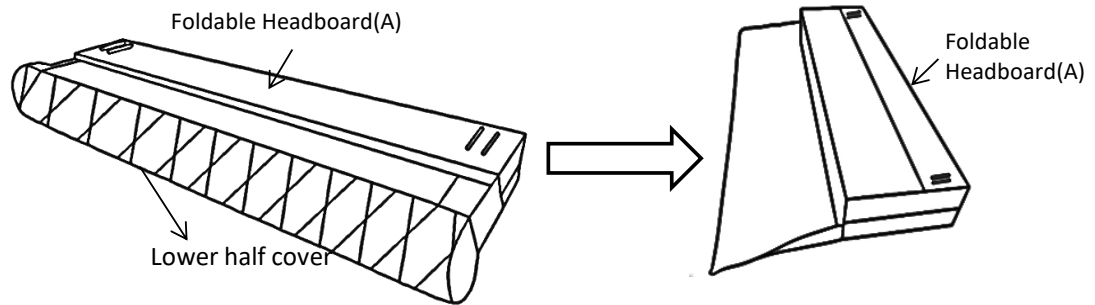
## Assembly Steps



This Headboard has multiple parts and may require up to 30 minutes to assemble. To give you an overview of the Headboard parts, the above picture is to help you put the various parts into perspective. Please read through the instructions below to familiarise yourself with the parts and steps before

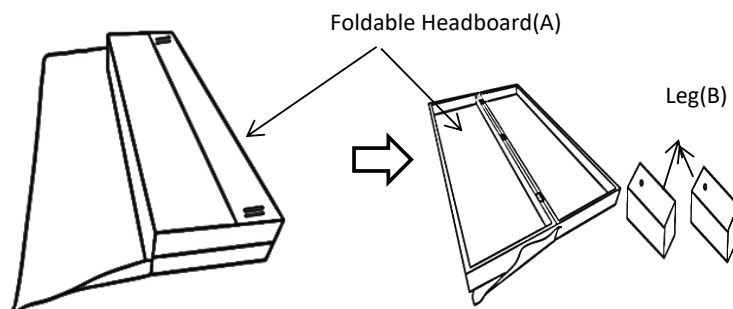
## Assembly Steps

### Step 1



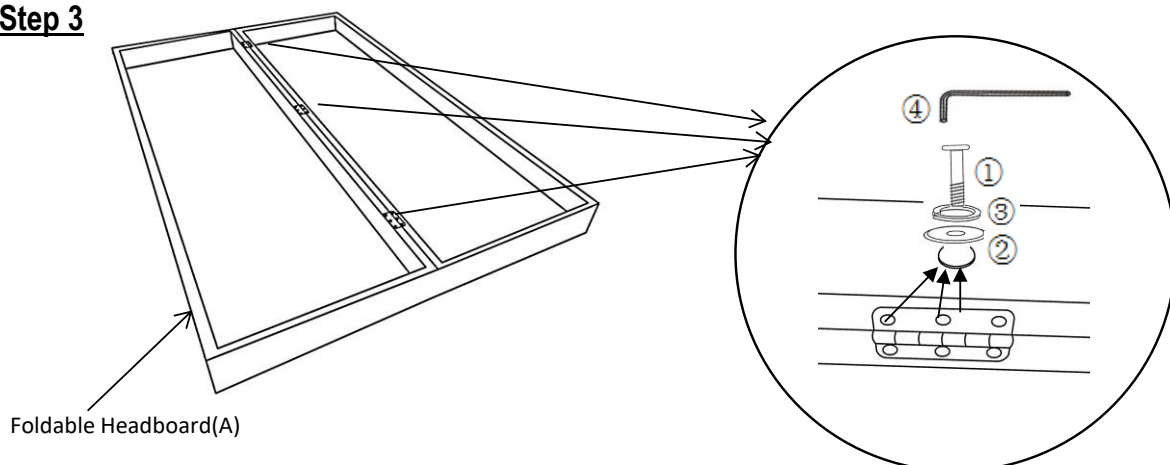
Place the Foldable Headboard(A) on to a clean, non-marring surface. Loosen up the cover on the lower half of the Headboard as shown in the picture. **The Headboard Parts are Heavy, two adults are required for lifting and moving them.**

### Step 2



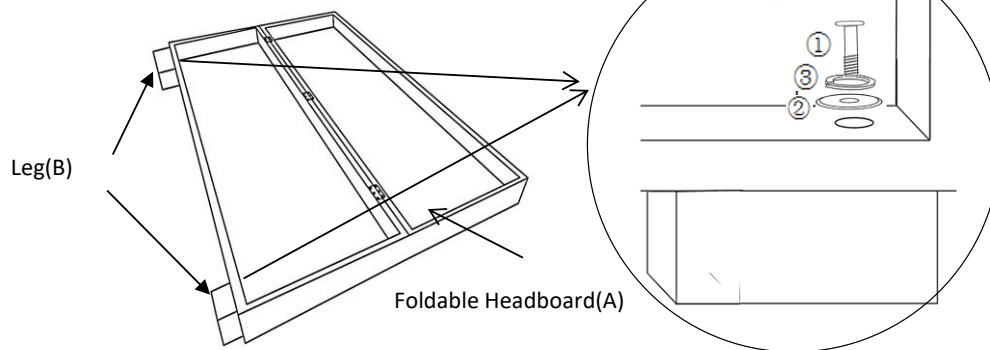
Unfold the Headboard, and remove the Legs(B).

### Step 3



Lock up the folding parts of the Headboard(A) using Bolts(①), Spring Washers(③), Washers(②) with Allen Key(④).

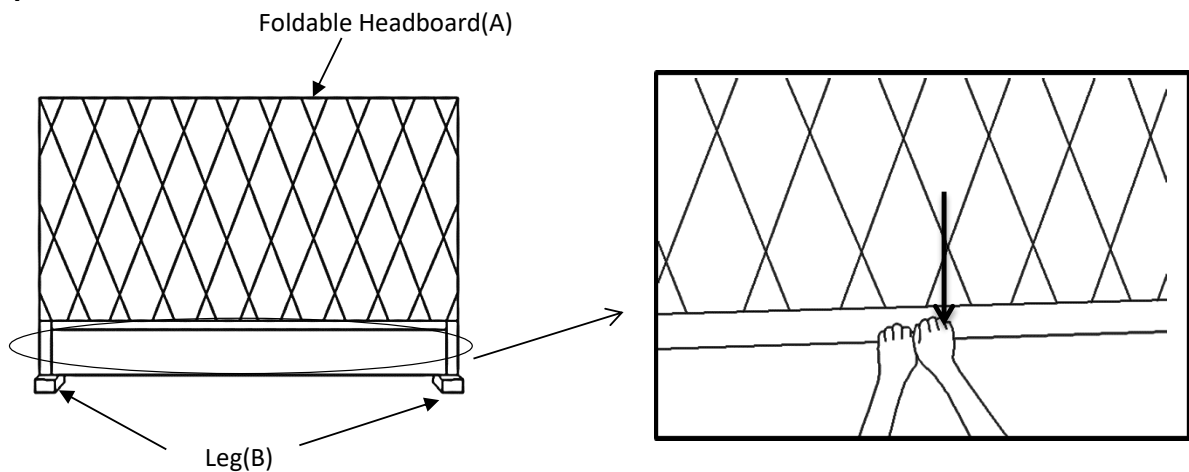
#### Step 4



Attach Legs(B) to Foldable Headboard(A) using Bolts(①), Spring Washers(③), and Washers(②) with Allen Key(④).

**Only loosely tighten the Bolts ensuring the Legs can be turned.**

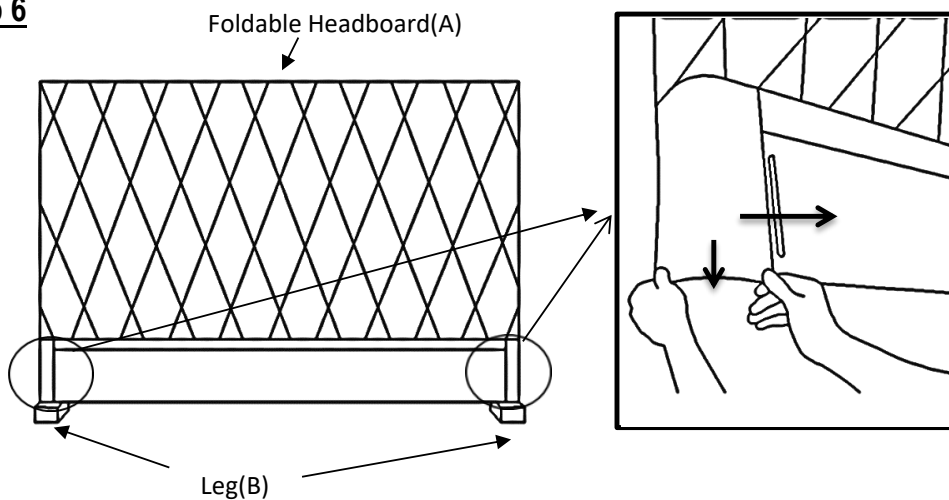
#### Step 5



Stand the Headboard up.

Smooth down the fabric with your hands and then stick the edges down along the velcro.

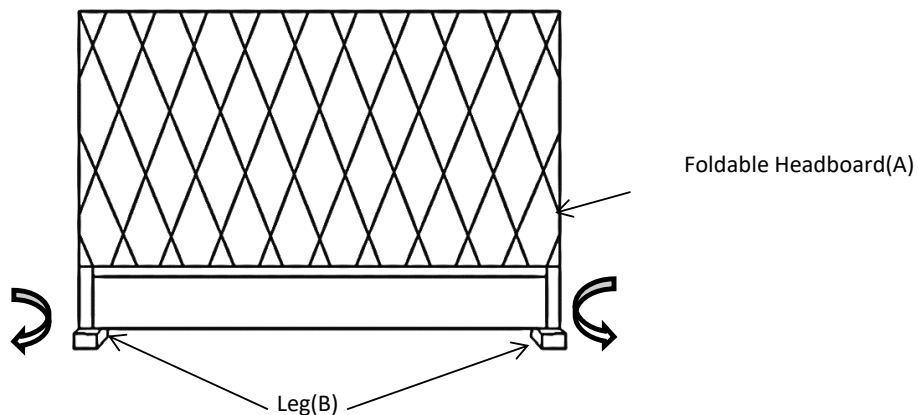
#### Step 6



Smooth out the sides of the fabric by pulling down then towards the back as pictured above.

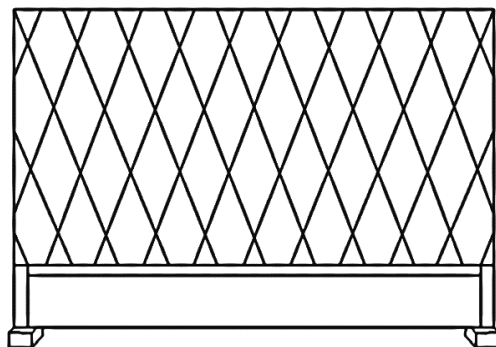
Complete the same action on the other side.

**Step 7**



Stand the Headboard up.  
Rotate the Legs(B) outwards as pictured above.  
**Two adults are required for moving the Headboard during this step.**

**Step 8**

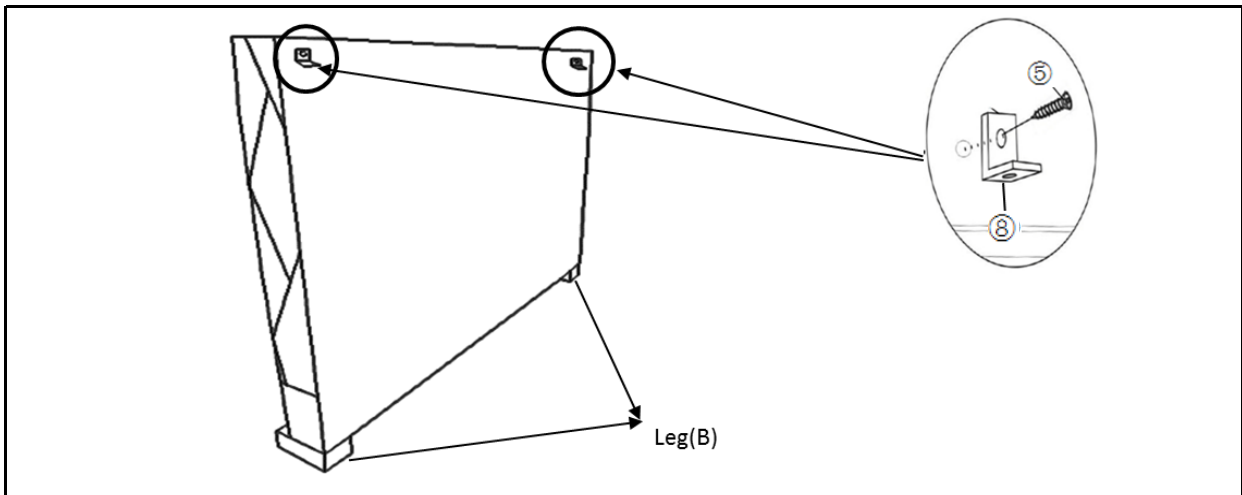


Make sure all parts are connected and securely locked into position.  
Your Headboard is ready for use.

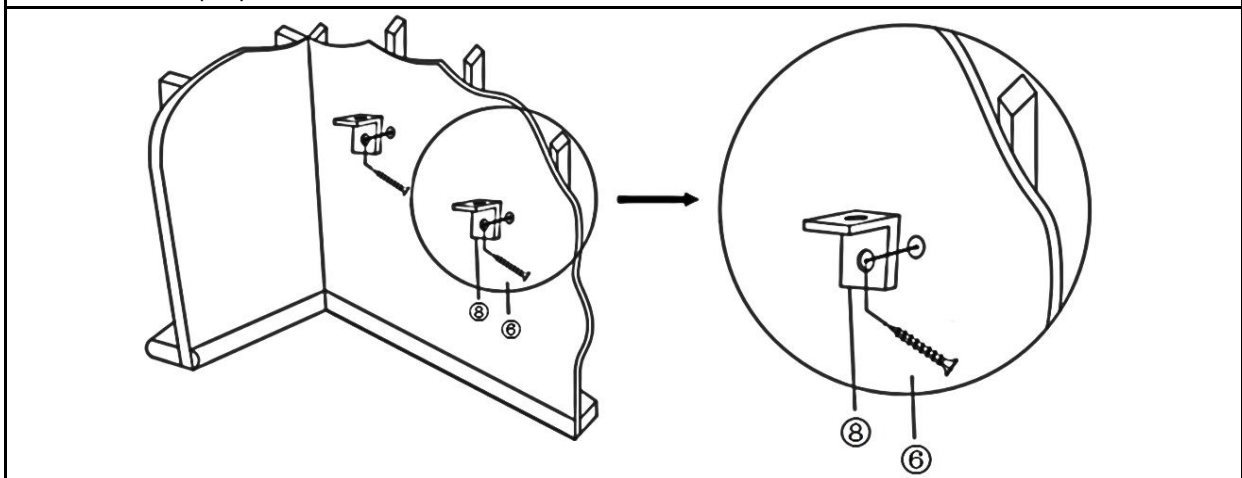
**WARNING**

Serious or fatal crushing injuries can occur from tipping furniture.  
To help prevent tip-over: **ALWAYS** secure this furniture to the wall using a Safety Restraint Device. See product instructions for more ways to help prevent furniture tip-over

**Headboard Restraint Device Installation Instruction**



Attach Metal Brackets(8) to the back of Headboard(A) using Screws(5) with Screwdriver(9) as shown above.

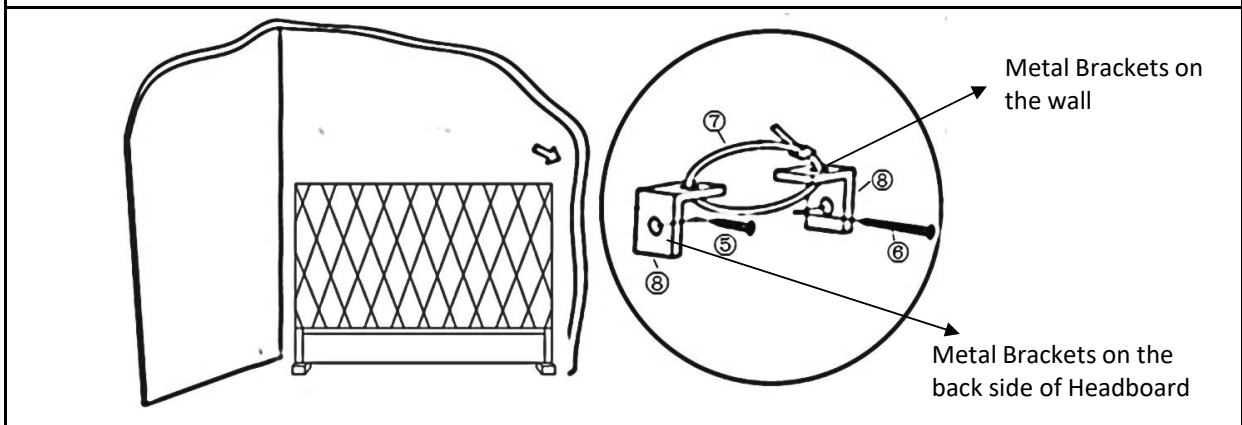


Put the Headboard against the wall where desired and mark the location for the Metal Brackets(8) to be the same height as the top of the Cabinet.

Attach Metal Bracket(8) to the wall where you marked using Screws(6) with Screwdriver(9).





















Repeat this process with the other Metal Bracket(8).

Note: The Metal Brackets need to be secured to solid, load bearing surface. Please use a Stud Finder(not supplied) if needed to locate the Wall Frame.



Move the Headboard back against wall. Pull the Restraint Straps(7) through the Metal Brackets(8) on the wall and Headboard(A) one by one, and pull the

## Care & Maintenance

-   ● Do not put hot items directly on furniture surface.
  -   ● Do not clean furniture with harsh cleansers or polish.
  -   ● Do not place furniture under direct sunlight.
  -   ● Do not place furniture near heating or cooling vents.
  -   ● Do not write on furniture without a padded barrier to protect the surface.
  -   ● Do not place furniture outside . For indoor use only .
  -   ● Not for commercial use. For residential use only .
  -   ● Stains may be removed with mild soap solution and damp cloth.
  -   ● Children should not climb or jump on the furniture.
- 
-   ● Dust and pick-up spills using a clean, non-colored, lint-free cloth .

### What is Proposition 65?

Proposition 65 is a California law that requires warning labels on products that may contain one of more than 800-plus chemicals or ingredients that the California Office of Environmental Health Hazard Assessment (OEHHA) has deemed to cause cancer or other reproductive toxicity. Chemicals and elements on this list include wood dust, brass, and other everyday substances, which can be found in very common household items, such as: lamps, tableware, jewelry, crystal glasses, electric cords, beauty products, automobiles, and furniture.

### Why Did I Find a Proposition 65 Warning on My Home Goods Product?

We include Proposition 65 warnings on all of our products because there is always a chance that one of the 800-plus common chemicals and ingredients listed under this law could potentially be on our furniture or packing materials. We risk large fines under this law, if we don't include this warning.

### Should I worry?

We realize you may be worried finding this warning on our products, but we want to reassure you that the hazardous exposure limits for any of these chemicals have never been found on furniture products that we've shipped to our customers. Additionally, this warning label is very common and can be found on almost every piece of furniture sold in the state of California.

### Just How Common Are Proposition 65 Warnings?

Proposition 65 warnings have become so common in California that it is hard to take a trip to a local bank, grocery store, or restaurant without finding at least one warning. In fact, even the Disney Land Resort has a Proposition 65 warning:







|



