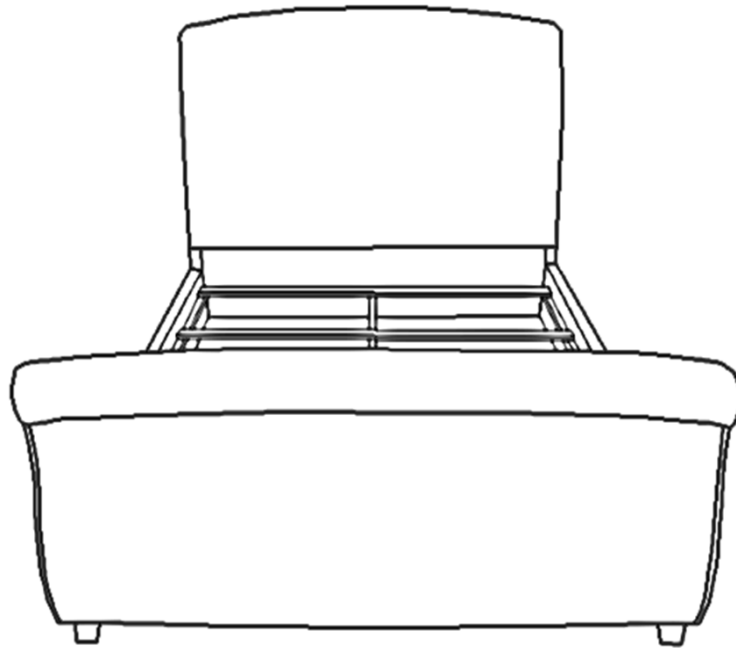


# Assembly Instructions




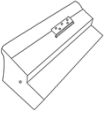

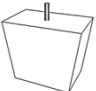
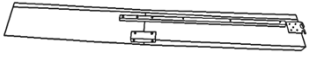

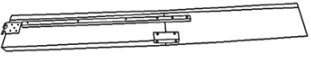

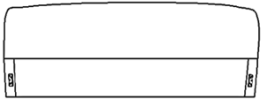
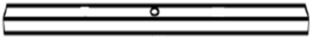

**Caution : You must read this before you proceed. The Bed and its Parts are Heavy. At least two adults are required for lifting and moving them.**

Queen Size Bed

















**Note : This Bed set is to be used with a Box Spring and Mattress NOT provided with this Product.**

## Parts List

Part NO.	Picture	Description	Qty
A		Foldable Headboard	1
B1		Left Wing	1
B2		Right Wing	1
C		Headboard & Side Rail Connecting Piece	2
D		Connecting Plate	1
E		Headboard & Footboard Foot	4
F		Left Side Panel-1	1
G		Left Side Panel-2	1
H		Right Side Panel-1	1
I		Right Side Panel-2	1
J		Footboard	1
K		Cross Slat	4
L		Support Foot for Cross Slat (with Treaded stem)	4

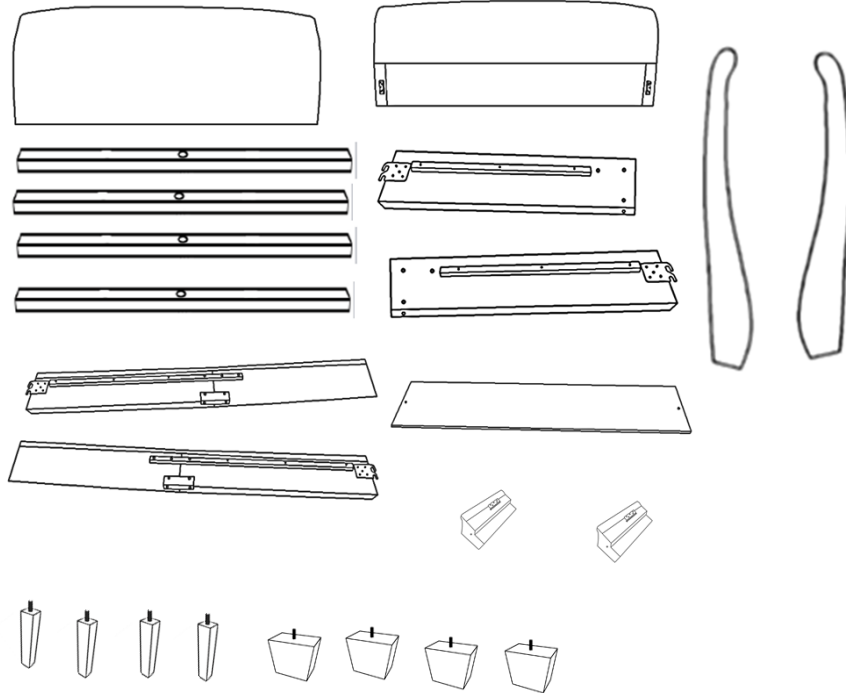
# Hardware

Label	Picture	Description	Qty
①		Bolt (M8X60mm)	4
②		Bolt (M8X50mm)	3
③		Bolt (M8X40mm)	2
④		Bolt (M8X30mm)	10
⑤		Bolt (M8X25mm)	2
⑥		Washer	21
⑦		Spring Washer	21
⑧		Screw (35mm)	9
⑨		Screwdriver	1
⑩		Allen Key	1
⑪		Screw (50mm)	2
⑫		Screw (20mm)	2
⑬		L-shape Metal Brackets	4
⑭		Cabinet Restraint Strap	2

# Assembly Preparation

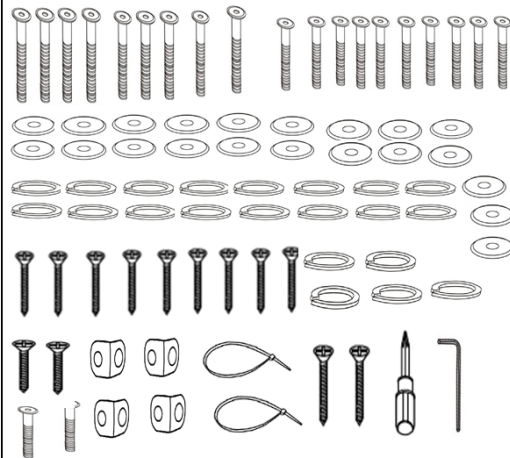
Before Beginning Assembly:

Unpack and place all parts for clear visibility.



Pack A: For assembling the Legs to the Headboard

Bolt(①&②&③&④&⑤)  
 Washer(⑥)  
 Spring Washer(⑦)  
 Screw(⑧)  
 Screwdriver (⑨)  
 Allen Key(⑩)  
 Screw(⑪&⑫)  
 L-shape Metal Brackets(⑬)  
 Cabinet Restraint Strap(⑭)



- Read instructions, cover to cover-



- Have 2 adults on hand for assembly-



- Do not assemble on flooring or carpet-



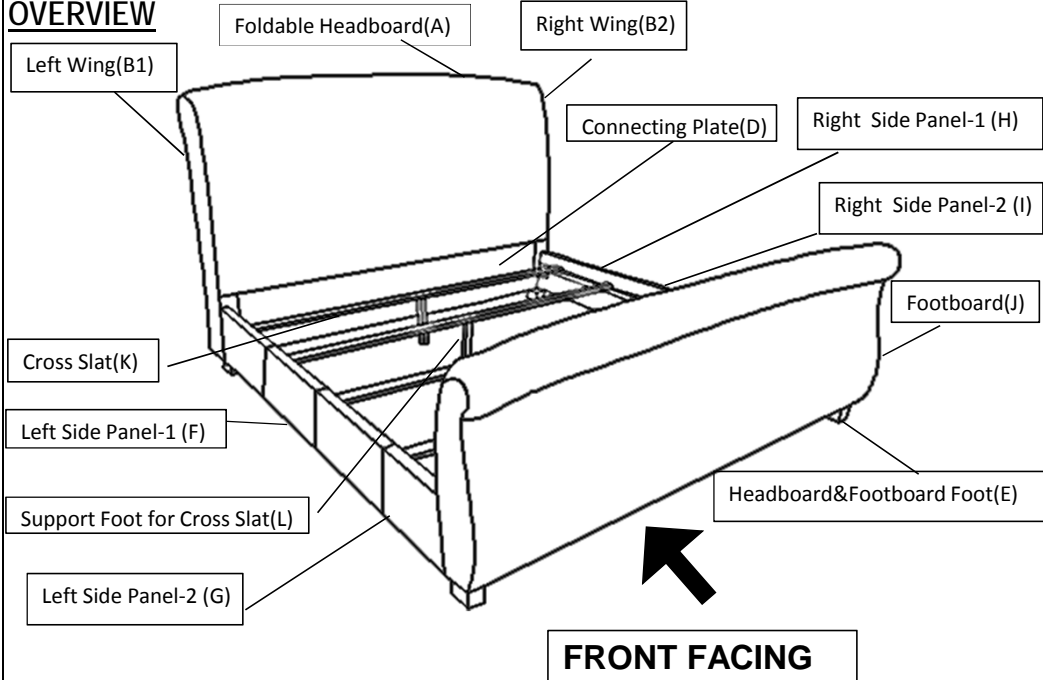
- Assemble on a clean non-marring surface (packing foam)-



- Save all packaging until finished-

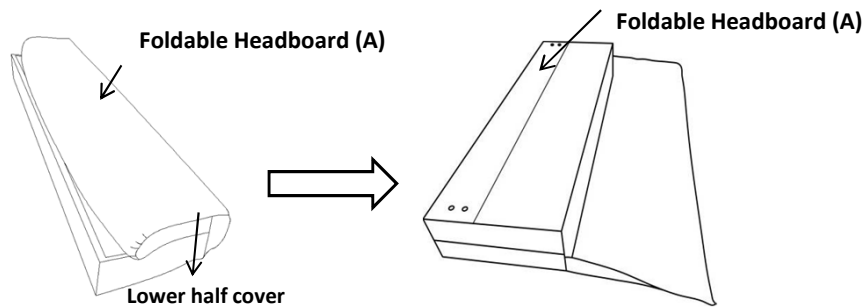
## Assembly Steps

### OVERVIEW



This QUEEN Bed has multiple parts and may require up to some 60 minutes to assemble. To give you an overview of the bed parts, the above picture is to help you put the various parts into perspective. Please read through the instructions herebelow to familiarise the parts and steps before assembly.

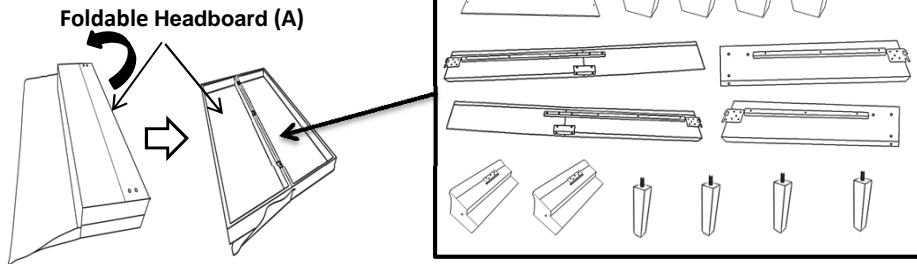
### Step 1



Place the Foldable Headboard(A) on to a clean, non-marring surface. Loosen up the cover on the lower half of the Headboard as shown in the picture.

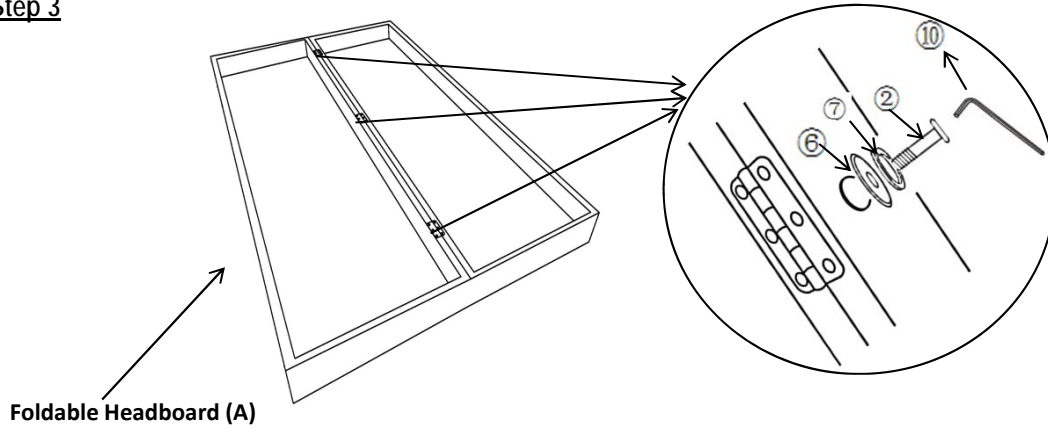
**Caution: The Headboard Parts are Heavy.  
Two adults are required for lifting and moving these.**

**Step 2**



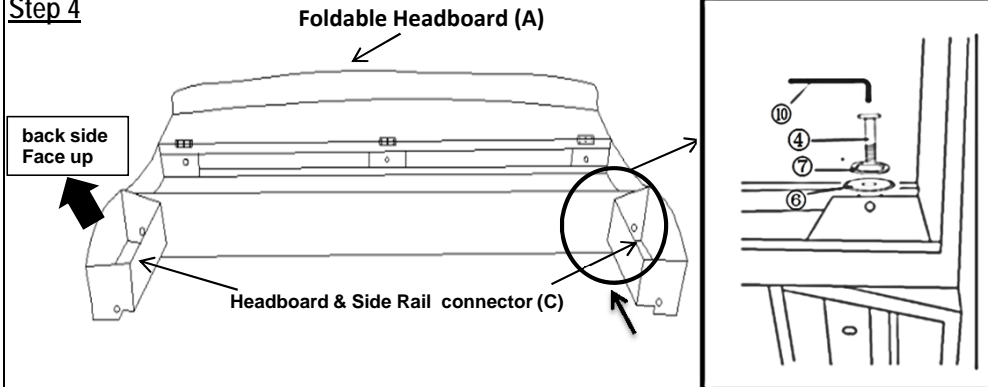
Unfold the Headboard, and take out the Connecting plate(D), Headboard&Footboard Foot(E), Left Side Panel(F&G), Right Side Panel(H&I), Headboard & Side Rail Connecting Piece(C), Center Support Foot for Cross Slat(L).

**Step 3**



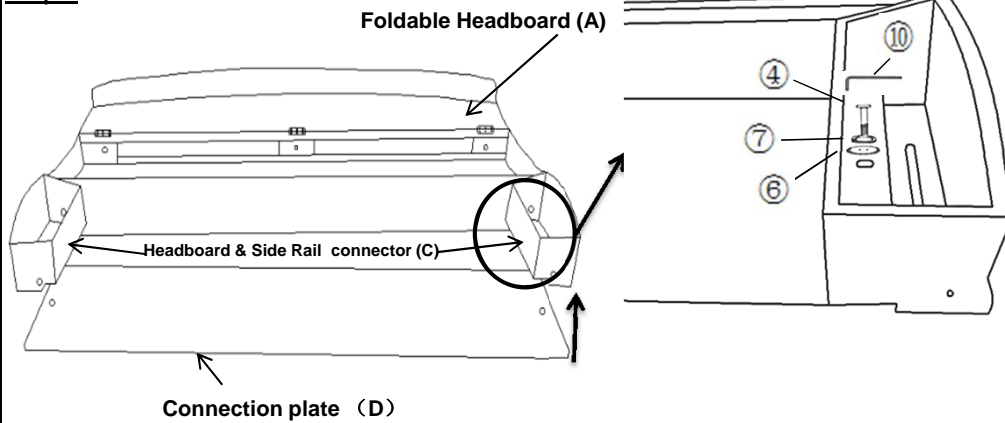
Lock up the folding parts of the Foldable Headboard(A) by using Bolt(2), Spring Washer(7), and Washer(6) with Allen Key(10).

**Step 4**



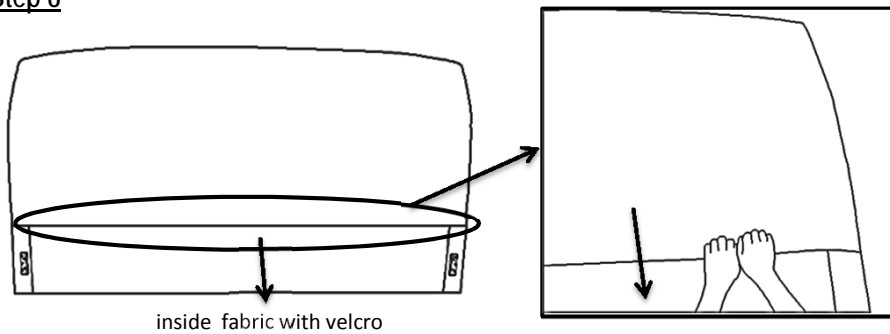
Make the back side of Headboard & Side Rail Connecting Piece (C) facing up.  
Install the Headboard & Side Rail Connecting Piece (C) into Foldable Headboard (A) using Bolt (4), Washer (6), Spring Washer (7), with Allen Key (10) as shown in the picture.

**Step 5**



Install the Connecting plate (D) into the Headboard & Side Rail Connecting Piece (C) using Bolt (4), Washer (6), Spring Washer (7), with Allen Key (10) as shown in the picture.

**Step 6**

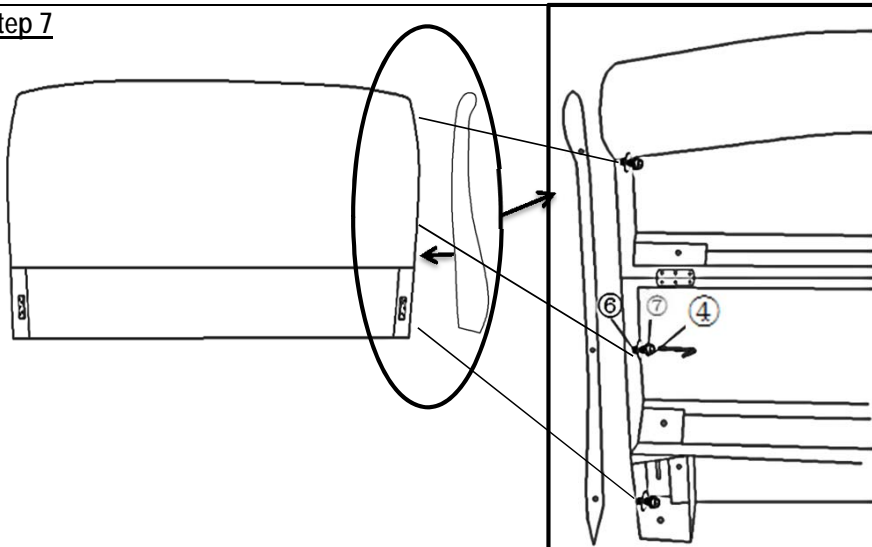


Smooth out the cover of Foldable Headboard(A) with the palm of your hands as shown in the picture.

- 1.) Smooth from Top to Bottom and
- 2.) from Middle to Outer sides.

Make sure the velcro inside fabric smoothly stick to headboard.

**Step 7**



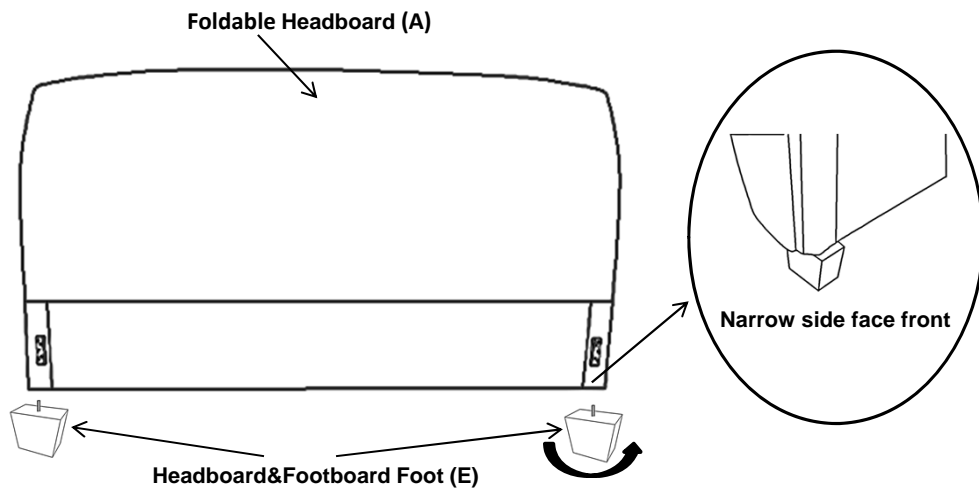
Align the mounting positions on Headboard(A) to the mounting positions on Right Wing(B2).

Attach Headboard(A) to Right Wing(B2) using Bolts(⑦), Washers(⑥) with Allen Key(⑩). Tighten Bolts fully in a sequential manner.

Repeat the same process with the Left Wing(B1), as shown in the picture.

Note : when install the wing, you must forcibly hold the wing, then Tighten the Bolts inside the headboard until secure.

**Step 8**



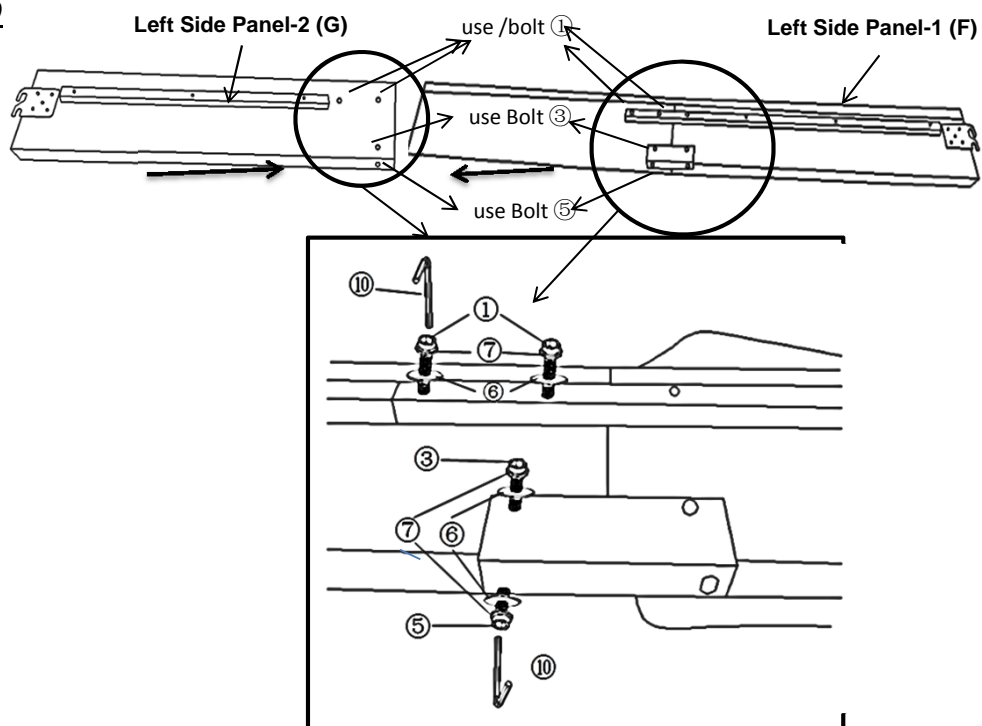
Install Headboard&Footboard Foot (E) into the bottom of the Foldable Headboard (A).

Tighten by turning the Legs clockwise as shown in the picture.

Repeat the same step to install the another Leg.

NOTE:Narrow side face front.

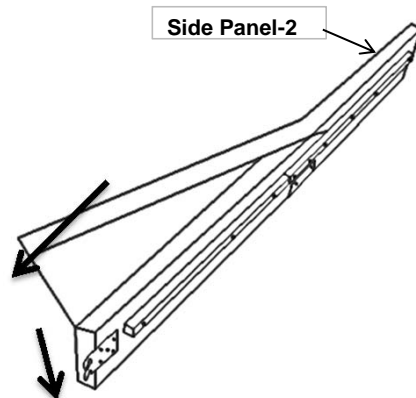
**Step 9**





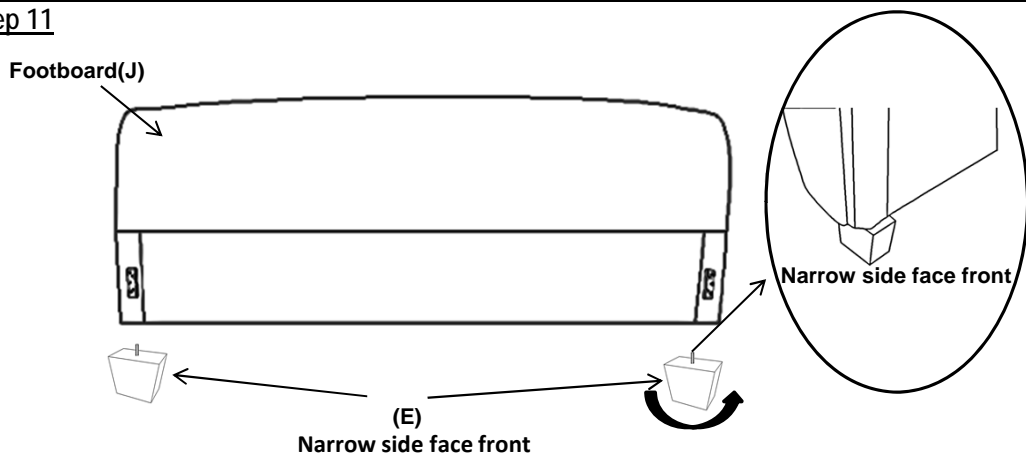
Attach Left Side Panel-1 (F) to Left Side Panel-2 (G) using Bolt (①), Bolt(③), Bolt (⑤), Washer(⑥), Spring Washer(⑦)with Allen Key (⑩) as shown in the picture.  
Repeat the same step to install the Right Side Panel-1 (H) to Right Side Panel-2 (I).

**Step 10**



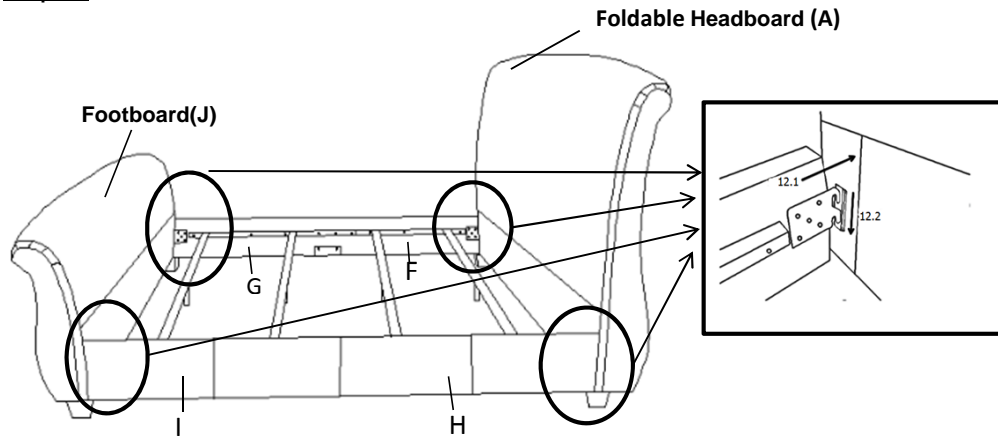
Smooth down the cover of Side Panel-2 with the Velcro of your hands  
1. ) Smooth from Top to Bottom and  
2. ) from Middle to Outer sides.  
3. ) Make the Velcro of the bottom tight.

**Step 11**



Install Headboard&Footboard Foot (E) into the bottom of the Footboard(J).  
Tighten by turning the Legs clockwise as shown in the picture.  
Repeat the same step to install the another Leg.  
NOTE:Narrow side face front.

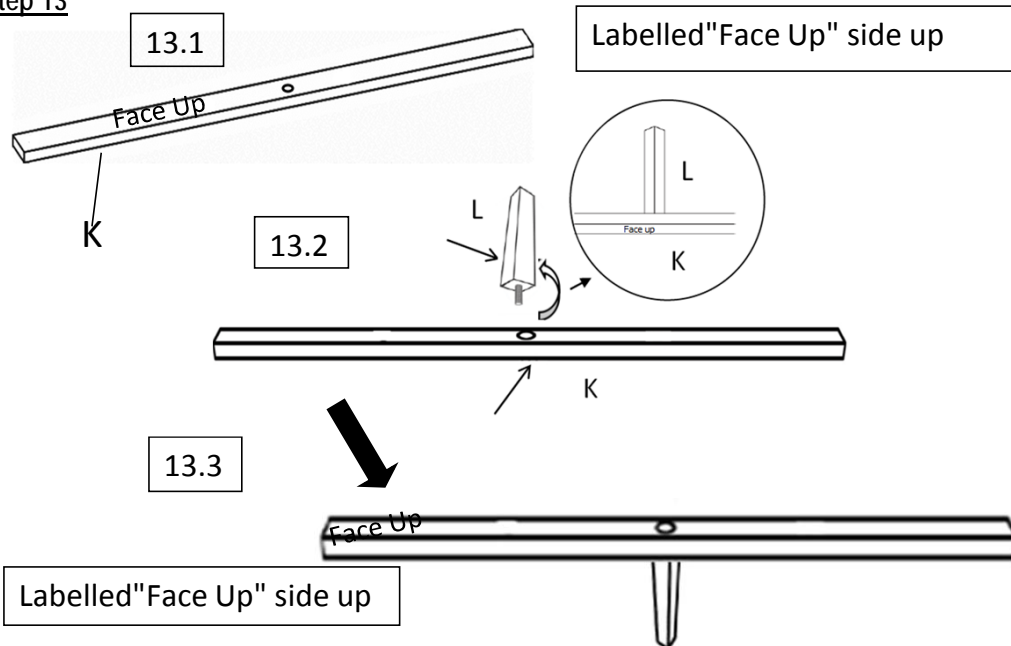
**Step 12**



Attach Left Side End Pane-1(F) and Right Side End Pane-1(H) to Foldable Headboard (A) and also attach Left Side End Pane-2(G) and Right Side End Pane-2(I) to Footboard (J) by sliding the iron plates onto the Bolts from Step 9 as shown.

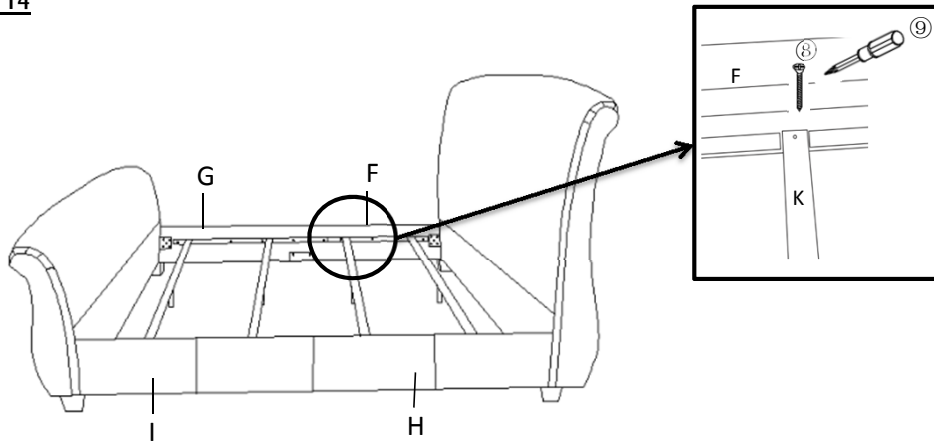
Note: The metal card should be alignment card slot when install it, then press it lightly.

**Step 13**



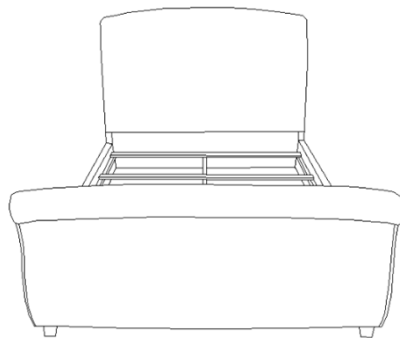
- 13.1 Place the Cross Slat(K) face down with "face up" label down.
- 13.2 Attach Support Leg(L) to the bottom of Cross Slat(K) by inserting the threaded stem on the Foot and turning clockwise until secure.
- 13.3 Stand the Cross Slats upright.

**Step 14**



Attach **ALL** the Cross Slats(K) to the Left Side Panel(F&G) and Right Side Panel(H&I) using Screws(8) with Screwdriver(9). Tighten Screws until secure.

**Step 15**



Ensure all the parts have been connected well.  
Your Bed can now be used with a Mattress.

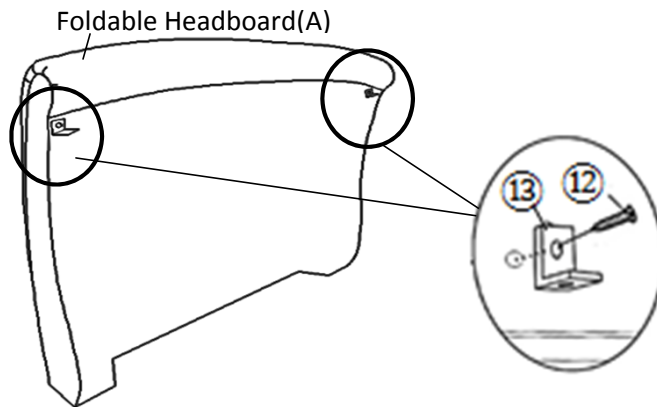
**Note : Mattress is NOT PROVIDED with this Headboard.**



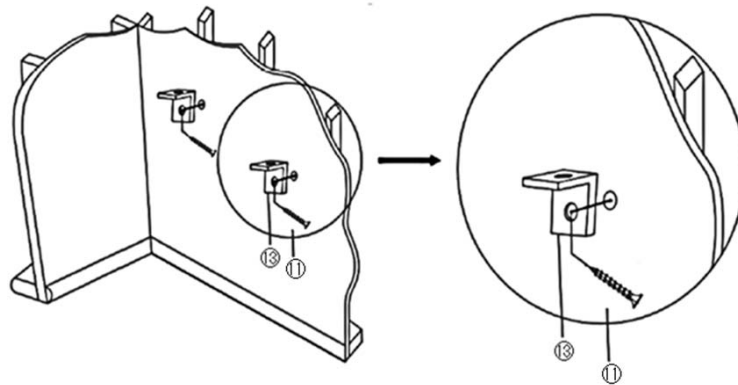
**WARNING**

Serious or fatal crushing injuries can occur from tipping furniture. To help prevent tip-over: **ALWAYS** secure this furniture to the wall using a Safety Restraint Device. See product instructions for more ways to help prevent furniture tip-over.

### Headboard Restraint Device Installation Instruction

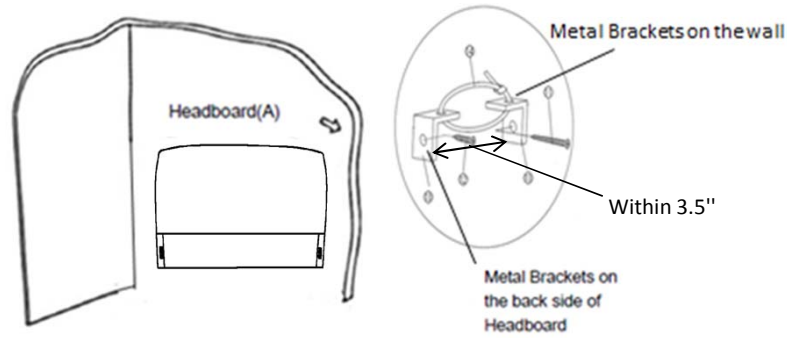


Firstly, turn back the Headboard. Find the two marks on the product. Then, Attach L-shape Metal Brackets(13) to the back of Foldable Headboard(A) using Screws(12) with Screwdriver(9) as shown above. Make sure two parts are connected and securely locked into Headboard.



Put the Headboard against the wall where desired and mark the location for the L-shape Metal Brackets(13) to be the same height as the top of the Headboard. Attach Metal Bracket(11) to the wall where you marked using Screws(11) with Screwdriver(9). Repeat this process with the other L-shape Metal Brackets(13) .

Note: The Metal Brackets need to be secured to solid, load bearing surface. Please use a Stud Finder(not supplied) if needed to locate the Wall Frame.



Move the Headboard back against wall. Pull the Restraint Straps(⑩) through the Metal Brackets(⑪) on the wall and Headboard(A) one by one, and pull the Restraint Straps(⑩) tight. Note: 2 pcs of Cabinet Restraint Strap(⑩) on each position. Headboard Restraint Device is installed and Headboard is ready for use. The strap between Headboard(A) and Metal Brackets(⑪) on wall should be within 3.5\".

### Care & Maintenance

- ⊘ ● Do not put hot items directly on furniture surface
  - ⊘ ● Do not clean furniture with harsh cleansers or polish.
  - ⊘ ● Do not place furniture under direct sunlight.
  - ⊘ ● Do not place furniture near heating or cooling vents.
  - ⊘ ● Do not write on furniture without a padded barrier to protect the surface.
  - ⊘ ● Do not place furniture outside . For indoor use only .
  - ⊘ ● Not for commercial use. For residential use only .
  - ⊘ ● Stains may be removed with mild soap solution and damp cloth.
  - ⊘ ● Children should not climb or jump on the furniture.
- 
- ✓ ● Dust and pick-up spills using a clean, non-colored, lint-free cloth .

#### What is Proposition 65?

Proposition 65 is a California law that requires warning labels on products that may contain one of more than 800-plus chemicals or ingredients that the California Office of Environmental Health Hazard Assessment (OEHHA) has deemed to cause cancer or other reproductive toxicity. Chemicals and elements on this list include wood dust, brass, and other everyday substances, which can be found in very common household items, such as: lamps, tableware, jewelry, crystal glasses, electric cords, beauty products, automobiles, and furniture.

#### Why Did I Find a Proposition 65 Warning on My Home Goods Product?

We include Proposition 65 warnings on all of our products because there is always a chance that one of the 800-plus common chemicals and ingredients listed under this law could potentially be on our furniture or packing materials. We risk large fines under this law, if we don't include this warning.

#### Should I worry?

We realize you may be worried finding this warning on our products, but we want to reassure you that the hazardous exposure limits for any of these chemicals have never been found on furniture products that we've shipped to our customers. Additionally, this warning label is very common and can be found on almost every piece of furniture sold in the state of California.

#### Just How Common Are Proposition 65 Warnings?

Proposition 65 warnings have become so common in California that it is hard to take a trip to a local bank, grocery store, or restaurant without finding at least one warning. In fact, even the Disney Land Resort has a Proposition 65 warning:

