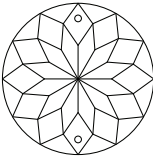

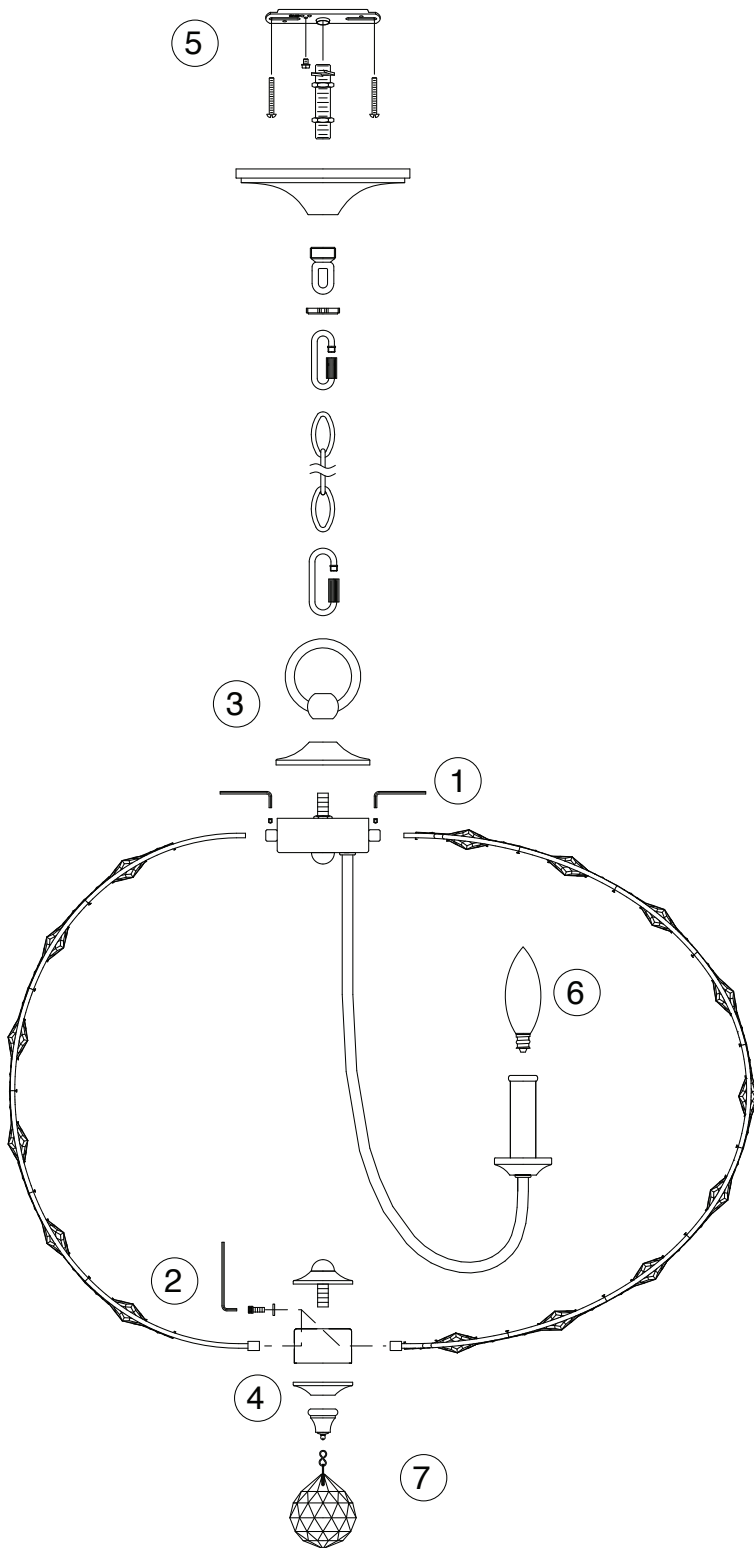


Assembly Instructions For

F2740/6

(E) 11/11

	
EXTRA	x 2
	x 4



IMPORTANT
TURN OFF THE POWER AT THE MAIN FUSE
OR CIRCUIT BREAKER BOX
BEFORE STARTING INSTALLATION

Carefully unpack and identify all parts before assembly. Bulbs not included.

1. Install the top of the arms onto the top of the fixture using the set screws provided, as shown on diagram.
2. Install the bottom of the arms onto the bottom font using the set screws as shown.
3. Install the top cover and the fixture loop onto the top of the fixture.
4. Place the bottom cover, with the attached threaded pipe, on top of the bottom font. Then slide the bottom cap through the threaded pipe onto the bottom font and secure it with the finial.
5. Follow enclosed supplement installation instructions for electrical and fixture installation onto house outlet box. If you do not have an outlet box at desired location to attach the fixture then hire a qualified electrician to create one.
6. Install light bulb (not included). See relamping label at socket area for type and maximum allowed wattage.
 Note: Slightly spread the metal cage to install or replace the bulb.
7. Hang crystal onto the bottom of the fixture as shown.