

MODEL : Camden Queen Bed

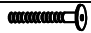




# ASSEMBLY INSTRUCTIONS

Read this instruction carefully. See hardware and furniture part list for guidance. Be sure all parts are complete, before you assemble. Place all wooden furniture parts on a clean and flat soft surface to prevent from being scratched. Follow the figure to start assembling.

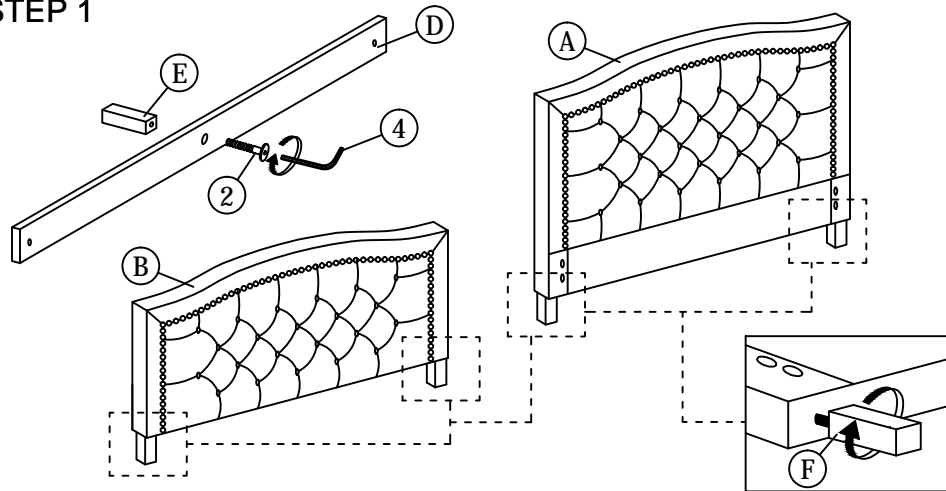
**CAUTIONS :** 1. Do not FULLY - TIGHTEN the nut or nut bolt until all nut or bolt is ready assembled.  
2. Do not OVER - TIGHTEN the nut or bolt to avoid causing damages to the thread.  
3. Keep all hardware parts out of reach of children.

**NOTE :** THE LIST AND QUANTITY SHOWN ARE FOR 1 UNIT ASSEMBLY.

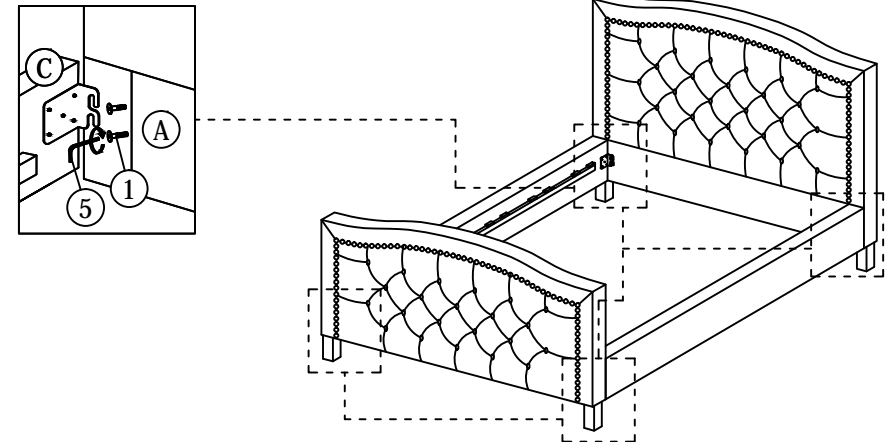
PART LIST		
ITEM	DESCRIPTION	QTY
A	HEADBOARD	1 PC
B	FOOTBOARD	1 PC
C	SIDE RAIL	2 PCS
D	CENTER SUPPORT	5 PCS
E	CENTER SUPPORT LEG	5 PCS
F	BED LEG	4 PCS

PART LIST		
ITEM	DESCRIPTION	QTY
1	JCBB BOLT M8 x 40mm 	8 PCS
2	JCBC BOLT M6 x 35mm 	5 PCS
3	WOOD SCREW M4 x 32mm 	10 PCS
4	M4 ALLEN KEY 	1 PC
5	M5 ALLEN KEY 	1 PC

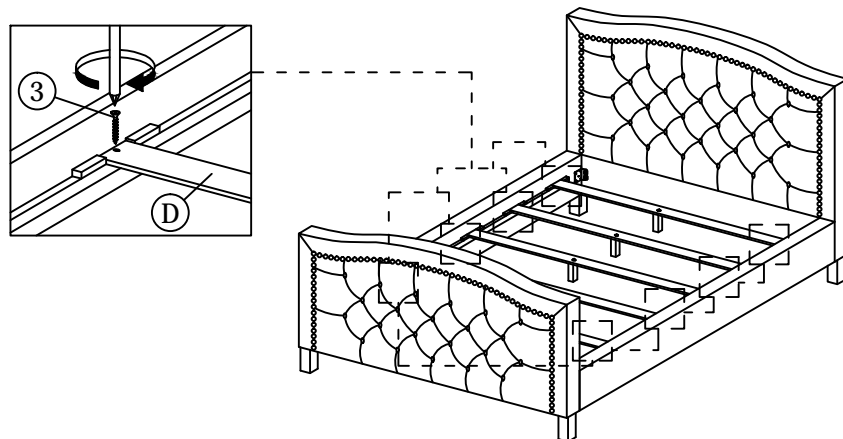
## STEP 1



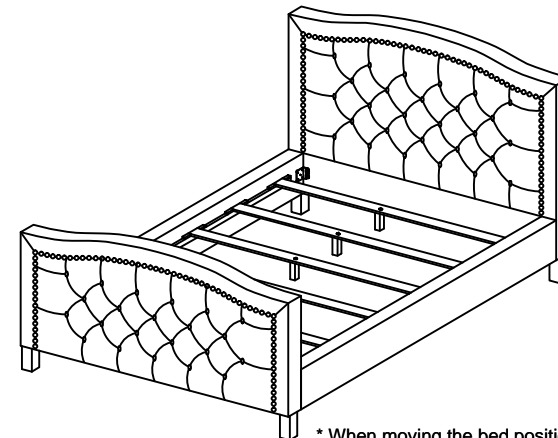
## STEP 2



## STEP 3



## STEP 4



\* When moving the bed position, the center support legs must be adjust to be straight to avoid any broken problem.