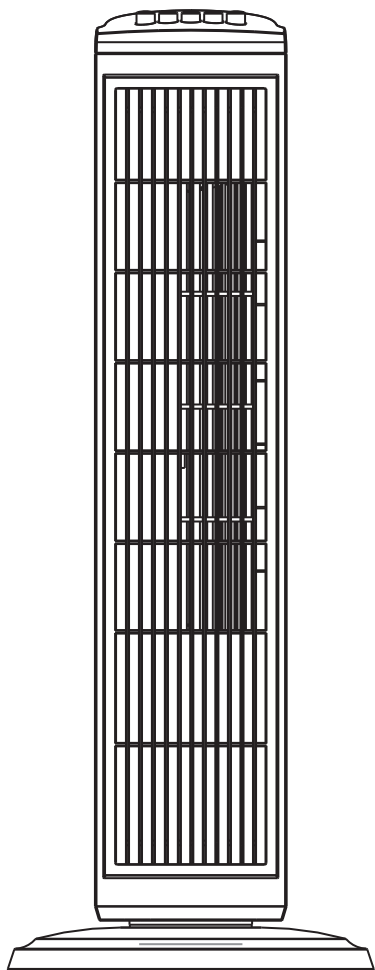


27" TOWER FAN MODEL:FZ10-9HB



READ AND SAVE THESE INSTRUCTIONS

CAUTION

Read Rules for Safe Operation and Instructions Carefully.

WARNING

1. To reduce the risk of fire or electric shock, do not use this fan with any solid state speed control device.
2. This appliance has a polarized plug(one blade is wider than the other). To reduce the risk of electric shock, this plug is intended to fit fully in the outlet only one way. If plug does not fit fully in the outlet, reverse plug. If it still does not fit, contact a qualified electrician. Do not attempt to defeat this safety feature.
3. Do not leave fan running unattended.
4. To reduce risk of electrical shock and injury from rain, do not use in a window. Do not use where fan could fall into bathtub or other water container.
5. Close supervision is necessary when any appliance is used by or near children.
6. Never insert fingers, pencils, or other foreign objects through the grill.
7. Disconnect fan when removing grills for cleaning. Reinstall before plugging into power supply.
8. To protect against electrical shock, never immerse fan, cord or plug in water. Avoid using volatile cleaners.
9. Avoid contact with moving parts.
10. Do not operate in presence of volatile or explosive fumes.
11. Do not place fan or any parts near an open flame, cooking or other heating device.
12. Do not pull cord to disconnect, grip plug instead.
13. Do not hang or mount fan on a wall or ceiling.
14. Disconnect fan when moving from one location to another.
15. Be sure fan is on a stable surface when operating to avoid tipping over.
16. Do not use outdoors.
17. Never operate fan with damaged electrical cord, plug, or when the fan malfunctions. Avoid use of extension cords.
18. To avoid fire hazard, never place the cord under rugs or any part of an open flame, cooking, or heating appliance.
19. This product is intended for household use only and not for commercial or industrial applications.

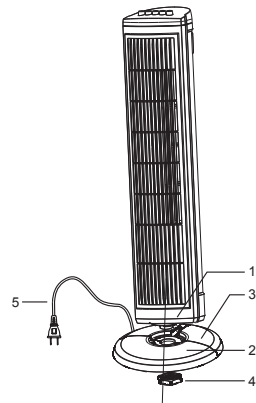
RULES FOR SAFE OPERATION

When using electrical appliances, basic precautions should always be followed to reduce the risk of fire, electric shock and injury to persons, including the following:

- (1) This product employs overload protection (fuse). A blown fuse indicates an overload or short-circuit situation. If the fuse blows, unplug the product from the outlet. Replace the fuse as per the user servicing instructions (following product marking for proper fuse rating) and check the products.
 - (2) Do not operate any fan with a damaged cord or plug.
 - (3) Do not run cord under carpeting. Do not cover cord with throw rugs, runners, or similar coverings. Do not route cord under furniture or appliances. Arrange cord away from traffic area and where it will not be tripped over.
2. Never insert fingers, pencils, or any other object through the grill when fan is running.
 3. Disconnect fan when moving from one location to another.
 4. Disconnect fan when removing grilles for cleaning.
 5. Be sure fan is on a stable surface when operating to avoid overturning.
 6. DO NOT use fan in window, rain may create electrical hazard.
 7. Indoor use only.

PARTS NAME

1. Body
2. Front base
3. Rear base
4. Base clip
5. Power cord



PARTS ASSEMBLY

1. Pull power cord (5) out slightly.
2. Put the rear base (2) on the body (1) by inserting the cylinders under the body to blind holes on rear base as shown on diagram.
3. Put front base on rear base (3) and fix the body, the rear base and front base by base clip (4) as shown.

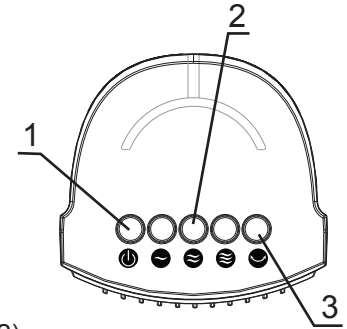
OPERATING INSTRUCTIONS

a. Control parts description:

1. OFF Switch
2. Speed switch
3. Body oscillating switch

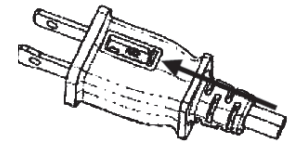
b. Instructions:

1. Plug the power cord into a wall outlet.
2. The air flow can be angled to left or right by pushing the button of body oscillating switch (3). If you want to stop oscillating, push it again.
3. Speed is controlled by push speed switch (2) on the top of the body. There are 4 positions:
⏻ --OFF ; ⏪ --Low ; ⏩ --Medium ; ⏴ --High



User Servicing Instructions:

- a) Grasp plug and remove from the receptacle or other outlet device. Do not unplug by pulling on cord.
- b) Open fuse cover. Slide open fuse access cover on top of attachment plug towards blades.
- c) Remove fuse carefully. Push the fuse from the other side or turn fuseholder over to remove fuse.
- d) Risk of fire. Replace fuse only with 2.5 Amp, 125 Volt fuse.
- e) Close fuse cover. Slide closed the fuse access cover on top of attachment plug.
- f) Risk of fire. Do not replace attachment plug. Contains a safety device (fuse) that should not be removed. Discard product if the attachment plug is damaged.



Notice:

1. If fuse is difficult to install, please make sure you are installing properly.
2. When you feel it hard to be operated, please make sure you have got the right way.

MAINTENANCE INSTRUCTIONS

The fan requires little maintenance. Do not try to fix it by yourself.

1. Before cleaning and assembling, unplug the fan.
2. To ensure adequate air circulation to the motor, keep vents at the rear of the motor housing free of dust, debris, etc. Unplug fan before using a vacuum cleaner to clean these vents. Do not disassemble the fan motor to.
3. Plastic parts should be cleaned with mild soap and damp cloth or sponge. Thoroughly remove soap film with clean water. Do not use any abrasive detergent or solvents to avoid scratching the surface.

CLEANING

1. Be sure to unplug the power cord from the outlet before cleaning.
2. Plastic parts should be cleaned with mild soap and damp cloth or sponge. Thoroughly remove soap film with clean water.
3. Be sure not to get water or other liquid inside of the motor.
4. Dry all parts completely before reassembling and reconnecting to power source.

PRINTED IN CHINA

SERVICE & SUPPORT

In the event of a warranty claim or if service is required for this heater, please contact us at the following:

Toll Free: 1-866-646-4332

Email us at: customerservice@supportuscenter.com

For questions or comments, please write to:

Midea America Corporation
Customer Care Center

11800 NW100th Rd. Suite 4
Medley, FL 33178

For your records, staple your sales receipt to this manual and record the following:

DATE OF PURCHASE: _____

PLACE OF PURCHASE: _____

(STAPLE SALES RECEIPT HERE)

**NOTE: PROOF OF PURCHASE IS REQUIRED FOR ALL
WARRANTY CLAIMS
PRINTED IN CHINA**