

ELECTRIC FIREPLACE HEATER

ASSEMBLY AND OPERATION MANUAL



IMPORTANT SAFETY INSTRUCTIONS

CAUTION / ATTENTION -- **DO NOT PLUG THE HEATER INTO ANY POWER OUTLET OR OPERATE BEFORE READING ALL INSTRUCTIONS!**

SAVE THESE INSTRUCTIONS FOR FUTURE REFERENCE

When using electrical appliances, basic precautions should always be followed to reduce the risk of fire, electric shock, and injury to persons, including the following:

1. Read all instructions before using this fireplace. Failure to follow these important safety instructions may cause fire, electric shock or damage. Following proper safety and operating instructions is the responsibility of the owner.
2. **WARNING:** This fireplace heater is hot when in use. To avoid burns, do not let bare skin touch hot surfaces. The grill directly in front of the heater outlet becomes hot during heater operation.

3. CAUTION – High Temperature. Keep any materials, such as upholstered furniture, pillows, bedding, papers, plastic, clothes, curtains and other furnishings at least 3 feet away from the front, sides and rear of the heater element.
4. WARNING: This appliance gets hot and it contains internal parts that could arc or spark. Do not use it in areas where gasoline, paint, or flammable liquids are used or stored or where the unit will be exposed to flammable vapors. Do not use near propane tanks.
5. WARNING: This fireplace should not be used as a drying rack for clothing. Do not hang Christmas stocking or any decoration on the fireplace heater or mantle.
6. Extreme caution is necessary when any heater is used by or near children or those with disabilities.
7. Do not operate the heater unattended or while sleeping. Stay alert and monitor operation at all times.
8. Always unplug fireplace when not in use.
9. Do not operate any fireplace heater with a damaged cord or plug, or if the heater has malfunctioned, or if the fireplace has been dropped or damaged in any manner. Take fireplace to authorized service facility for examination, electrical or mechanical adjustment or repair.
10. Check your heater cord and plug connections. A loose fitting outlet can cause the plug to overheat and/or cause a fire. Be sure plug fits tight in the outlet. Check frequently during use to make sure plug and outlet are not hot. If so, discontinue using heater immediately and have outlet replaced by a qualified electrician. CAUTION: Heaters draw more current than small appliances, overheating of the outlet may occur even if it has not occurred with the other appliances.
11. Under no circumstance should this electric fireplace be modified. Parts having to be removed for servicing must be replaced by a certified repair center prior to operating this electric fireplace again.
12. Do not use outdoors or anywhere that it can get wet.
13. This fireplace is not intended for use in bathrooms, laundry areas and similar indoor locations. Never use this appliance near a bathtub or in the vicinity of water.
14. Do not place or operate the fireplace insert directly on carpet or a similar surface, which may restrict air circulation beneath the unit. The fireplace insert must be installed in the mantle before use.
15. To prevent a possible fire, do not block air intake or exhaust in any manner. Do not use on soft surfaces, like a bed, where openings may become blocked.
16. Do not run cord under carpeting, furniture or appliances. Do not cover cord with carpeting, throw rugs, runners, or the like. Arrange cord away from traffic area and where it will not be tripped over.
17. To disconnect fireplace, turn all controls to off, then remove plug from outlet.
18. Grounding – this heater is for use on 120 volts. The cord has a plug with three blades for proper grounding. DO NOT attempt to modify the plug in any way or use adaptors to defeat the purpose of the grounding feature. Plug ONLY into a receptacle that accepts three-blade plugs. **CAUTION:** To Prevent Electric Shock Match Wide Blade of Plug to Wide Slot of Outlet, Fully Inserted.
19. When this appliance is installed, it must be electrically grounded in accordance with local codes with the current CSA C22.1 Canadian local codes for USA installation. Follow local codes and National Electrical Code, ANSI/NFPA NO. 70 and Canadian Code, CZ 22.2 No. 0.
20. Do not insert or allow foreign objects to enter any ventilation or exhaust opening as this may cause an electric shock or fire, or damage the heater.
21. Do not modify this fireplace. Use it only as described in this manual. Any other use not recommended by the manufacturer may cause fire, electric shock or injury to persons.

22. **WARNING: NEVER USE WITH AN EXTENSION CORD OR RE-LOCATABLE POWER STRIP.** An extension cord may overheat and cause a risk of fire.
23. Do not burn wood or other materials in this fireplace.
24. Do not strike fireplace glass.
25. If the heater unit has been dropped or damaged, do not operate unless fully checked out by a certified repair center.
26. Always use a certified electrician should new circuits or outlets be required.
27. Always use properly grounded, fused and polarized outlets.
28. Always use ground fault protection where required by electrical code.
29. **WARNING** – Always disconnect the unit from the power supply before performing any cleaning, light bulb replacement, maintenance or relocation of the electric fireplace.
30. When transporting or storing the fireplace and cord, keep in a dry place, free from excessive vibration and store so as to avoid damage.

NOTE: Procedures and techniques that are considered important enough to emphasize.

CAUTION: Procedures and techniques, which, if not carefully followed, will result in damage to the equipment or personal property or may cause personal injury.

WARNING: Procedures and techniques, which, if not carefully followed, will expose the user to the risk of serious injury, illness or death.

WARNING:

This heater and parts become hot when in use. The area directly around and under the heater element must be clear and free of any obstructions.

DO NOT ALLOW CHILDREN TO OPERATE. KEEP CHILDREN AND PETS AWAY FROM HEATER AND CONTROLS.

CHOOSING LOCATION FOR YOUR FIREPLACE:

When choosing a location in your home, ensure that the general safety instructions are followed. For best results, install out of direct sunlight.






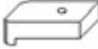



NOTE: A complete electric fireplace heater may consist of two parts, the wooden mantle and the fireplace heater insert. **DO NOT** use the fireplace heater insert without first installing it in the wooden mantle. Unpack the fireplace heater and mantle. Remove all packing materials.

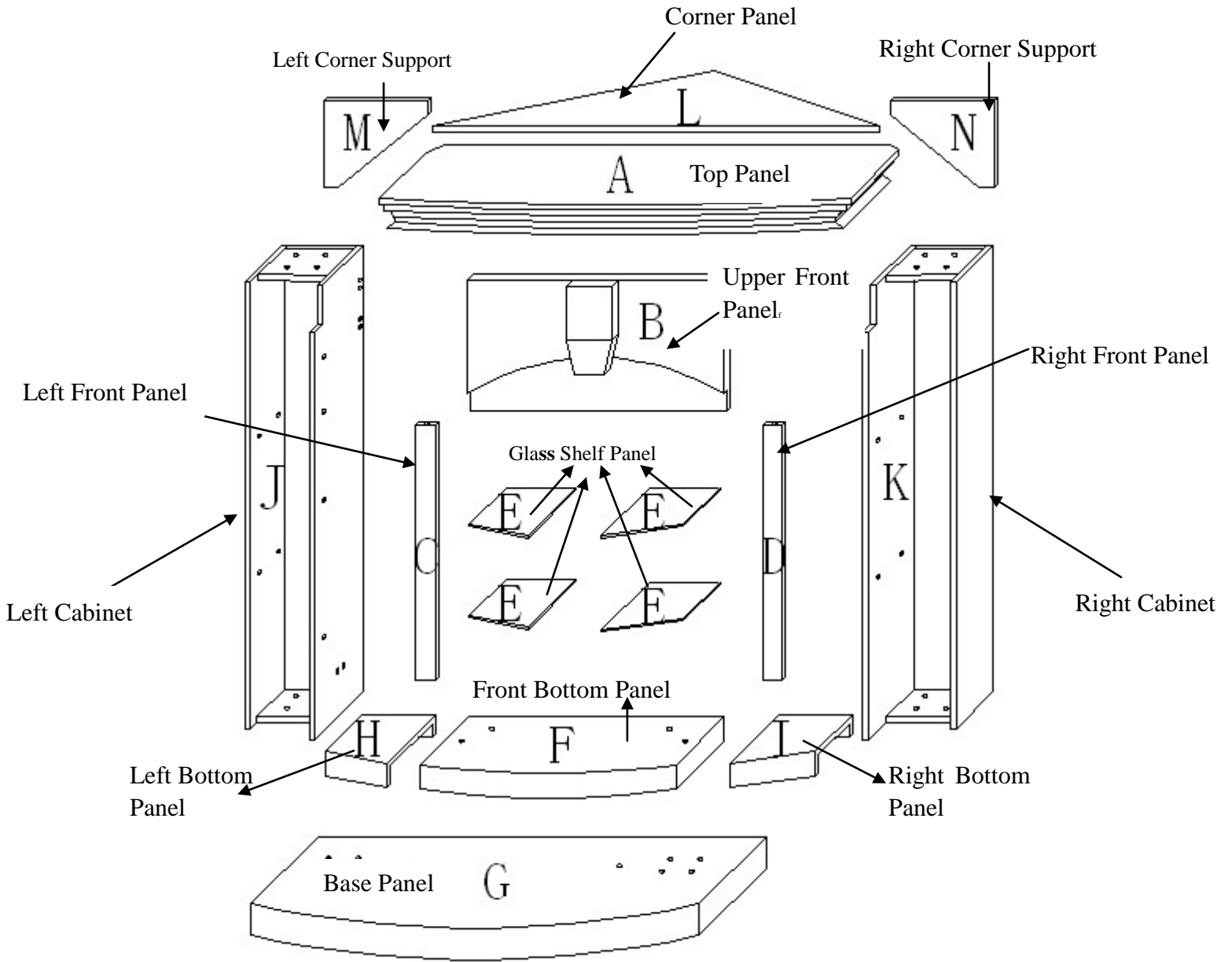
MANTEL ASSEMBLY:

Parts List:

A	Top Panel	1pc
B	Upper Front Panel	1pc
C	Left Front Panel	1pc
D	Right Front Panel	1pc
E	Glass Shelf Panel	4pcs
F	Front Bottom Panel	1pcs
G	Base Panel	1pc
H	Left Bottom Panel	1pc
I	Right Bottom Panel	1pc
J	Left Cabinet	1pc
K	Right Cabinet	1pc
L	Corner Panel	1pc
M	Left Corner Support	1pc
N	Right Corner Support	1pc

Hardware List:

U1		Plastic Connector	10 PCS
U2		KD Screw	46 PCS
U3		Shelf Support	16 PCS
U4		Wooden Dowel	2 PCS
U5		Mounting Screw	3 PCS
U6		Mounting Bracket	2 PCS
U7		6*12 Screw	2 PCS
U8		Hinges	7 PCS
U9		Shelf-tapping Screw	28 PCS



Step 1: NOTE: Make sure to attach the Plastic Connectors (U1) so the sides with the larger hole openings are facing in the correct direction for the screw heads to go in and be recessed inside the connector.

Attach 4pcs Plastic connectors (U1) to the Upper Front Panel (B) using 8pcs KD Screws (U2).

Attach 2pcs Plastic connectors (U1) to the Left Front Panel (C) using 4pcs KD Screws (U2).

Attach 2pcs Plastic connectors (U1) to the Right Front Panel (D) using 4pcs KD Screws (U2).

Attach 2pcs Plastic connectors (U1) to the Front Bottom Panel (F) using 2pcs KD Screws (U2).

See Fig. 1 below.

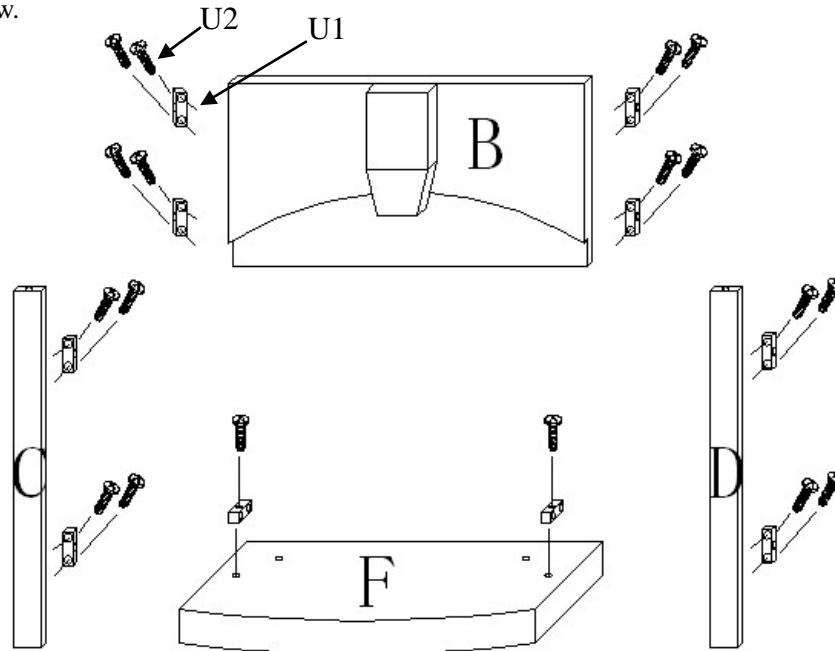


fig. 1

Step 2: Attach 16pcs Shelf Supports (U3) for the 4 Shelves to the Left and Right Cabinet (J & K). See Fig. 2 below.

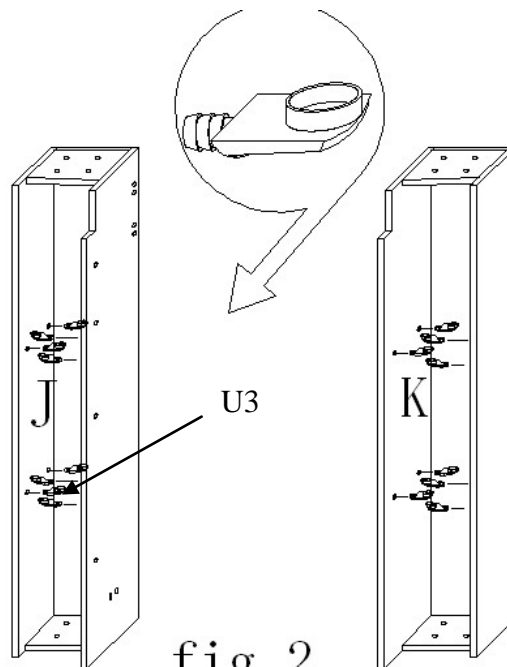


fig. 2

Step 3: Attach the Left and Right Cabinet (J & K) to the Base Panel (G) using 8pcs KD Screws (U2). See Fig. 3 below.

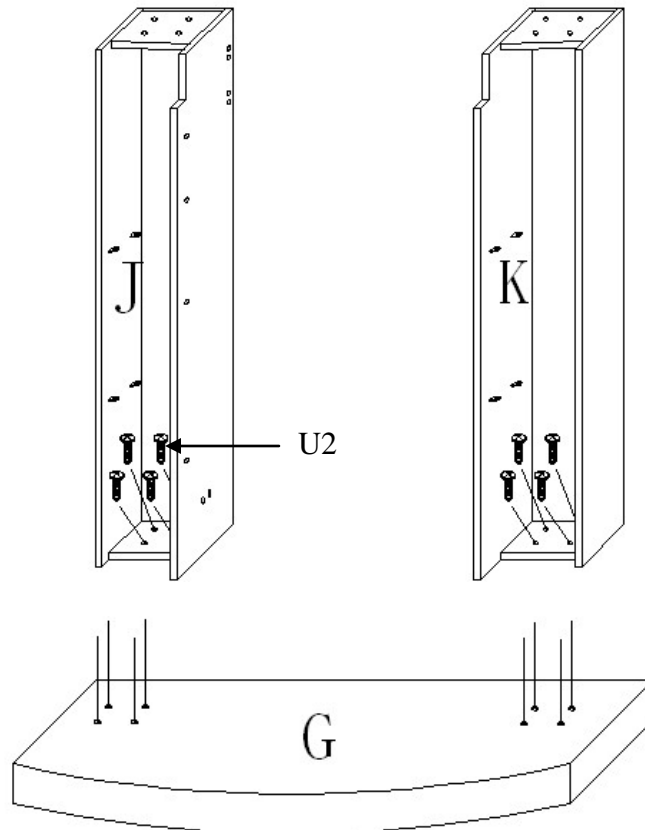


fig. 3

Step 4 : Set the Front Bottom Panel (F) between the Left and Right Cabinets (J & K) and attach using 4pcs KD Screws (U2). See Fig. 4 below.

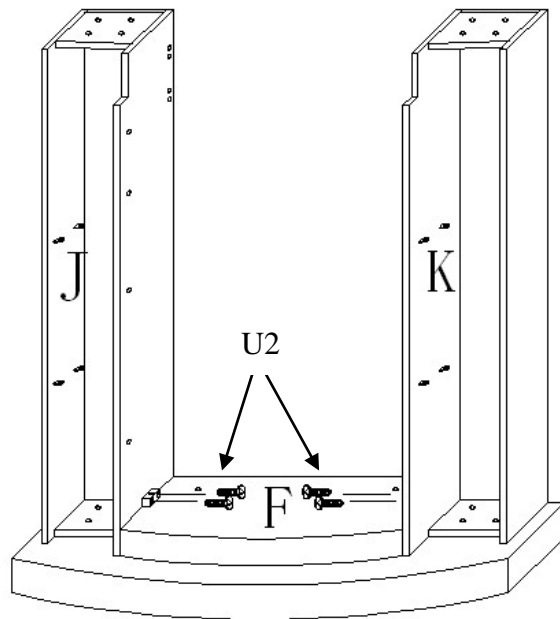


fig. 4

Step 5: Attach the Left Front Panel (C) to the Left Cabinet (J) using 2pcs KD Screws (U2).

Attach the Right Front Panel (D) to the Right Cabinet (K) using 2pcs KD Screws (U2). See Fig. 5 below.

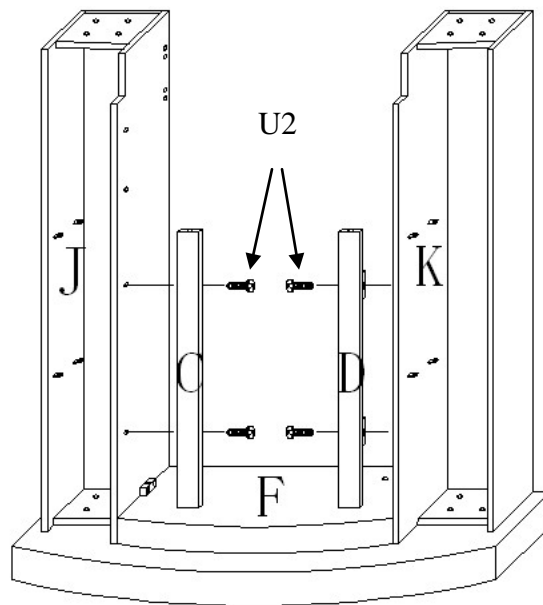


fig. 5

Step 6: Attach the Upper Front Panel (B) to the previously assembled unit using 4 pcs KD Screws (U2) and 2pcs Wooden Dowels (U4). See Fig. 6 below.

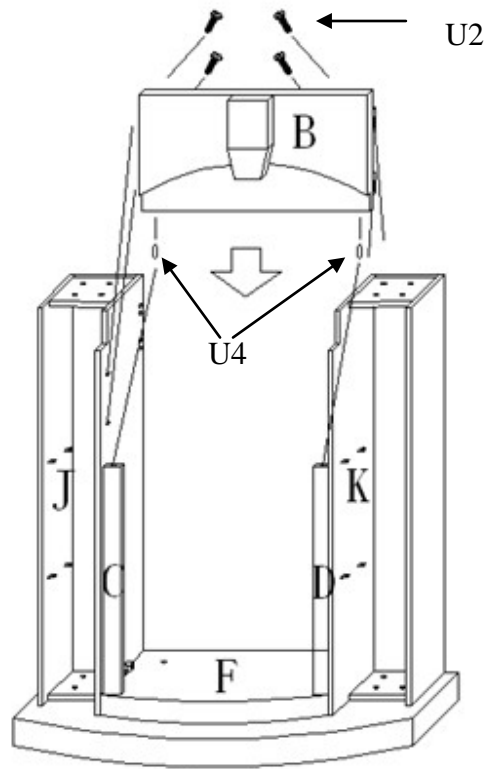


fig. 6

Step 7 : Attach the Top Panel (A) to the Left and Right Cabinets (J &K) using 8 pcs KD Screws (U2). See Fig. 7 below.

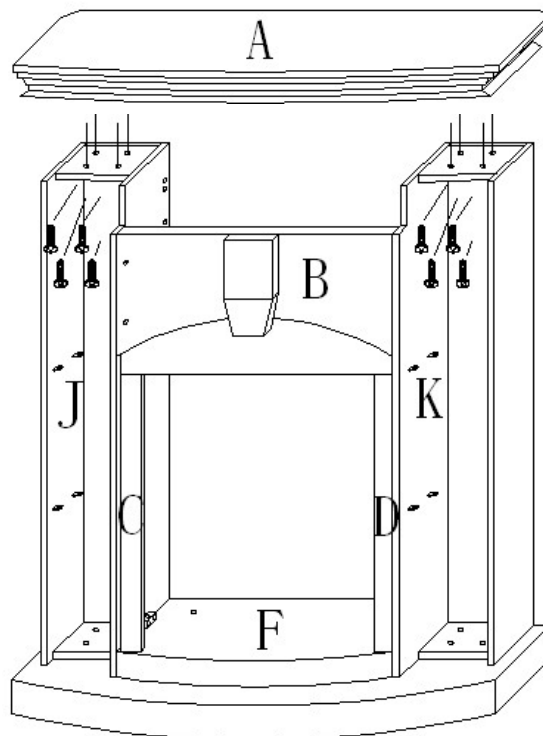
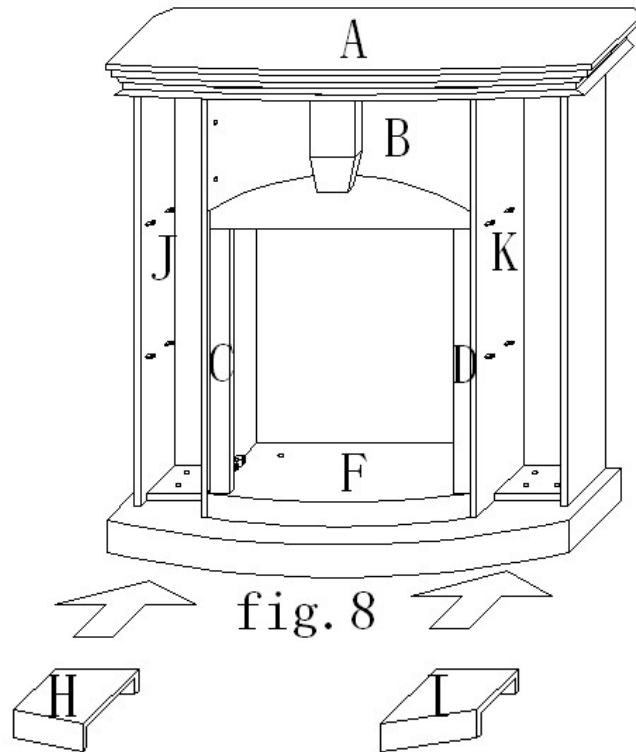


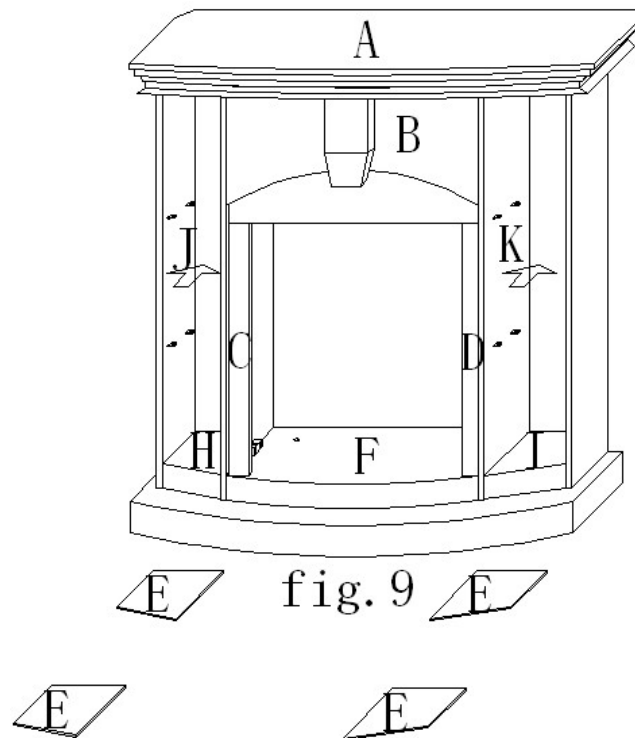
fig. 7

Step 8: Slide the Left Bottom Panel (H) into the bottom of the Left Cabinet (J).

Slide the Right Bottom Panel (I) into the bottom of the Right Cabinet (K). See Fig. 8 below.



Step 9: Set the 4 Glass Shelf Panels (E) on top of the Shelf Supports (U3) inside the Left and Right Cabinets (J & K). See Fig. 9 below.



Step 10: Place the Electric Fireplace Heater Insert through the back of mantle with the Front of the heater facing the opening in the mantle. See Fig. 10 below.

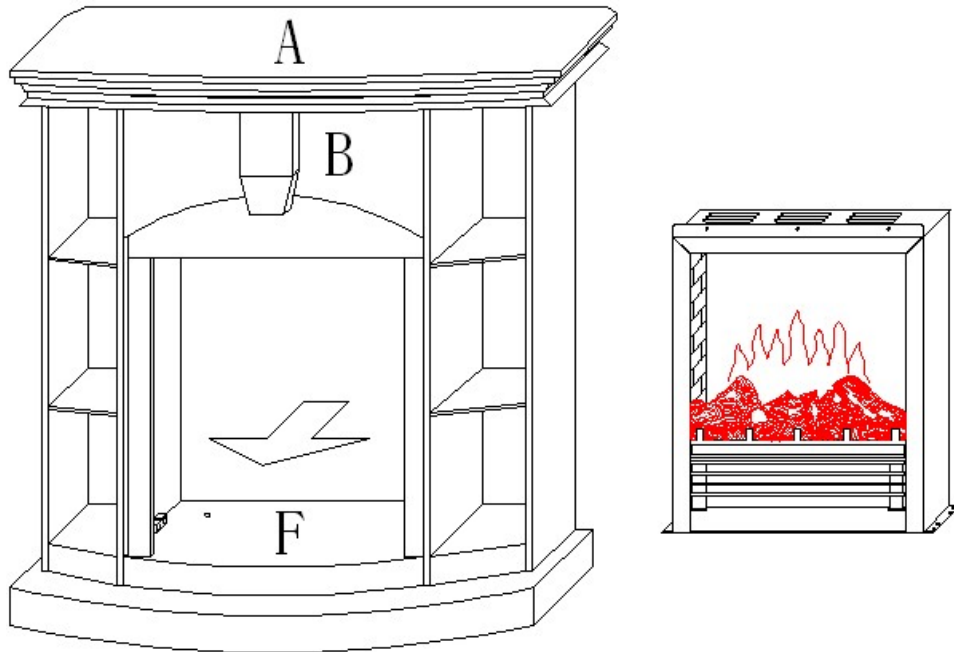


fig. 10

Step 11: Once the insert is in place, attach the Insert to the Bottom Front Panel (F) using 2pcs Mounting Brackets (U6) and 2pcs 6*12 Screws (U7). Attach the top of the insert to the back of the Upper Front Panel (B) using 3pcs Mounting Screws (U5). See Fig. 11 below.

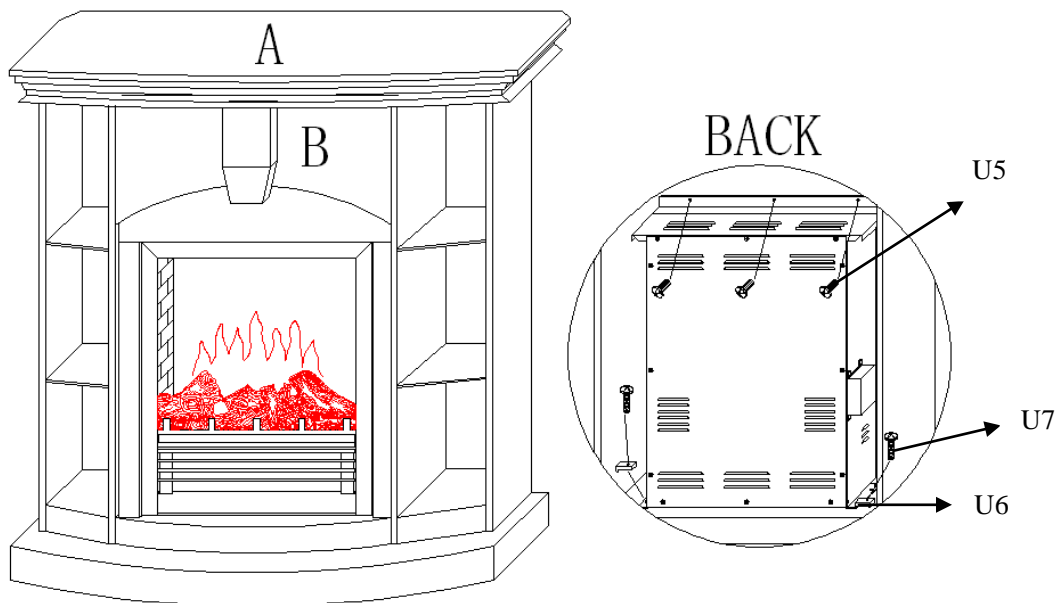


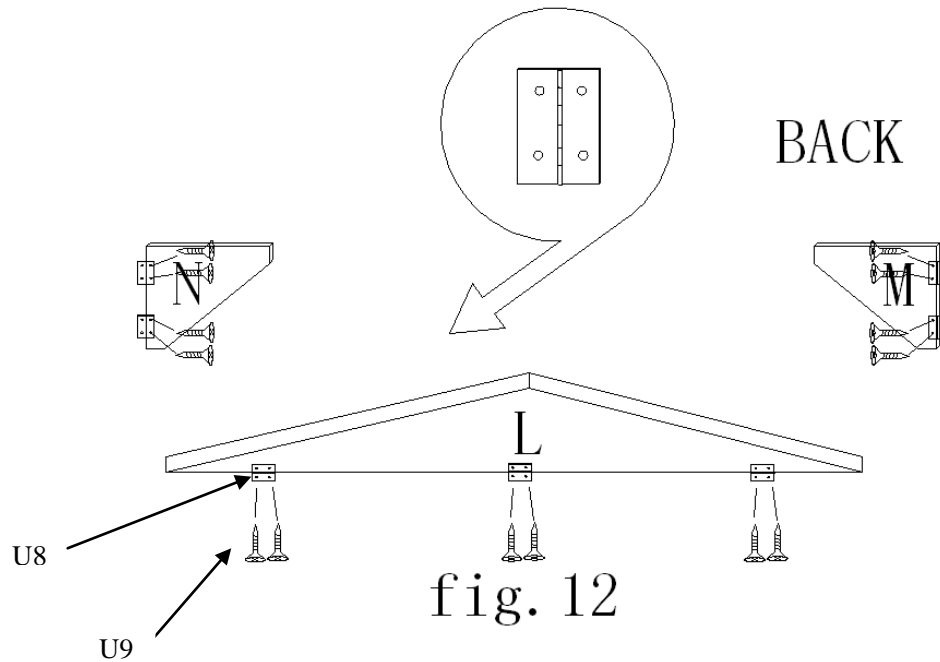
fig. 11

Step 12: Attach 3pcs Hinges (U8) to the Corner Panel (L) using 6pcs Self-Tapping Screws (U9).

Attach 2pcs Hinges (U8) to the Left Corner Support (M) using 4pcs Self-Tapping Screws (U9).

Attach 2pcs Hinges (U8) to the Right Corner Support (N) using 4pcs Self-Tapping Screws (U9).

See Fig. 12 below.

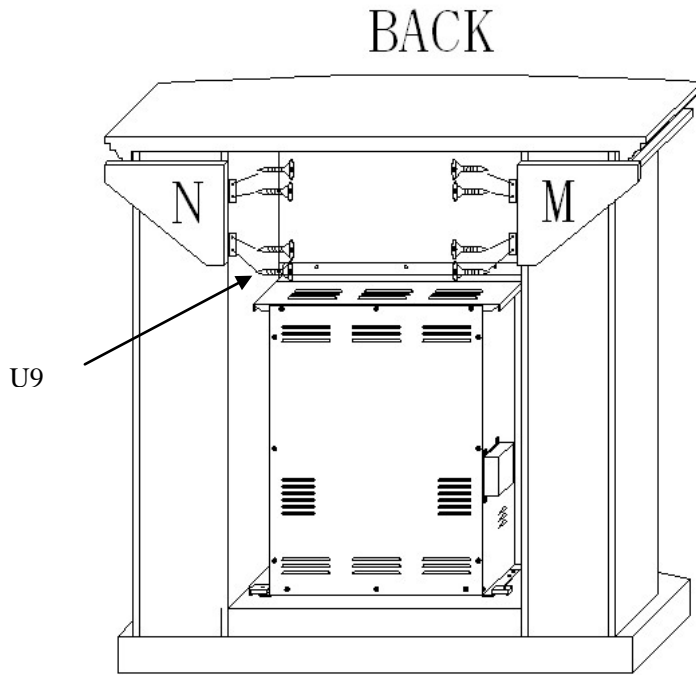


Step 13: Before attaching the Right and Left Corner Supports (N & M), be sure they are aligned and level.

Attach the Hinges on the Left Corner Support (M) to the Left Cabinet (J) using 4pcs Self-Tapping Screws (U9).

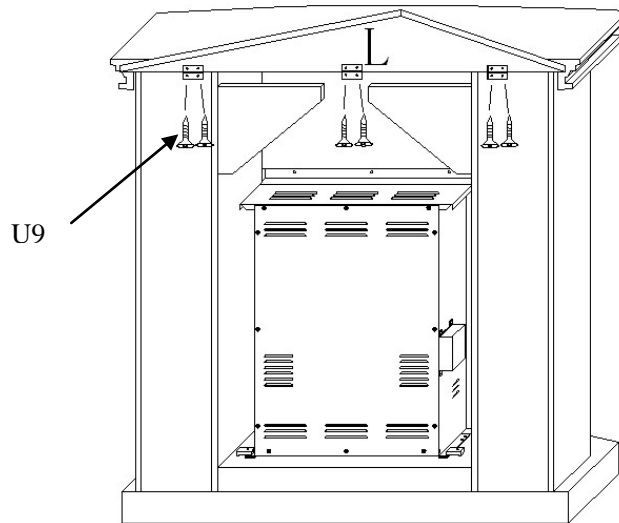
Attach the Hinges on the Right Corner Support (N) to the Right Cabinet (K) using 4pcs Self-Tapping Screws (U9).

See Fig. 13 below.



Step 14: Attach the Hinges on the Corner Panel (L) to the Top Panel (A) using 6pcs Self-Tapping Screws (U9).

NOTE: Be sure the Corner Panel (L) lays flat on both the fully extended Left and Right Corner Supports (N &M) before attaching the Self-Tapping Screws (U9). See Fig. 14 below.



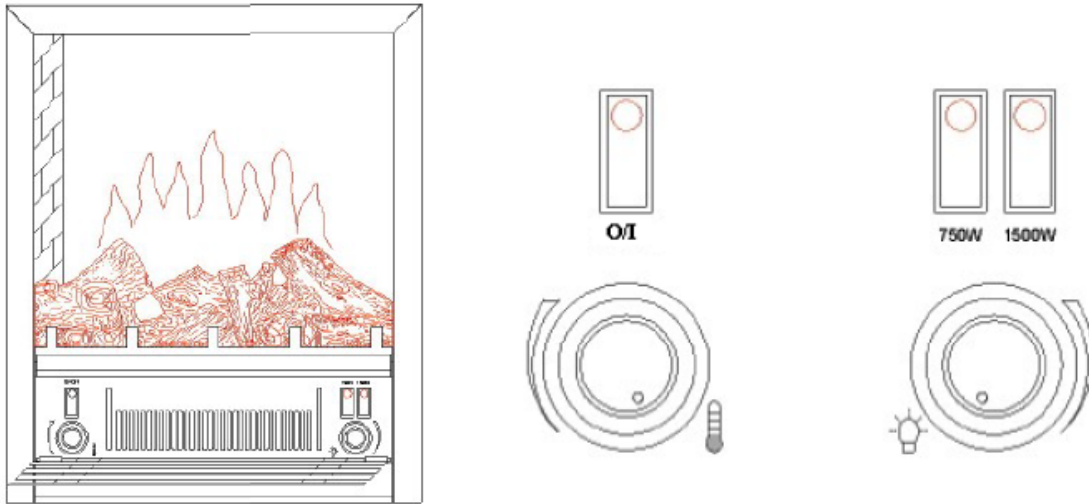
Assembly Complete:

After Assembly is complete, check the fireplace insert controls and make sure they are all in the OFF position.

Plug the fireplace into a 15AMP/120Volt outlet. Do not use Extension Cord or Power Strip. Once the fireplace insert has been properly connected to a grounded, electrical outlet, it is ready to operate.

OPERATING INSTRUCTIONS:

The controls are located behind the grill below the front glass and can be accessed by pulling the panel from the top, forward and down.



O/I: Press this button for main power and flame effect. The indicator light will turn on.

750W: For low heat function – Press this switch while the O/I switch is in the ON position. The indicator light will turn on.

1500W: For high heat function – Press this switch while the O/I switch is in the on position. The indicator light will turn on (keep the 750W in the ON position.)

Temperature Control: To adjust the temperature to your individual requirements, turn the temperature control dial to the right (clock-wise) to increase the desired temperature and to the left for lower temperature. This temperature control dial can only be used while the O/I switch and 750W & 1500W switches are in the ON POSITION. When the heater reaches the desired temperature, the heater and 750W/1500W indicator light will turn off but the fan still keeps working with airflow. Adjust this knob to restart the heater.

Dimmer Control Knob: Turn the dimmer dial clockwise or counter-clockwise to get the desired flame intensity. The dimmer switch can only be used when the O/I switch is in the ON position.

Note: When the O/I power switch is turned off, all other heater functions will stop even though the switches may still be in the ON position.

Maintenance:

WARNING: Disconnect power before attempting any maintenance or cleaning to reduce the risk of fire or electric

shock.

Cleaning

Before cleaning any parts of the fireplace make sure to first turn off the controls and then unplug the unit from power source.

CAUTION: Wait until the unit has completely cooled before attempting any cleaning.

Cleaning glass door: Remove dust with clean dry cloth. Remove fingerprints and other marks from glass door by using a clean damp cloth. Do not use abrasive cleaners or spray liquids on glass door surfaces.

Metal and metal painted parts should be cleaned with clean damp cloth only. Do not use abrasive cleaners or spray liquids on this surface.

RISK OF FIRE:

Do not exceed the recommended bulb wattage.

REPLACING THE LIGHT BULB:

Step 1: Unplug the fireplace heater.

Step 2: Remove 12 screws on the back of fireplace and remove the rear cover.

Step 3: You will find 1 X 40W Type B-10 bulb under log-set bed.

Step 4: Loosen and remove burnt out bulb and replace with new bulb.

Step 5: Close the rear cover and secure with the 12 screws.

Step 6: Plug in the unit.

