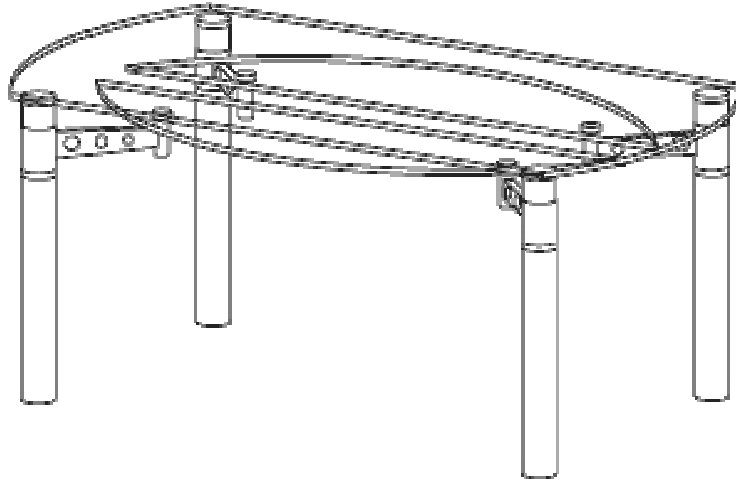
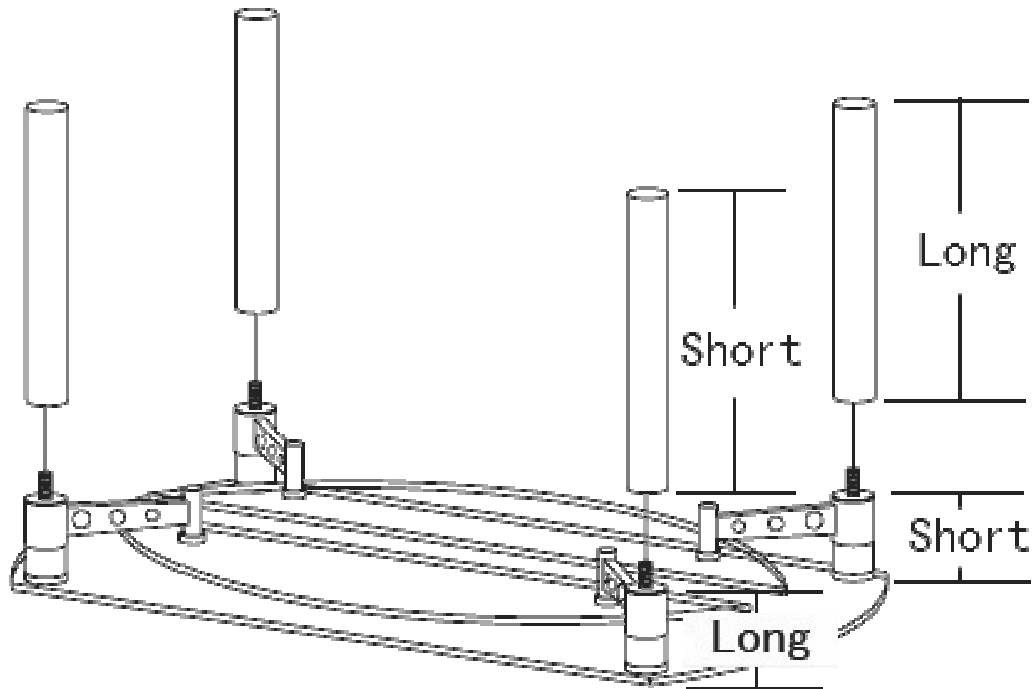


Dining Table

Assembly Instructions



Please notice before installing: There are 4 Legs supplied with this table, 2 Short and 2 Long. The 2 Short Legs should be matched with Long Stem (portion of the frame that is already attached to the table top), while the 2 Long Legs should be matched with Short Stem. This will ensure that the table is perfectly even once it is assembled. This is necessary in order to prevent the two extension leaves from hitting one another while in the storage position.



Dining Table

Assembly Instructions

