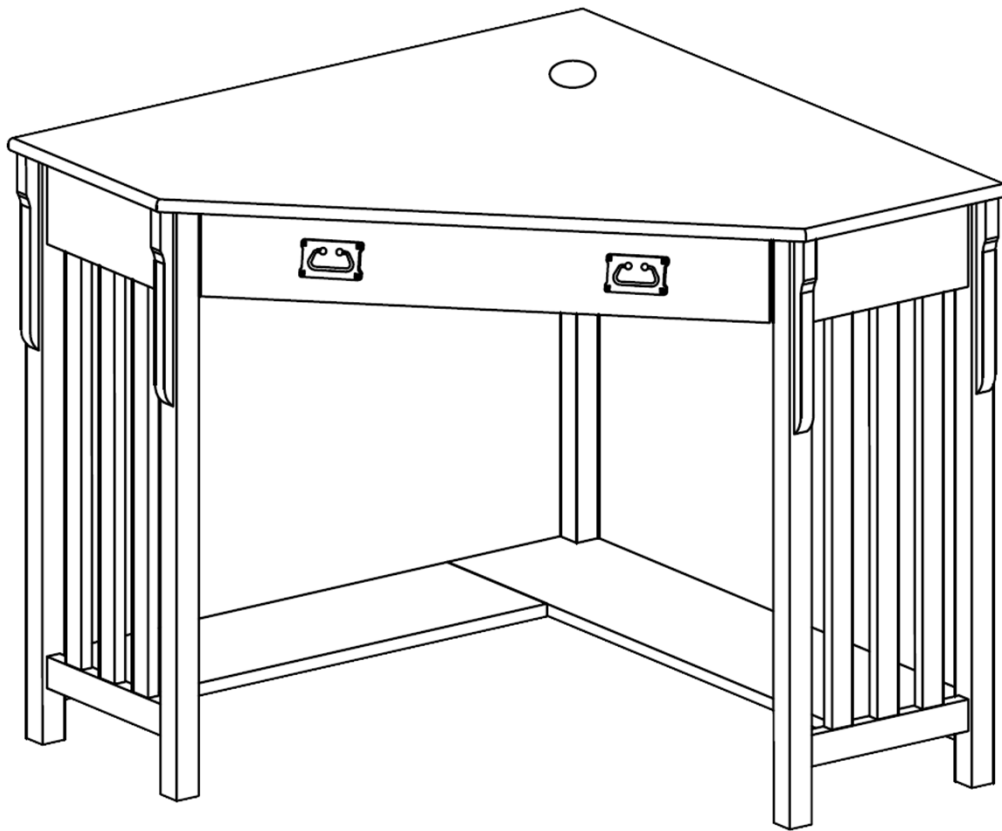


Assembly Instructions



ASSEMBLY RATING

The Assembly Rating is a 5-point system that shows the degree of effort needed in assembling a specific product (with 1 being easy and 5 being difficult). For some products, two persons are recommended.

EASY  DIFFICULT

Tools Required for Assembly:

Allen Wrench/
Screwdriver

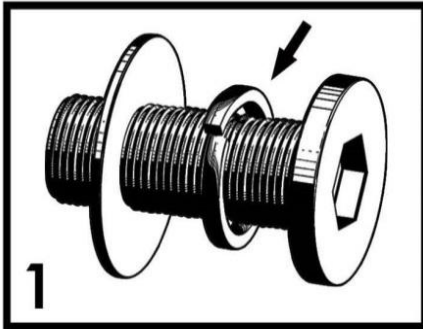


2 PERSONS RECOMMENDED

ASSEMBLY & CARE ADVICE

FOR YOUR FURNITURE TO LAST, CORRECT ASSEMBLY AND PROPER MAINTENANCE ARE NECESSARY. PLEASE FOLLOW THE INFORMATION PROVIDED BELOW TO FULLY ENJOY YOUR FURNITURE.

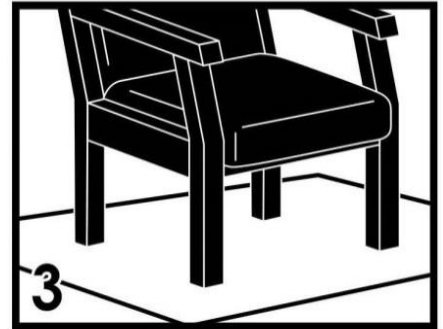
BASIC ASSEMBLY TECHNIQUES



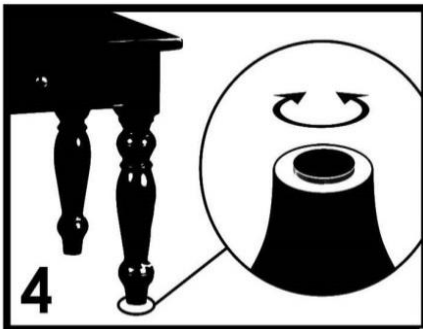
1 When lock or spring washer is used in an assembly, please make sure the lock or spring washer is placed between the larger flat washer and the head of the screw or bolt.



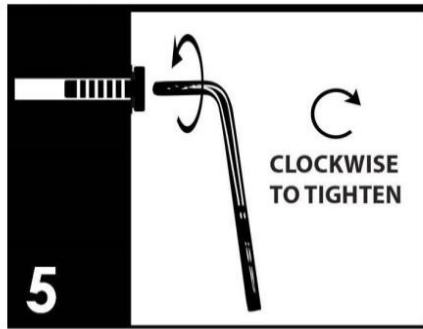
2 Position each part correctly and insert screws or bolts into their respective holes by hand tighten or using the proper hand tool. Only tighten when step is completed or when instructed to do so.



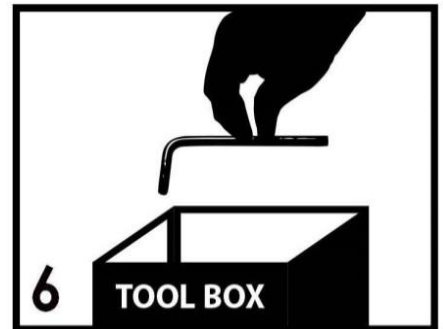
3 Use cardboard or carpet area when assembling furniture to prevent scratches. Make sure the furniture rests on a flat and level surface with each leg evenly touching the floor.



4 Some furniture comes with height adjustment knobs underneath each leg. To lower or to raise each leg, you need to turn clockwise or counterclockwise, respectively.



5 Make sure all parts are properly aligned, then use the appropriate hand tool to completely tighten the bolts or screws. Do not use power tools and do not overtighten.



6 Save the instructions and store the Allen wrench or any supplied tool for later maintenance. After two weeks, check and tighten any loose hardware and repeat again every six months thereafter.

IT IS THE USER'S RESPONSIBILITY TO MAINTAIN THE FURNITURE. THE HARDWARE MAY LOOSEN OVER TIME AND MAY CAUSE THE FURNITURE TO BE WOBBLY AND UNABLE TO SUPPORT ITS INTENDED WEIGHT CAPACITY. THIS MAY LEAD TO COLLAPSE AND MAY CAUSE SERIOUS INJURY.

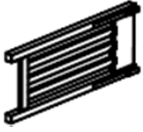


FAILURE TO FOLLOW THE GUIDELINES ABOVE MAY RESULT IN INJURY AND/OR PROPERTY DAMAGE.

Parts List



#1 x 1 pc
Left Leg Stand



#2 x 1 pc
Right Leg Stand



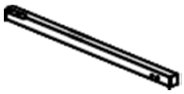
#3 x 1 pc
Left Shelf



#4 x 2 pcs
Shelf Support



#5 x 1 pc
Right Shelf



#6 x 1 pc
Center Leg



#7 x 1 pc
Desk Top

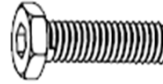
Hardware List (Continued)



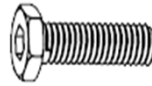
#D x 10 pcs
Lock Washer



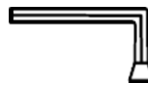
#E x 2 pcs
Bolt 1/4"x50



#F x 4 pcs
Bolt 1/4"x38



#G x 4 pcs
Bolt 1/4"x30



#H x 1 pc
Allen/Screwdriver

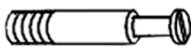


#I x 12 pcs
Wood Dowel



#J x 8 pcs
Screw

Hardware List



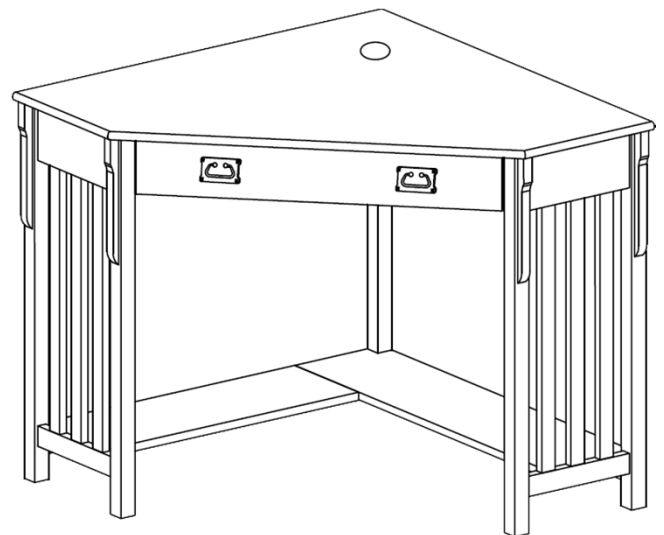
#A x 5 pcs
Cam Bolt



#B x 5 pcs
Cam Connector

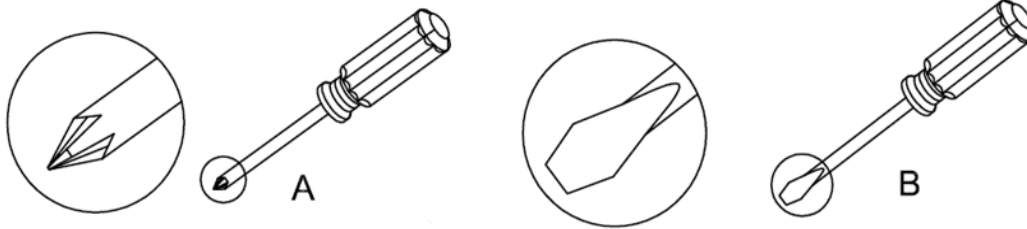


#C x 10 pcs
Flat Washer



CAM LOCK FASTENER ASSEMBLY INSTRUCTIONS

Note: Every cam lock bolt must have a cam lock connector in order to fasten the parts together.



(1) Secure the threaded end of the cam bolt by using a screwdriver. Turn right (clockwise) to tighten.

B Align the cam connector with its side opening (or arrow) pointing to the small drilled hole.

(2) Insert the cam lock bolt into the pre-drilled hole above the cam connector.

(3) Two parts should fit snugly against each other.

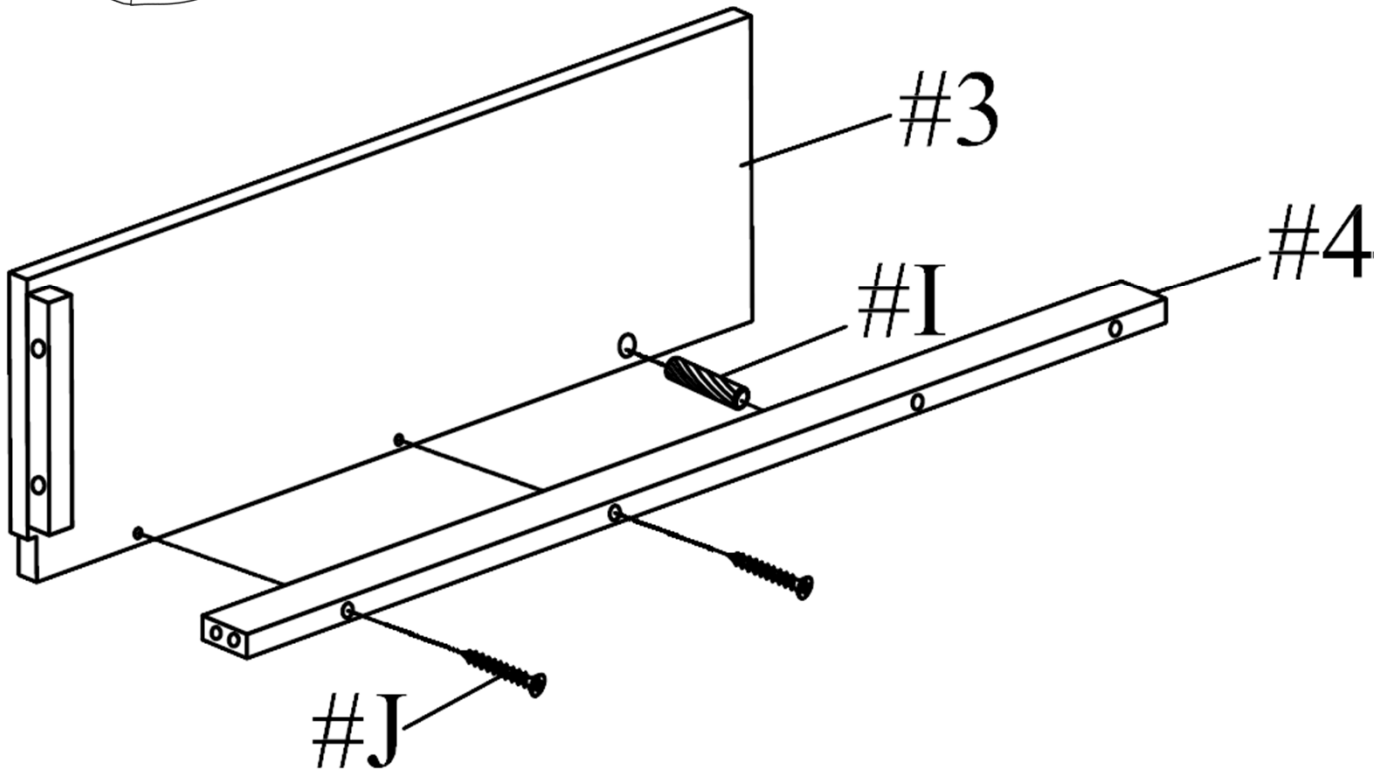
(4) Turn the cam connector with a screwdriver until it will not turn any more with light to moderate force. Turn right (clockwise) to tighten.



Due to the size and/or weight of this product, it is highly recommended that the assembly should be done near the area of its intended location. Make sure you have enough space to move around during the assembly. ALWAYS have at least two people to help with transporting and assembling the product to avoid any potential injury and/or damage.



#1



#3

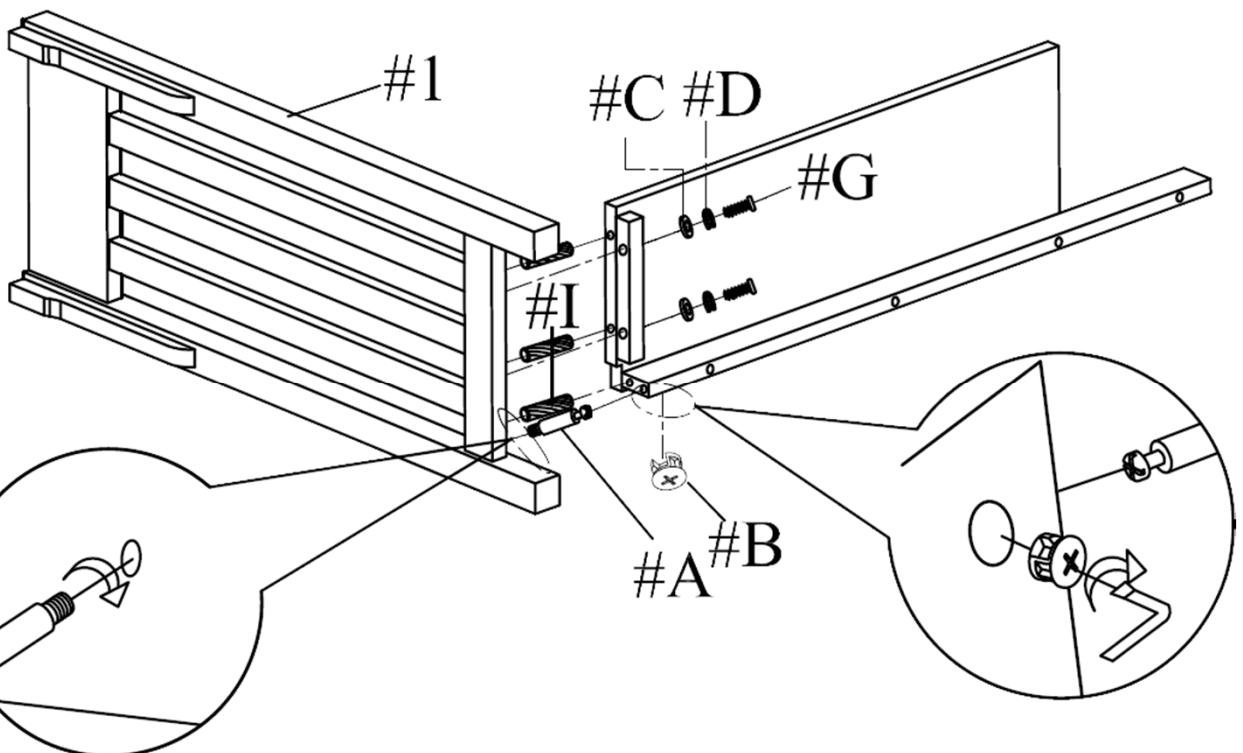
#4

#I

#J



#2



#1

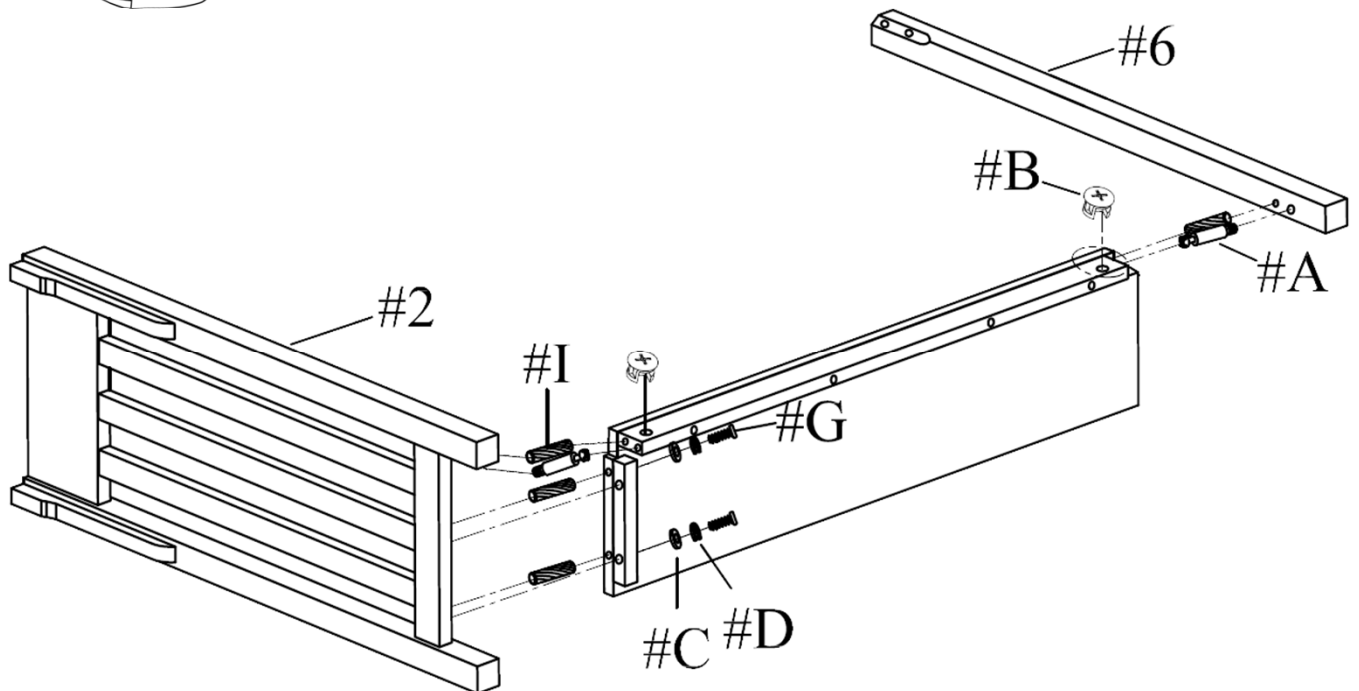
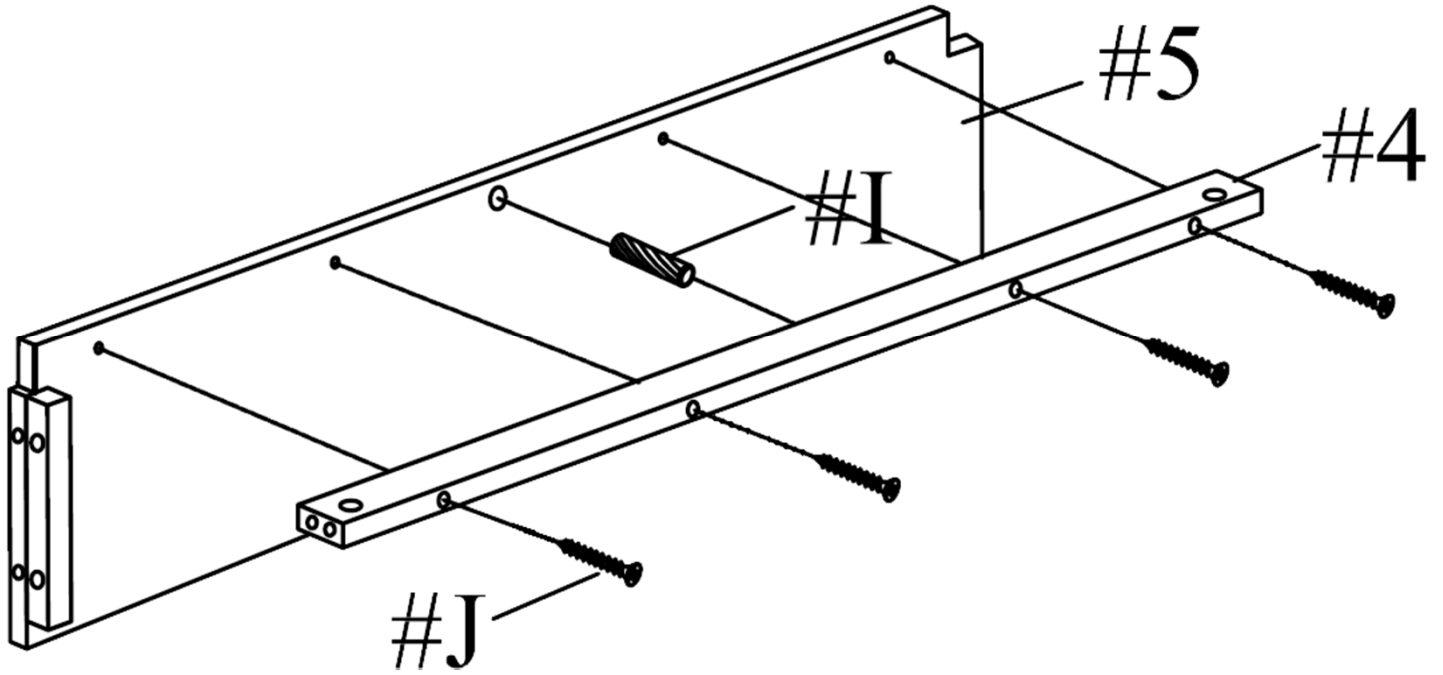
#C #D

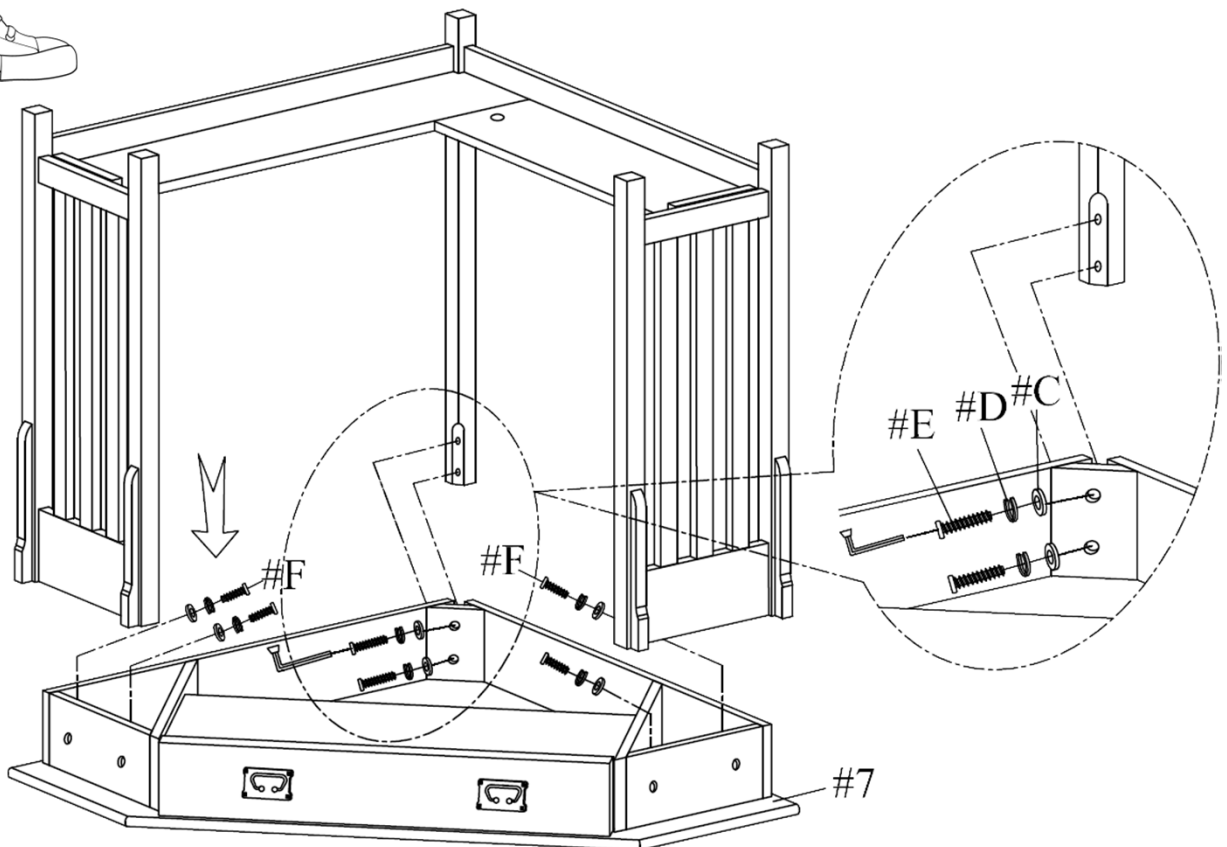
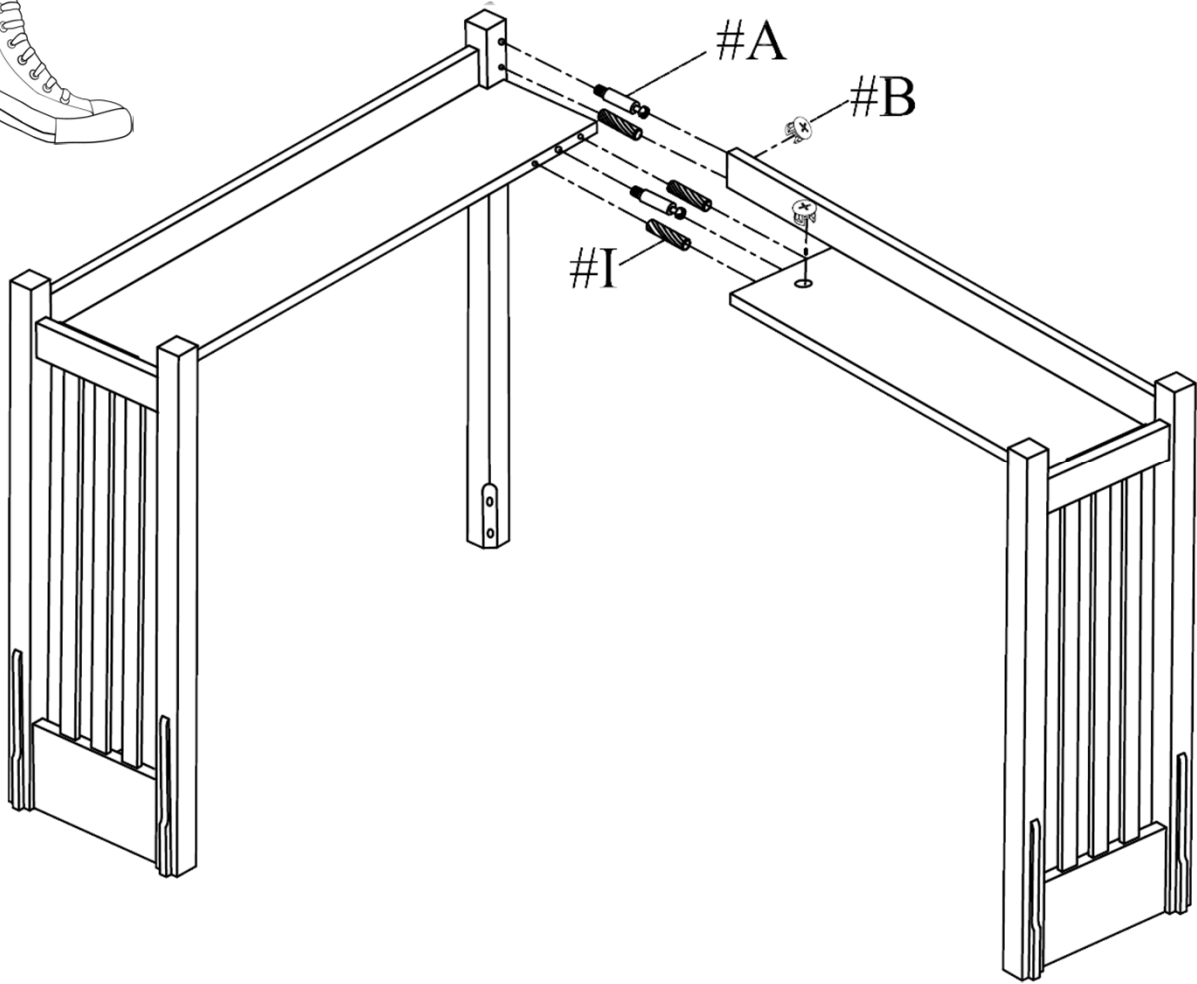
#G

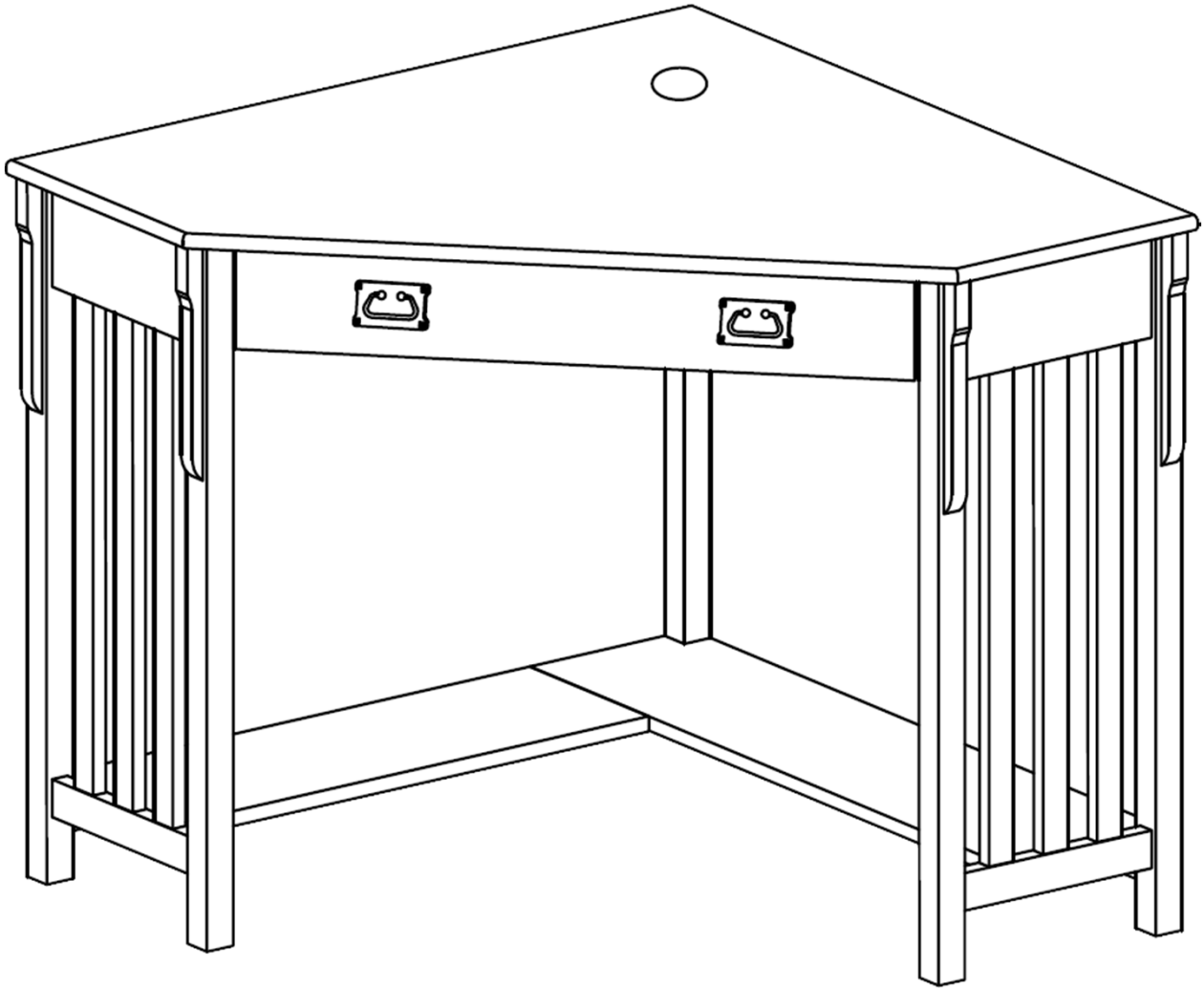
#I

#A

#B







ASSEMBLY IS COMPLETED