

LIMITED WARRANTY* ONE (1) YEAR:

Your small appliance is warranted to the original purchaser to be free from any manufacturing defects under normal use and conditions for one (1) year, cord excluded. During that period, should the appliance fail to operate properly, return the appliance with your sales receipt to the store where purchased. If you use your appliance for household use and according to instructions, it should give you years of satisfactory service. This product warranty covers only the original consumer purchase of the product.

WARRANTY IS ONLY VALID WITH A DATED PROOF OF PURCHASE.

To guarantee repair or replacement without charge, a dated sales receipt showing purchase within the limited warranty period* must accompany the appliance. Without a sales receipt, warranty will be estimated according to the appliance's manufactured date. A comparable appliance should arrive within 2-3 weeks. However, in case an appliance is not covered by warranty, correspondence offering alternatives will be mailed to you. During the limited one-year warranty period, a product with a defect will be either repaired or replaced with a comparable reconditioned model (at our option) when the product is returned to our Service Center. (See the "Returns" section below). The repaired or replacement product will be in warranty for the remaining balance of the limited one-year warranty period and an additional one-month (30 day) period.

This limited warranty covers appliances purchased and used within the 48 contiguous states plus Alaska, Hawaii and the District of Columbia excluding Puerto Rico and the Virgin Islands and does NOT cover:

- Damage caused by unreasonable use, neglect, normal wear and tear, commercial use, improper assembly or installation of product.
 - Damage caused in shipping.
 - Damage caused by replacement or resetting of house fuses or circuit breakers.
 - Defects other than manufacturing defects.
 - Breakage caused by misuse, abuse, accident, alteration, lack of proper care & maintenance, and incorrect current or voltage.
 - Lost or missing parts of the product. Parts will need to be purchased separately.
 - Damages of parts that are not electrical; for example: cracked or broken plastic or glass.
 - Damage from service or repair by unauthorized personnel.
 - Extended warranties purchased via a separate company or reseller.
 - Consumer's remorse is not an acceptable reason to return a product to our Service Center.
- *The consumer is responsible for delivery charges for all replacement units provided for exchange under the warranty.

RETURNS: Any return of defective merchandise to the manufacturer must be processed accordingly by contacting customer service first to obtain an RA # (Return Authorization Number). We will not accept any returns of merchandise without an applicable RA #.

We cannot assume responsibility for loss or damages to products returned to us during incoming shipment. For your protection, always carefully package the product for shipment and insure with the carrier. Be sure to enclose the following items with your return: any accessories related to the problem, your full address and daytime phone number, a note describing the problem, a copy of the dated sales receipt or other proof of purchase and a valid RA#. C.O.D shipments cannot be accepted.

*One Year Limited Warranty valid only in the 48 contiguous states, Alaska, Hawaii and the District of Columbia, excluding Puerto Rico and the Virgin Islands.

This warranty is effective only if the product is purchased and operated in the USA; product usage which is in violation of the written instructions provided with the unit will void this warranty. For international warranty, please contact the local distributor.

**Any instruction or policy included in this manual may be subject to change at any time.

Model EPM -250

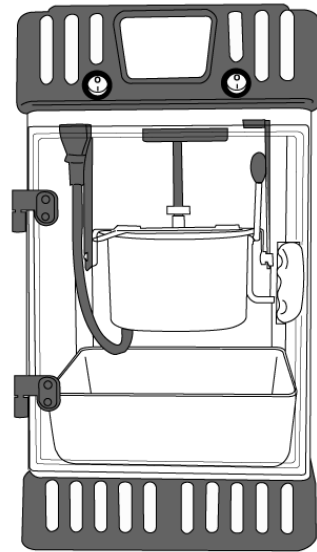
Elite 2.5Oz. Countertop Popcorn Maker

Distributed by: **MAXI-MATIC**®, USA
18401 E. Areth Ave. Building B. City of Industry, CA 91748
Customer Service Department: (626) 912-9877 Ext. 120 MON-FRI 10am-5pm PST
Email: info@maxi-matic.com Website: www.maxi-matic.com

Elite
Popcorn

2.5oz. Countertop Popcorn Maker

Model: EPM-250



INSTRUCTION MANUAL

IMPORTANT SAFEGUARDS

When using any electrical appliance, basic safety precautions should always be followed, including the following:

- 1. READ ALL INSTRUCTIONS BEFORE USING YOUR POPCORN MACHINE.**
2. Do not touch hot surfaces. Always use handles or knobs to operate.
3. To avoid any risk of electrical shock, do not immerse cord or plug into water or other liquid.
4. This appliance should not be used by or near children, or individuals with certain disabilities.
- 5. UNPLUG MAIN POWER CORD FROM OUTLET WHILE NOT IN USE AND BEFORE CLEANING.**
6. Allow HOT parts to cool down before maneuvering and clean.
7. Do not operate this or any other appliance with a damaged cord or plug, or after the appliance malfunctions or has been damaged in any matter. Send the unit to the nearest authorized service center for examination, repair or adjustment. (ONLY qualified technicians should repair the unit.)
8. The use of any accessories or attachments not recommended by the manufacturer may cause injury.
9. Do not pop the kernels with a dry kettle (without oil).
10. Do not immerse popping kettle into water.
11. Kettle surface is HOT and should NOT be touched during popping or just after use.
12. Unplug the unit and allow to cool. Clean and cover the unit and store in a dry and safe place if not being used for an extended period of time.
13. Do not let power cord hang over edge of table or counter or touch any hot surfaces.
14. Do not place the unit on or near a hot gas or electric burner or in a heated oven.
15. Do not move this or any appliance containing hot oil or other hot oil, water or other liquids.
16. Turn ALL switches to OFF position before disconnecting power plug from the power source.
17. This appliance is Not recommended for outdoor use.
18. Do not use appliance for other than intended use.
19. To avoid overheating, always add oil and than kernels before operating.
20. Extreme caution must be used when removing/serving popcorn. Always place the unit over a countertop so that residual hot oil or water running out will not cause burns.
- 21. KEEP OUT OF REACH OF CHILDREN.**
- 22. Do NOT CLEAN USING ANY ABRASIVE MATERIAL.**
- 23. NEVER FORCE ANY PARTS OR BRACKETS INTO POSITION.**
24. CAUTION: Injury and/or Burns may result from non-compliance with these operating procedures.
25. No parts are intended for dishwasher (except removable tray & spoons).
26. A popper that is plugged into a power source should not be left unattended.

SAVE THESE INSTRUCTIONS FOR HOUSEHOLD USE ONLY.

A short power-supply cord (or detachable power-supply cord) is provided to reduce the risk resulting from becoming entangled in or tripping over a longer cord. Longer detachable power-supply cords or extension cords are available and maybe be used if care is exercised in their use.

If a longer detachable power-supply cord or extension cord is used, The marked electrical rating of the cord set or extension cord should be at least as great as the electrical rating of the appliance, and The longer cord should be arranged so that it will not drape over the countertop or tabletop where it can be pulled on by children or tipped over unintentionally.

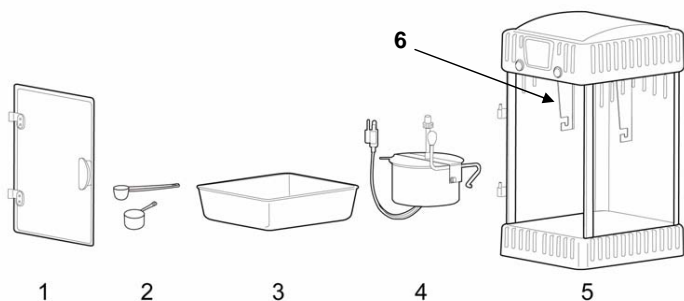
2.5oz COUNTERTOP POPCORN MAKER

SPECIFICATIONS:

Model no.: EPM-250

Voltage: AC120V ~60Hz

COMPONENTS

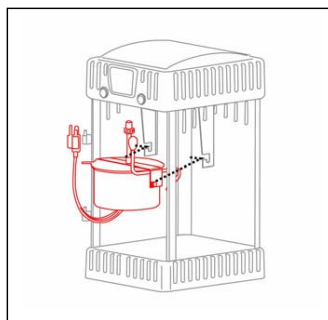


1. Door
2. Measuring Cup & Spoon
3. Removable Popcorn Tray

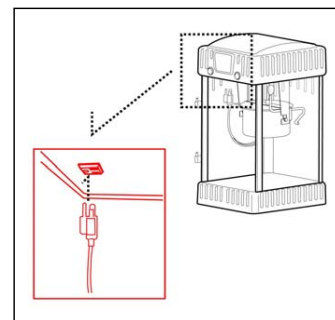
4. Popping Kettle
5. Main Popcorn Unit
6. Hangers

-3-

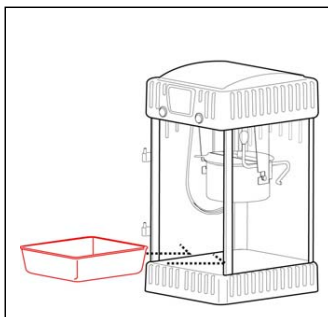
ASSEMBLY PROCEDURE



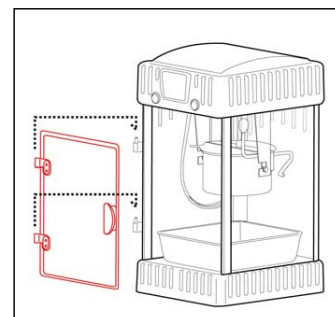
Step 1:
Hook the kettle onto the hanger inside the main popcorn unit.



Step 2:
Insert the kettle's power plug into the electrical socket on the inner ceiling of the main popcorn unit.



Step 3:
Set the removable tray in the Main Popcorn unit below the kettle.



Step 4:
Place the door onto the hinges by aligning the pins on the main popcorn unit with the holes of the hinges on the door.

-4-

POPPING INSTRUCTIONS

1. Make sure the popcorn maker is unplugged before you do any of the following:
2. Before using the unit, please check carefully to be sure voltage (AC120V ~60Hz) is suitable to your home.
3. Clean the internal surface of the kettle with warm soapy water, rinse well and dry with clean cloth. Wipe down inner and outer surfaces of the main popcorn unit with damp cloth.
4. Main popcorn unit has a 2-function switch as follows:



- **LIGHT**: to turn the internal light bulb on.



- **POP**: to turn the stirring stick motor & heater on.

5. Install popping kettle by hooking the kettle onto the hangars inside the main popcorn unit (see step 1).
6. Insert the internal kettle plug into the socket on the ceiling inside the main popcorn unit.
7. Plug the external power cord into an electric wall outlet.
8. Before pouring oil or kernels into the kettle, lift lid using the lid tab. Add oil (1 tablespoon of vegetable, corn, peanut, or coconut oil).
9. Turn both LIGHT & POP switches to ON position. The light, heater and motor will be on. Let the kettle preheat the oil for about 2 to 3 minutes. Turn the POP switch to off position and add 1/3 cup of corn kernels (Note: 1/3 measuring cup included) and close lid to the kettle. Turn POP switch back on, stirrer will begin to rotate and heater will heat up the oil and corn.
CAUTION: Lid might be hot – it is recommended to use an oven mitt.
10. Popcorn starts popping out through the lid after about 2 minutes.
11. When unit is finished popping – you will no longer hear the corn popping – immediately turn the POP switch to the OFF position and pull down the handle bar of the kettle to release any remaining popcorn in the popper. This will also stop the remaining popcorn from cooking any further and avoid possible burning.
12. Keep POP switch off if the unit is not in use. Always allow the kettle to cool-down approximately 5-10 minutes between continuous batches of three. This will avoid over-heating the kettle
13. Remove plug from power supply when the unit is not being used.
14. Repeat step 8 to 10 for continuous popping.

-5-

CLEANING AND MAINTENANCE

It is strongly recommended to clean the kettle frequently to avoid burning excess oil onto the bottom of the inner pot. After using the popcorn machine, let it cool, and use a wet cloth to clean the main unit body. It is strongly recommended to wash and dry the tray after each use to avoid any bacteria buildup. The light bulb is replaceable with an AC120V 10W bulb.

KETTLE QUICK CLEANING PROCEDURE

Turn the POP control to off. Pour 4 to 6 ounces of water (NO detergent is necessary) into inner kettle pot. Switch to POP to boil the water and let the stirrer turn in order to remove excess oil stuck on the surface. Leave on for approximately 1-2 minutes. Shut off and let cool. After cooling, pour out the water out and discard. **CAUTION: THE KETTLE MAY BE HOT.**

You may also remove the kettle and clean it with a Scotch-Brite scouring pad (Not included). **NEVER immerse kettle or electrical plug in water or other liquids.**

You may also consider using a cleaning product designed for removing carbon deposits and is specially formulated to clean popcorn kettles.

-6-