

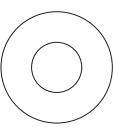
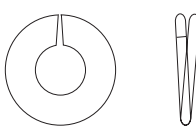
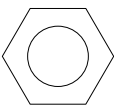

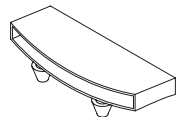
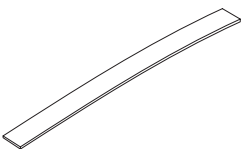

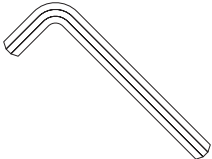
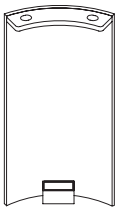
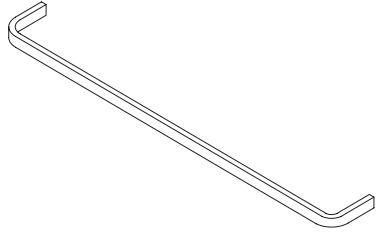
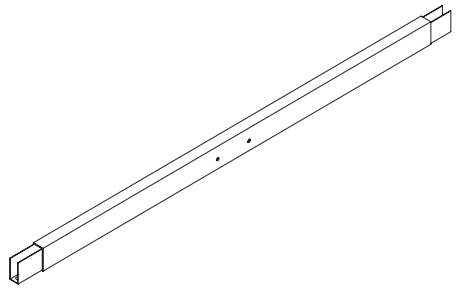
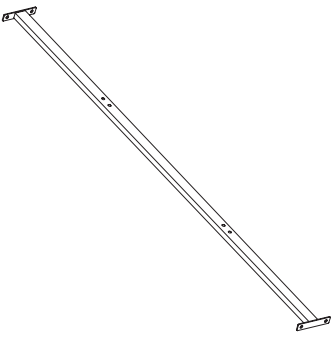


Platform (Full Bed Frame) assembly instructions

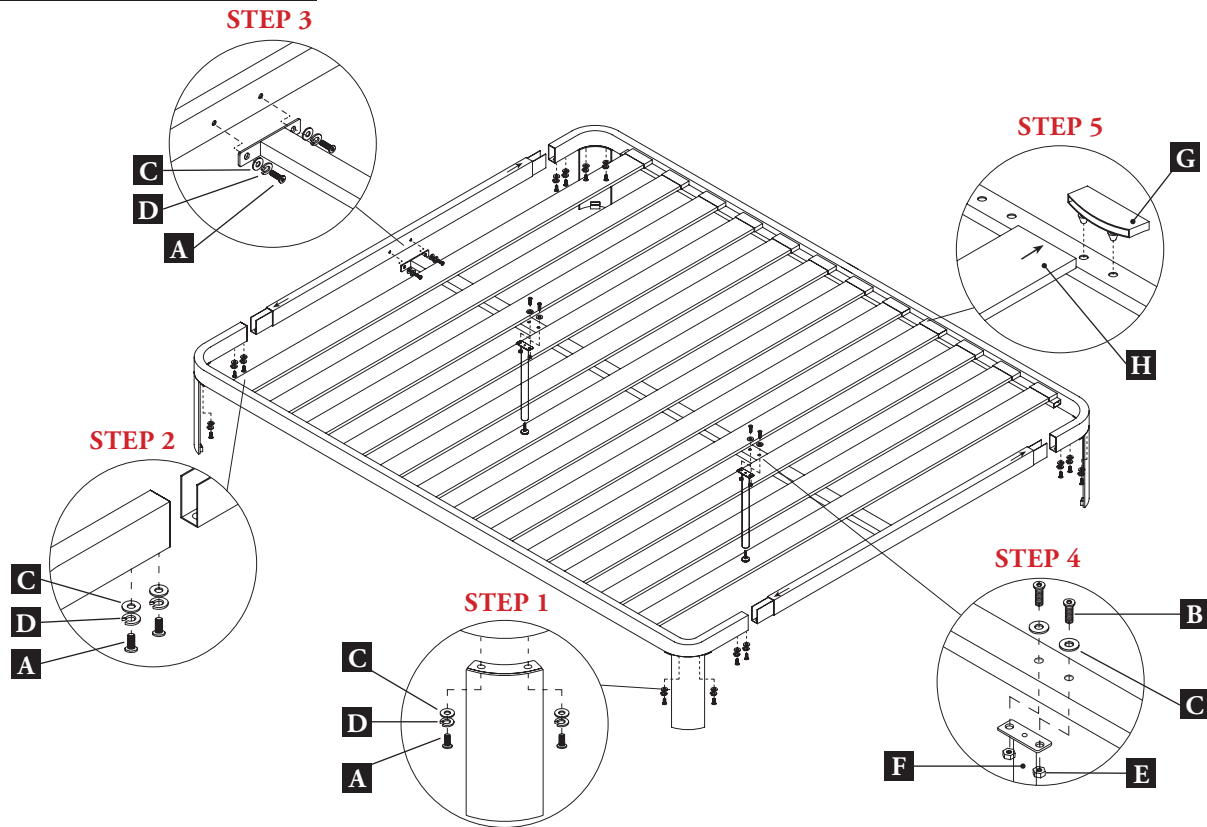
PARTS INCLUDED

<p>A</p>  <p>ALLEN HEAD SCREW (20 pcs) - 1/4" x 3/4"</p>	<p>B</p>  <p>ALLEN HEAD SCREW (4 pcs) - 1/4" x 1 1/4"</p>	<p>C</p>  <p>FLAT WASHER (24 pcs) - 1/4"</p>	<p>D</p>  <p>SPRING WASHER (20 pcs) - 1/4"</p>	<p>E</p>  <p>HEX NUT (4 pcs) - 1/4"</p>
<p>F</p>  <p>ADJUSTABLE SUPPORT LEG (2 pcs)</p>	<p>G</p>  <p>PLASTIC CAP (ONE END) (22 pcs)</p>	<p>H</p>  <p>WOOD SLATE (11 pcs)</p>	<p>I</p>  <p>OPEN WRENCH (1 pc) - 1/4"</p>	<p>J</p>  <p>ALLEN WRENCH (1 pc) - 1/4"</p>

 <p>LEG (4 pcs)</p>	 <p>SIDE RAIL (2 pcs)</p>
 <p>SHORT RAIL (2 pcs)</p>	 <p>MIDDLE RAIL (1 pc)</p>

Platform (Full Bed Frame) assembly instructions

BED FRAME ASSEMBLY



STEP 1

Assemble each leg with 2 Allen head screws (3/4") **A**, 2 spring washers **D** and 2 flat washers **C**. Do not tighten screws.

STEP 2

Assemble short rail to side rail with 2 Allen head screws (3/4") **A**, 2 spring washers **D** and 2 flat washers **C** for each end. Do not tighten screws.

STEP 3

Turn the bed frame upright. Attach the middle rail to the short rail and insert 2 Allen head screws (3/4") **A**, 2 spring washers **D** and 2 flat washers **C** at each end. Do not tighten screws.

STEP 4

Assemble each support leg with **F** 2 Allen head screws (1-1/4") **B**, 2 flat washers **C**, and 2 hex nuts **E** at the allotted spots. Tighten hex nuts and screws with provided Open wrench **I** and Allen wrench **J**.

STEP 5

Assemble plastic caps **G** and wood slates **H**. Insert plastic caps **G** into holes on rail and push in.

STEP 6

Tighten the screws from Step 1 to 4 using the proper Allen wrenches.

**NOTE: MAKE SURE THAT ALL SCREWS ARE TIGHTEN.
ADJUST THE ADJUSTABLE SUPPORT LEG (PART F) BEFORE USING THE BED.**