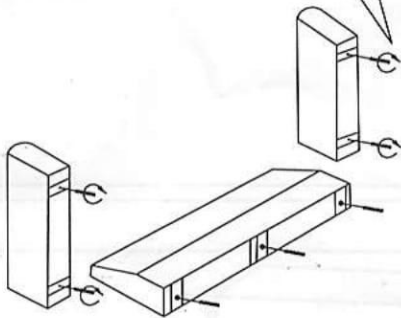
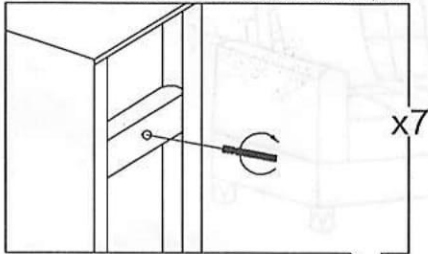


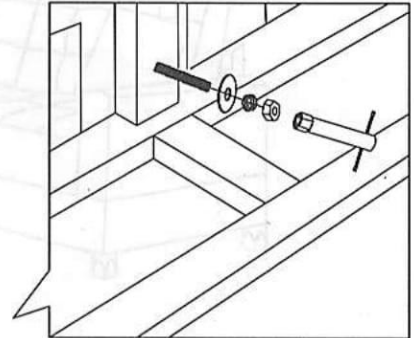
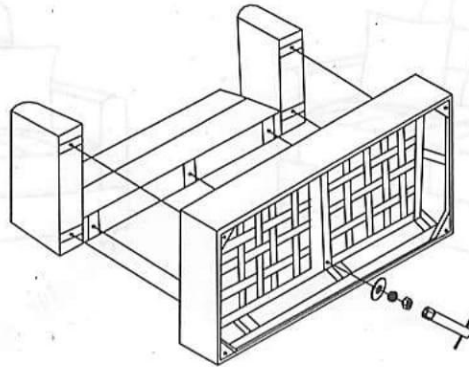
LOVESEAT ASSEMBLY INSTRUCTION-BOX 1

STEP 1 - INSERT THREADED RODS INTO SEAT BACKS & ARM

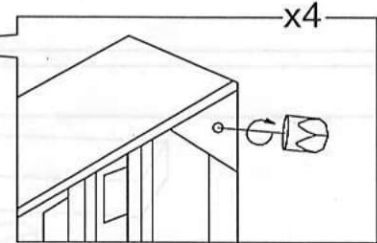
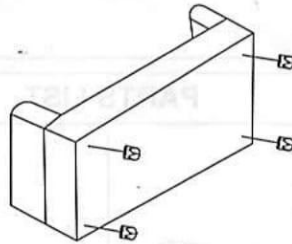
Shorter end of the threaded screw going into the bach panel



STEP 2 - MOUNT SEAT BACKS & ARM INTO THE SEAT FRAME

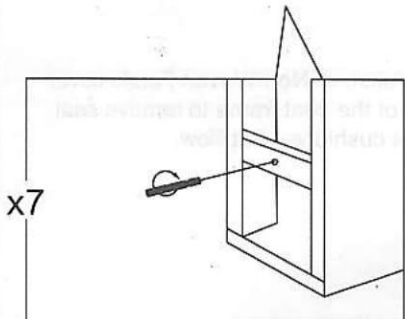
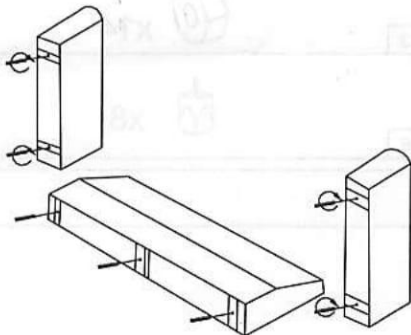


STEP 3 - PUT BACK THE FABRIC COVER AND INSERT LEG

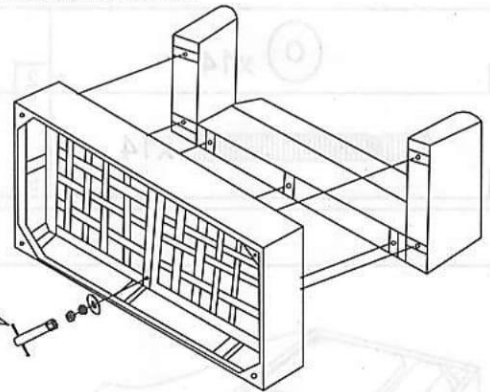
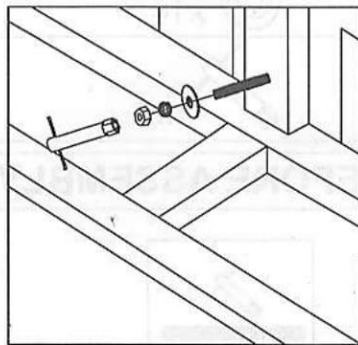


SOFA ASSEMBLY INSTRUCTION-BOX 2

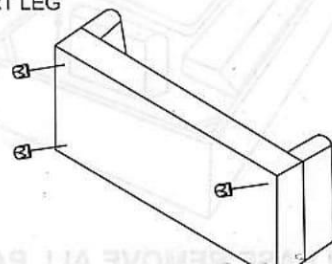
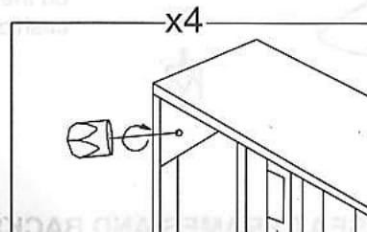
STEP 1 - INSERT THREADED RODS INTO SEAT BACKS & ARM



STEP 2 - MOUNT SEAT BACKS & ARM INTO THE SEAT FRAME



STEP 3 - PUT BACK THE FABRIC COVER AND INSERT LEG



Shorter end of the threaded screw going into the bach panel