

Instruction Manual for:

FLOOR LAMP SHELF

Questions?

IMPORTANT SAFETY INSTRUCTIONS:

This portable lamp has a polarized plug (one blade is wider than the other). As a safety feature to reduce the risk of electrical shock and fire, this plug will fit in a polarized outlet only one way. If the plug does not fit fully in the outlet, reverse the plug. If it still does not fit, contact a qualified electrician. Never use with an extension cord unless the plug can be fully inserted. Do not alter this safety feature.

This lamp is for indoor use only. The lamp should not be used near water. Never immerse the lamp in water or other liquids. Never cover the lamp with any object including cloth or paper as this is a fire hazard. Do not handle the bulb immediately after the light is turned off as it will be hot. This is not a toy.



Preparation

Before beginning assembly of product, make sure all parts are present. Compare parts with package contents list and diagram. If any part is missing or damaged, do not attempt to assemble product. Contact customer service for replacement parts.

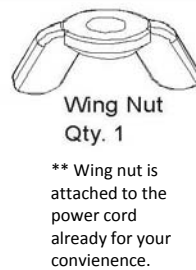
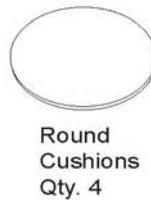
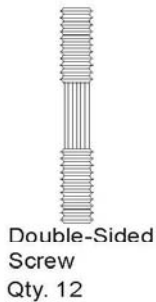
Estimated Assembly Time: 20 minutes

Tools required for Assembly: Phillips Head Screwdriver (not included)

CONTENTS

DESCRIPTION	QUANTITY
Fabric shade	1
Bottom board	1
Shelf board	2
Lamp holder board	1
Short pole	4
Long pole	12
Top frame	1
Lamp holder	1

HARDWARE CONTENTS (shown actual size)



ASSEMBLY INSTRUCTIONS:

Step 1: Holding bottom board (3) upside-down, Insert four screws (2) through the holes in the four corners and tighten into four long poles (4) so that the screw-heads are recessed into the bottom board (3). Place round cushions (1) to cover the four holes. Turn this completed section right-side-up. Screw four double-sided screws (5) into top of the four long poles (4). Place first shelf board (6) onto four protruding double-sided screws (5).

Step 2: Screw four long poles (4) onto the protruding double-sided screws (5). Screw four double-sided screws (5) into top of the four long poles (4). Place second shelf board (6) onto four protruding double-sided screws (5).

Step 3: Screw four long poles (4) onto the protruding double-sided screws (5). Screw four double-side screws (5) into top of the four long poles (4). Place lampholder board (7) onto four protruding double-sided screws (5). Attach the lampholder to this lampholder board (7) by inserting the base screw of the lampholder through the lampholder board (7) and securing it with the wing nut (14) underneath the lampholder board (7).

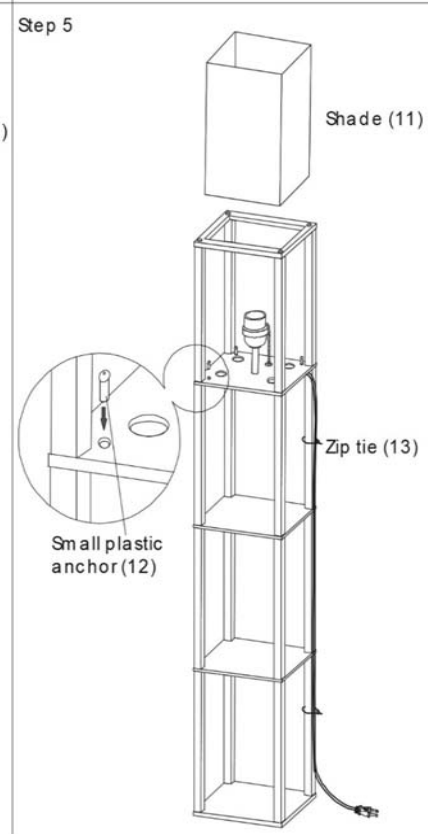
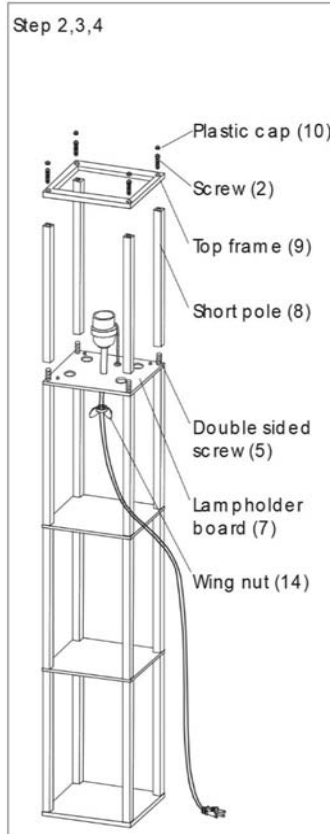
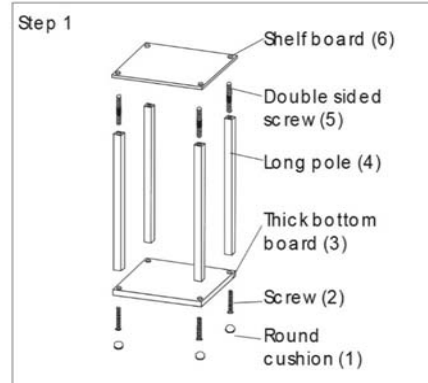
Step 4: Screw four short poles (8) onto the protruding double-sided screws (5). Place top frame (9) onto the four poles insert four screws (2) through holes in the four corners and tighten into four short poles (8) so that the screw-heads are recessed into the top frame (9). Place small plastic caps (10) into recessed holes in the four corners.

Step 5: Insert the four small plastic anchors (12) into the small holes near the corners of the lampholder board (7). Unfold fabric shade (11) and place through the top frame (9) down onto the lampholder board (7) outside of the four small plastic anchors (12). Use plastic zip ties (13) to secure the electric cord to the poles along the side.

CLEANING & MAINTENANCE:

1. Unplug the fixture before cleaning.
2. Use a clean, dry, soft, lint-free cloth.
3. Do not use water or other chemical cleaning agents.

Requires 1 x 100
Watt Type A
Medium Base
Bulb (not
included)



LIMITED WARRANTY
