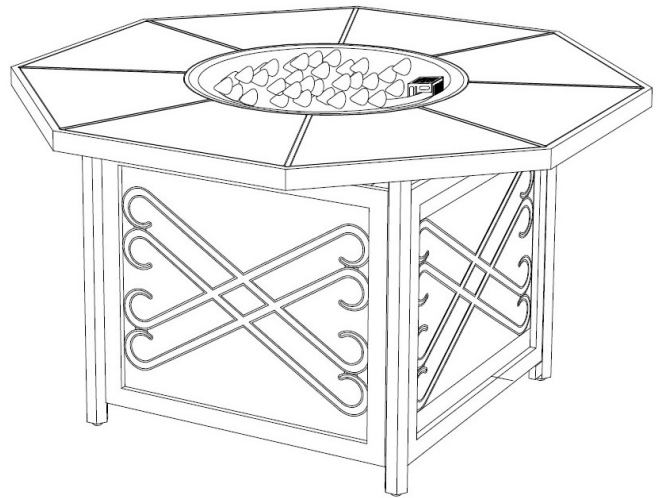


# Outdoor Gas Fire Pit with Porcelain Tiles



ANSI Z21.97/CSA 2.41-2014  
Outdoor Decorative Gas Appliances



Installer: Leave these instructions with consumer.  
Consumer: Keep these instructions for further reference.

**⚠ WARNING: For Outdoor Use Only.**

**⚠ DANGER**

If you smell gas:

- Shut off gas to the appliance.
- Extinguish any open flame.
- If odor continues, keep away from the appliance and immediately call your gas supplier or fire department.

**⚠ WARNING**

Do not store or use gasoline, or other flammable vapors and liquids, in the vicinity of this or any other appliance. An LP-cylinder not connected for use shall not be stored in the vicinity of this or any other appliance.

**⚠ DANGER**



**CARBON MONOXIDE HAZARD**

This appliance can produce carbon monoxide which has no odor.

Using it in an enclosed space can kill you.

Never use this appliance in an enclosed space such as a camper, tent, car or home.

**⚠ WARNING:** Improper installation, adjustment, alteration, service or maintenance can cause injury or property damage. Read the installation, operating, and maintenance instructions thoroughly before installing or servicing this equipment.

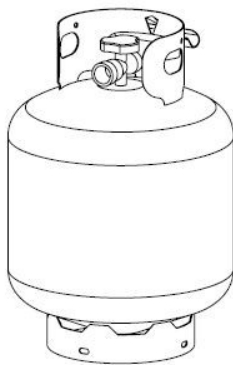
Questions, Problems, Missing Parts?

# IMPORTANT SAFETY INFORMATION

1. The installation must conform with local codes or, in the absence of local codes, with the National Fuel Gas Code, ANSI Z223.1 • NFPA 54; National Fuel Gas Code; Natural Gas and Propane Installation Code, CSA B149.1; or Propane Storage and Handling Code, CSA B149.2, as applicable.
2. The appliance must be isolated from the gas supply piping system by closing its individual manual shutoff valve during any pressure testing of the gas supply piping system at test pressures equal to or less than 1/2 psi (3.5 kPa).
3. The maximum inlet gas supply pressure is 250 psi.
4. The appliance area must be kept clear and free from combustible materials, gasoline, and other flammable vapors and liquids.
5. Do not use this appliance if any part has been under water. Immediately call a qualified service technician to inspect the appliance and to replace any part of the control system and any gas control that has been under water.
6. **Children and adults should be alerted to the hazards of high surface temperatures and should stay away to avoid burns or clothing ignition.**
7. **Young children should be carefully supervised when they are in the area of the appliance.**
8. **Clothing or other flammable materials should not be hung from the appliance or placed on or near the appliance.**
9. **Any guard or other protective device removed for servicing the appliance shall be replaced prior to operating the appliance.**
10. **Installation and repair should be done by a qualified service person. The appliance should be inspected before use and at least annually by a qualified service person. More frequent cleaning may be required as necessary. It is imperative that the control compartment, burners, and circulating air passageways of the appliance are kept clean.**
11. **CAUTION:** The propane gas pressure regulator provided with this appliance must be used. This regulator is set for an outlet pressure of 11 inches water column.
12. DO NOT burn solid fuels in this appliance.
13. This outdoor gas appliance is for Outdoor Use ONLY.
14. This outdoor gas appliance is not intended to be installed in or on recreational vehicles and/or boats.
15. This outdoor appliance is not for use on wood decks or other flammable surface.
16. Before each use of this gas appliance, open the door and/or the LP (Liquid Propane) Tank Drawer and inspect the hose. If there is evidence of excessive abrasion or wear or if the hose is damaged, the hose assembly must be replaced prior to the appliance being put into operation. Use only the replacement hose assembly specified in this manual. Make sure to leak test.
17. Before each use of this gas appliance, inspect the burner, the burner must be replaced prior to the appliance being put into operation if it is evident that the burner is damaged. Use only the replacement burner specified in this manual.
18. Make sure to properly locate the gas hose including locating the hose out of pathways where people may tip over it or in areas where the hose may be subject to accidental damage.
19. Keep the fuel supply hose away from any heated surface.
20. Never use this appliance closer than 10 feet from anything flammable, including houses or overhead tree branches.
21. Never use gasoline, kerosene, or any other liquid fuel to start a fire.
22. Always maintain a safe distance from the fire.
23. Always supervise children around the fire.
24. Never leave a fire unattended.
25. The appliance is hot during and after use, always allow ample cooling time before touching or moving.

# IMPORTANT SAFETY INFORMATION ABOUT PROPANE (LP) GAS

1. The LP-gas supply cylinder to be used must be constructed and marked in accordance with the U.S. Department of Transportation (D.O.T.) *Specifications for LP-Gas Cylinders, or the Standard for Cylinders, Spheres and Tubes for Transportation of Dangerous Goods and Commission, CAN/CSA-B339*, as applicable.
2. The LP-gas supply cylinder to be used must have a listed overfilling prevention device (See Figure 1).
3. The LP-gas supply cylinder to be used must have a cylinder connection device compatible with the connection for the appliance.
4. A self contained LP-gas cylinder for use with this appliance must have a capacity of 20 lbs. cylinder (Height about 18 in., Tank Body about dia12 in., Base about dia8 in.).
5. The cylinder supply system must be arranged for vapor withdrawal.
6. The cylinder used must include a collar to protect the cylinder valve.
7. This appliance shall be used only outdoors in a well-ventilated space and shall not be used in a building, garage or any other enclosed space.
8. When this appliance is not in use, the gas must be turned off at the supply cylinder.
9. Storage of this appliance indoors is permissible only if the cylinder is disconnected and removed from the Appliance.
10. Cylinders must be stored outdoors in a well-ventilated area out of the reach of children, Disconnected cylinders must have threaded valve plugs tightly installed and must not be stored in a building, garage or any other enclosed areas.
11. This appliance is certified by CSA (Canadian Standards Association) to ANSI Outdoor Decorative Gas Appliances.
12. The gas hose is routed through two "U" rings to prevent the hose from coming in contact with the burner. DO NOT remove the hose from the "U" rings (See Figure 2).



Standard 20 lb. tank

Figure 1

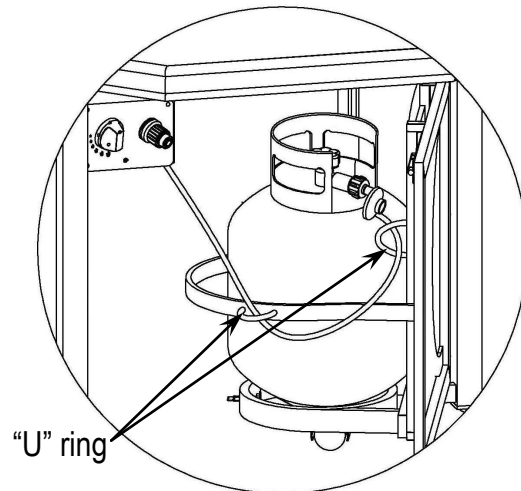
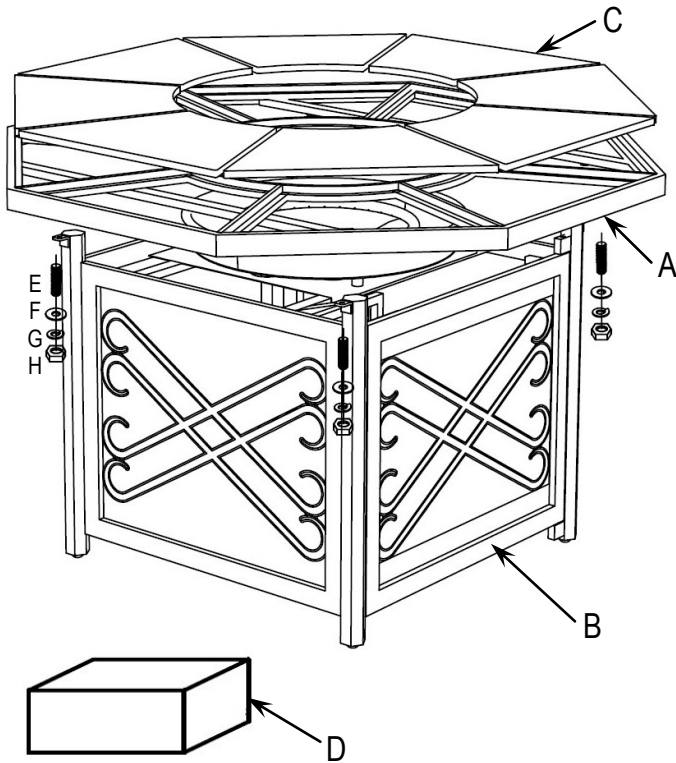


Figure 2

## SPECIFICATIONS

Rated Heat Input (Liquid Propane & Natural Gas)	50,000 BTU/hr
Propane Regulator Pressure	11 inches water column
Natural Gas Inlet Pressure	7 inches water column
Clearance to combustible surfaces	Sides: 24in. (610mm), Top: 72in. (1829mm)

# PACKAGE CONTENTS



PART	DESCRIPTION	QUANTITY
A	Table top frame	1
B	Base assembly	1
C	Porcelain tile	10pcs (8pcs for assembly, 2pcs for replacement)
D	Lava rock (15.4 lbs)	1 pkg

PART	DESCRIPTION	PICTURE	QUANTITY
E	Stud (5/16"*30)		4
F	Washer		4
G	Spring washer		4
H	Nut (5/16")		4
I	Wrench		1

## ASSEMBLY INSTRUCTIONS

- Carefully unpack all parts from the box, compare parts with package content listed above, make sure all parts are present before beginning assembly of product. If any part is missing or damaged, do not attempt to assemble the product. Contact customer service for replacement parts.
- Fix the Table Top Frame (A) onto the Base Assembly (B) with Stud (E), Washer (F), Spring washer (G) and Nut (H), screw the Nut (H) tightly by using the Wrench (I), (see Figure 3).

### Hardware Used:

- E Stud (5/16"\*30) x 4
- F Washer x 4
- G Spring washer x 4
- H Nut x 4

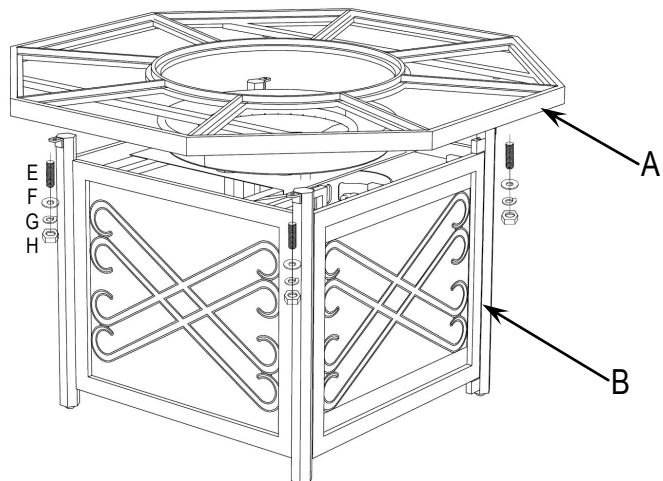


Figure 3

3. Put the Porcelain Tile (C) into Table Top Frame (A), (See Figure 4).

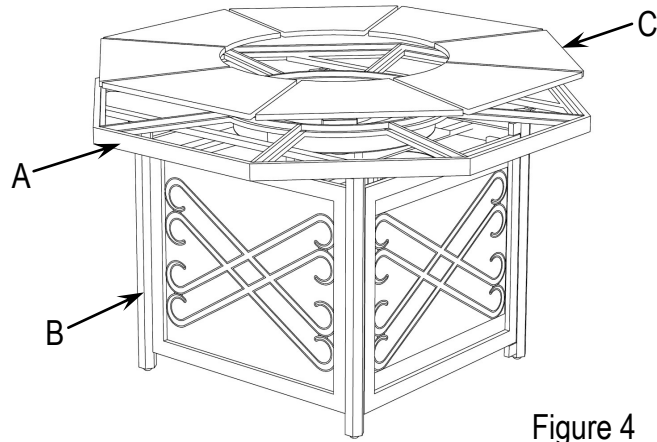


Figure 4

4. Put the Lava Rock (D) around the burner, then remove the label from the pilot box (see Figure 5). A gas fire pit requires 15.4 lbs lava rock.

**WARNING:** Keep children away during assembly, as this item contains lava rock, which are small pieces and can be swallowed by children.

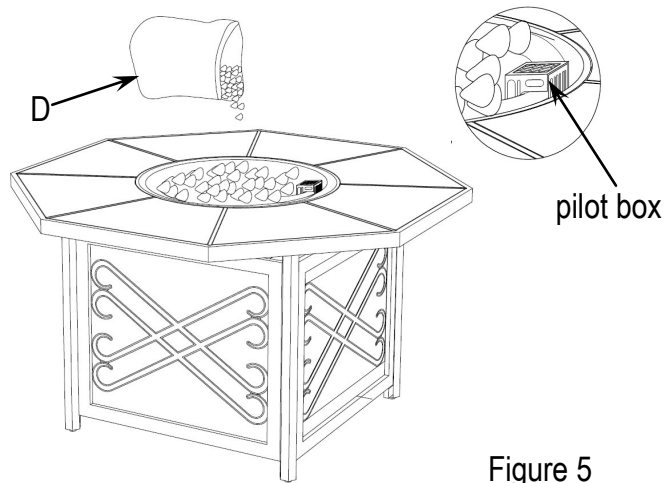


Figure 5

5. Open the door, place the gas cylinder into the cylinder holder, connect the regulator, screw the black handle clockwise to tighten, turn the black handle counterclockwise to remove. The hose must point down. The knob on the control panel is turned all the way to the "OFF" position when the fire pit is NOT in use. Make sure the hose is routed through the two "U" rings to prevent the hose from coming in touch with the burner or the ground. DO NOT remove the hose from the "U" rings (See Figure 6).

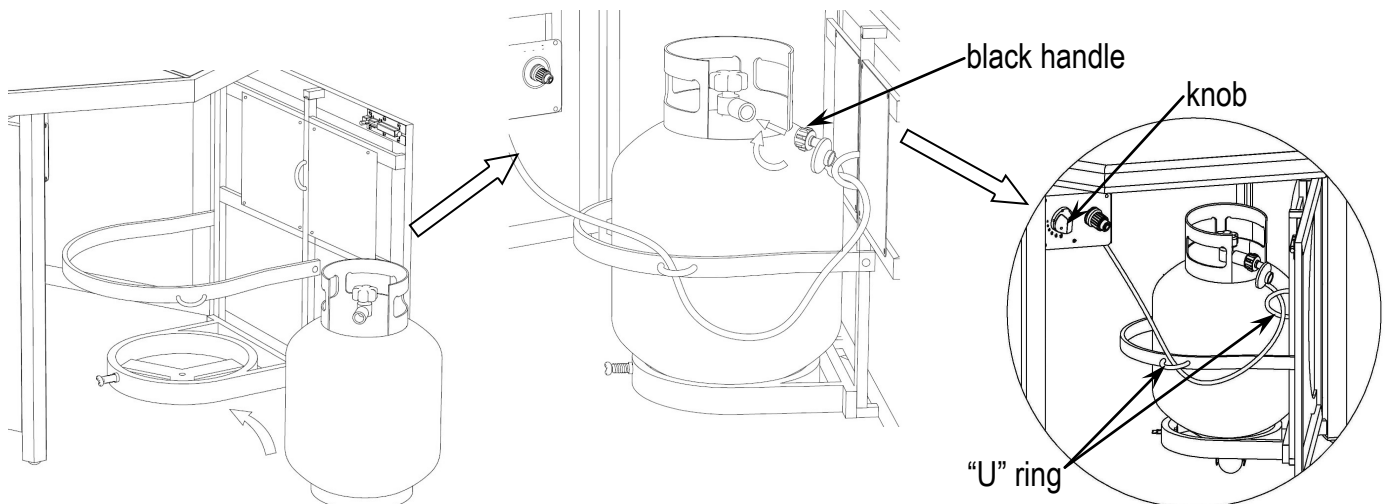


Figure 6

6. Secure the cylinder by tightening clockwise the butterfly screw found on the cylinder holder (see Figure 7), so that the cylinder cannot move from side to side or fall down.

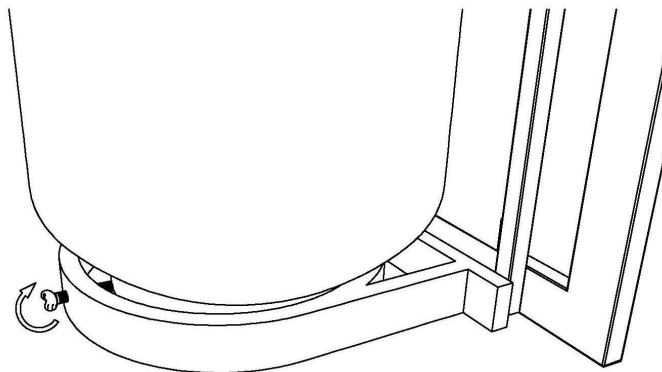
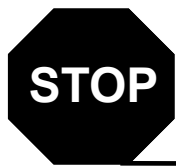


Figure 7



## NATURAL GAS CONVERSION



**Natural gas conversion must be performed only by natural gas provider or service company.**

1. Disconnect the propane hose from the gas valve (see Figure 8).

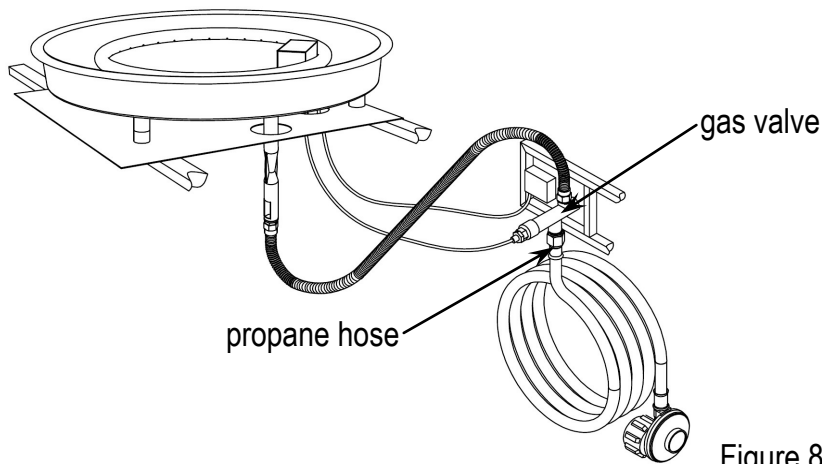


Figure 8

2. Unscrew and disconnect the propane orifice from the bellows (see Figure 9). Propane orifice (dia2.15mm size) is painted with red mark.

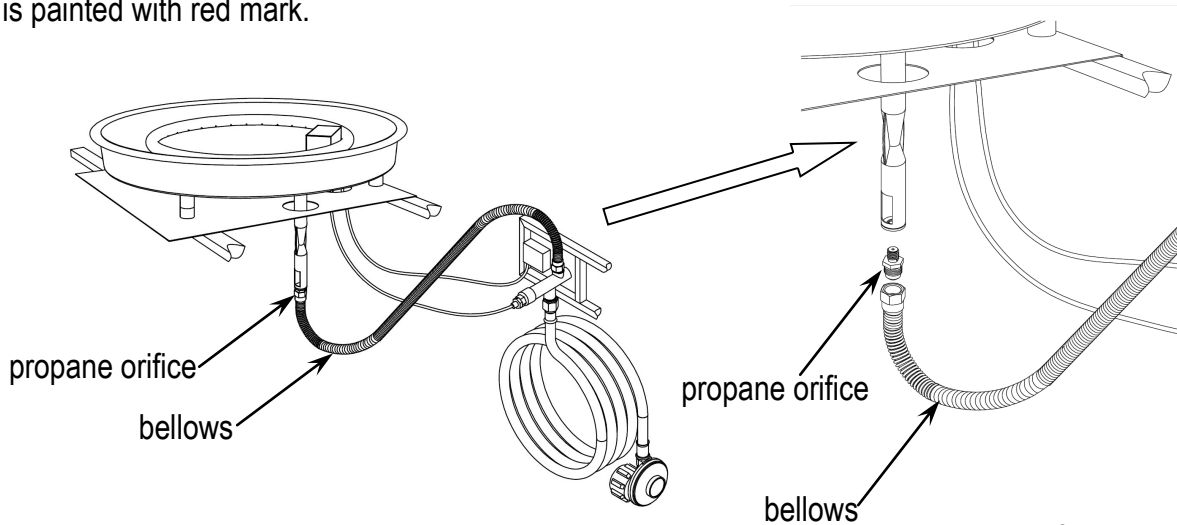


Figure 9

- Replace the propane orifice with the natural gas orifice, screw the natural gas orifice with the bellows tightly, then connect and tighten the natural gas orifice with inlet tube (see Figure 10). Natural gas orifice (dia4.30mm size) is painted with black mark.

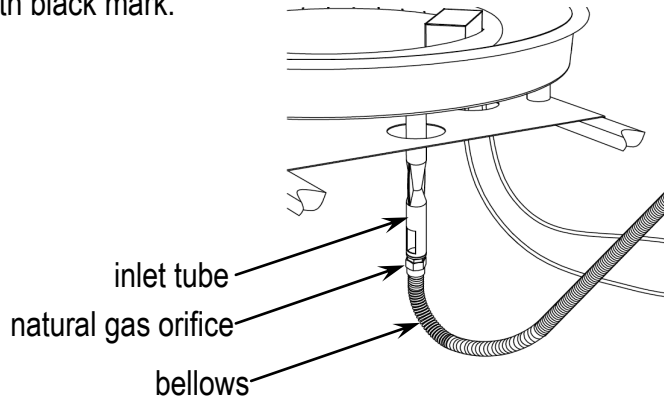


Figure 10

- Connect the natural gas hose with the gas valve by screwing clockwise tightly (see Figure 11). Plug the natural gas fixture into the natural gas supply piping system (see Figure 12).

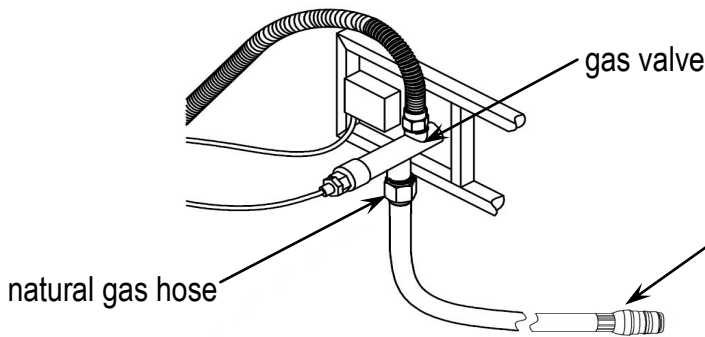


Figure 11

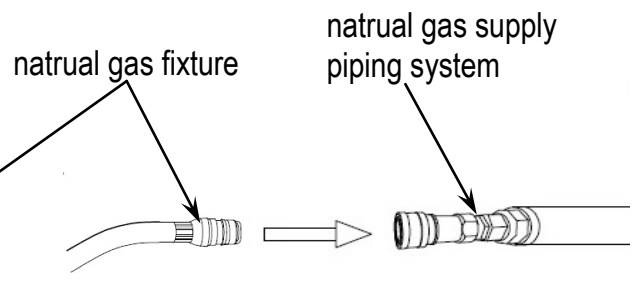


Figure 12

- Stick the conversion label onto the propane rating plate (see Figure 13).

Serial Number: \_\_\_\_\_

**CAUTION:** This appliance has been converted to use natural gas.

Rated Heat Input : 50,000 BTU/hr  
 Type of Gas : Natural gas  
 Max Gas Supply Pressure : 7 inches water column (1.74kPa)  
 Min. Gas Supply Pressure : 5 inches water column (1.24kPa)  
 Minimum clearance from combustible constructions: Sides:24in. 610mm. Top:72in. 1829mm.

**FOR OUTDOOR USE ONLY.** Outdoor Decorative Gas Appliances. If stored indoors, detach and leave cylinder outdoors. You can find the orifices on the package with LP manual. Please follow the instructions package with the orifices for gas conversion.

**⚠ WARNING: Improper installation, adjustment alteration, service or maintenance can cause injury or property damage. Read the installation, operating, and maintenance instructions thoroughly before installing or servicing this equipment.**

**⚠ WARNING: Do not store or use gasoline, or other flammable vapors and liquids, in the vicinity of this or any other appliance. An LP-cylinder not connected for use shall not be stored in the vicinity of this or any other appliance.**

**⚠ DANGER**

**CARBON MONOXIDE HAZARD**  
 This appliance can produce carbon monoxide which has no odor. Using it in an enclosed space can kill you. Never use this appliance in an enclosed space such as a camper, tent, car or home.

• The instruction manual contains important information necessary for the proper assembly and safe use of the appliance.  
 • Read and follow all warnings and instructions before assembling and using the appliance.  
 • Follow all warnings and instructions when using the appliance.

ie gas pressure regulator provided with this appliance must be used. This regulator is set for an of 11 inches water column (2.74kPa).The gas supply must be turned off at the LP-gas supply his appliance is not in use.

Rated Heat Input : 50,000 BTU/hr  
 Type of Gas : Propane  
 Max Gas Supply Pressure : 11 inches water column  
 Min. Gas Supply Pressure : 5 inches water column  
 Minimum clearance from combustible constructions: Sides:24in. 610mm. Top:72in. 1829mm.

**FOR OUTDOOR USE ONLY.** If stored indoors, detach and leave cylinder outdoors. Do not connect to a remote s shipped with LP gas orifice. You can find the orifices on the package with LP manual. Please follow the instructions package with the orifices for gas conversion.

**⚠ Improper installation, adjustment alteration, service or maintenance can cause injury damage. Read the installation, operating, and maintenance instructions thoroughly before installing or servicing this equipment.**

**⚠ Do not store or use other flammable liquids, in the vicinity of this or any other appliance. An LP-cylinder not connected for use shall not be stored in the vicinity of this or any other appliance.**

**⚠ DANGER**

**CARBON MONOXIDE HAZARD**  
 This appliance can produce carbon monoxide which has no odor. Using it in an enclosed space can kill you. Never use this appliance in an enclosed space such as a camper, tent, car or home.

Approved by CSA Group SA 2.41-2014 for use with LP Gas Appliances  
 The instruction manual contains important information necessary for the proper assembly and safe use of the appliance. Read all warnings and instructions before assembling and using the appliance. Follow all warnings and instructions when using the appliance.

conversion label

propane rating plate

Figure 13

# BATTERY

Make sure the control knob is in the “OFF” position. Unscrew the push button cap on the ignitor module located on the control panel to access the battery compartment. The ignitor module requires one AAA size battery (See Figure 14).

## WARNING:

1. Please observe proper polarity and use the correct battery type when placing or replacing the battery. Improper installation could result in ignition failure.
2. Please remove the battery if consumed or if product is to be left unused for a long period of time.

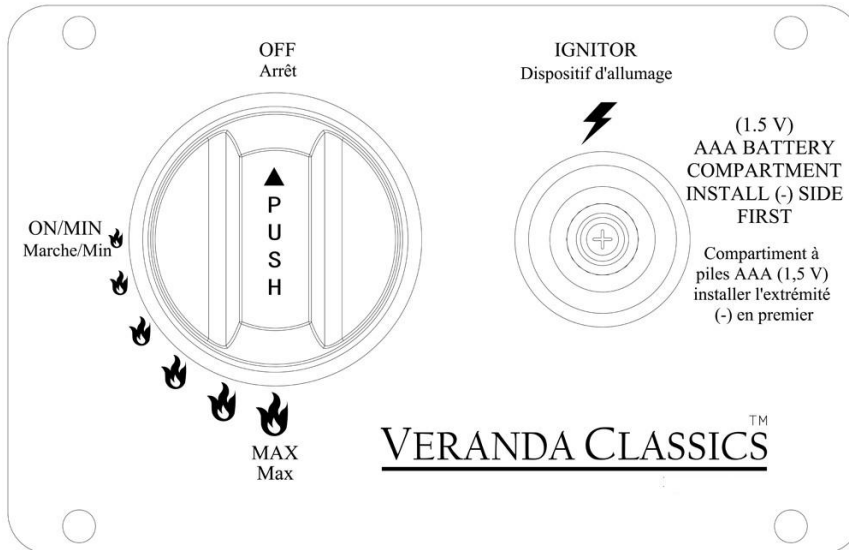
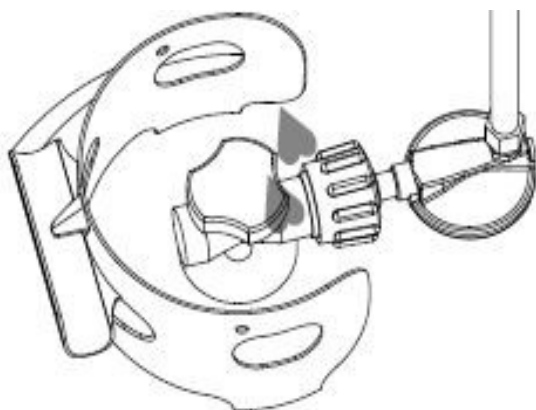


Figure 14

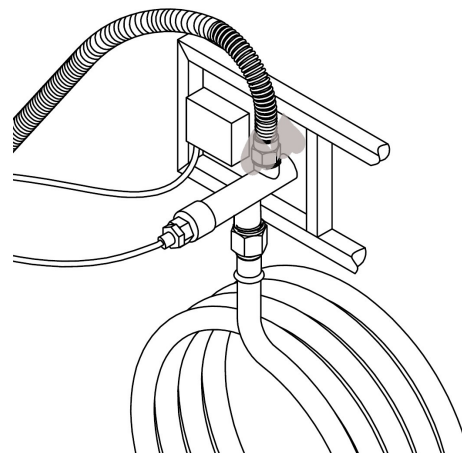
# LEAK TEST

## To prevent fire or explosion hazard when testing for a leak:

1. Always perform the leak test as described below before lighting this appliance or each time the cylinder is connected for use.
2. Do not smoke or allow other sources of ignition in the area while conducting a leak test.
3. Conduct the leak test outdoors in a well-ventilated area.
4. Do not use matches, lighters or a flame to check for leaks.
5. Do not use this appliance until any and all leaks are corrected. If you are unable to stop a leak, disconnect the propane supply. Call a gas appliance service shop or your local propane gas supplier.

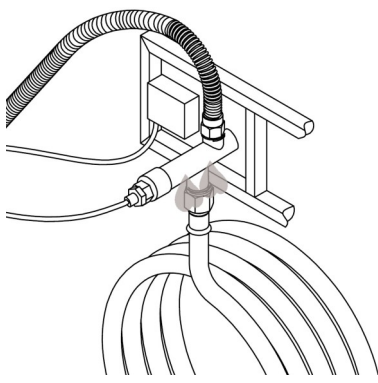


cylinder-regulator connection (Figure 15)

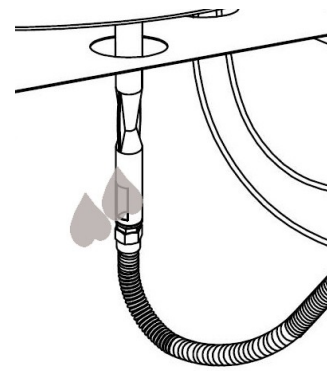


gas valve-bellows connection (Figure 16)





gas valve-hose connection (Figure 17)



inlet tube-bellows connection (Figure 18)

### To perform a leak test:

1. Make 2~3 oz. of leak solution by mixing one part liquid dishwashing detergent and three parts water.  
Noted: make sure control knob is "OFF".
2. Apply several drops of solution where the cylinder attaches to regulator (see Figure 15), inspect the solution at the connection looking for bubbles. If NO bubbles appear, the connection is secure. If bubbles appear, the connection has the leak, disconnect the regulator, reconnect, perform another leak check. If you continue to see bubbles after several attempts, cylinder valve is defective and should be returned to cylinder's supplier.
3. Apply several drops of solution where gas valve attaches to bellows (see Figure 16), where gas valve attaches to hose (see Figure 17), and where inlet tube attaches to bellows (see Figure 18). If NO bubbles appear, the connections are secure. If bubbles appear, the connection has the leak, disconnect, reconnect, perform another leak check. If you continue to see bubbles after several attempts, the part is defective and should replace the part.

## LIGHTING INSTRUCTIONS

1. Push in gas control knob slightly and turn to "OFF".
2. Turn gas control knob the "ON/MIN".
3. Push in gas control knob all the way and hold. Continue to press the ignition button for 15 seconds.
4. If the burner does not light in 15 seconds, release the knob and it will pop back out. Wait 5 minutes before attempting to light the burner again, repeat step 1 to 3.

## TO TURN OFF GAS

1. Push in gas control knob slightly and turn to "OFF".

**WARNING:** For your safety, read and follow the Lighting Instructions in this manual and in the Rating Plate on the appliance. IMPROPER LIGHTING PROCEDURES COULD RESULT IN A FIRE HAZARD OR EXPLOSION HAZARD OR PROPERTY DAMAGE, INJURY OR LOSS OF LIFE.

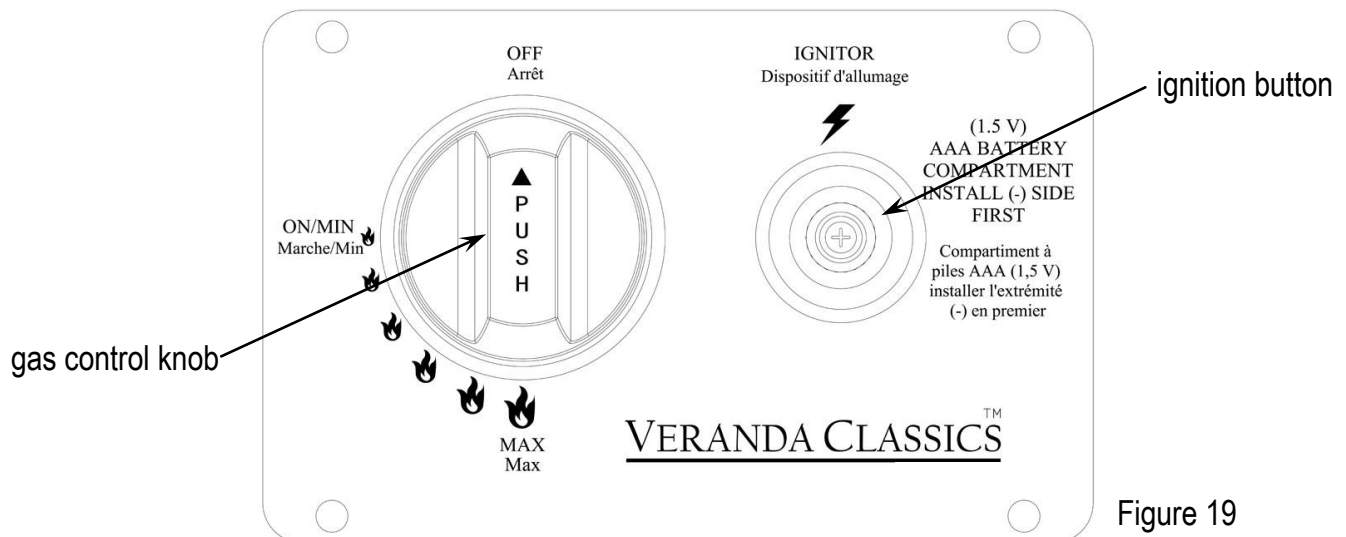


Figure 19

**Observe Flame Height When Lit:** Flame should be a blue / yellow color between 1~2 in. height (see Figure 20).

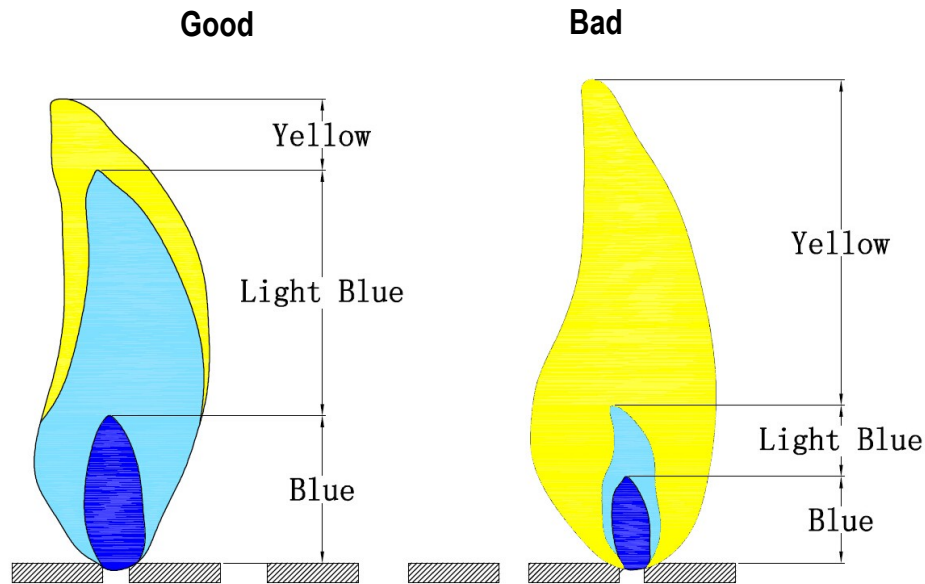


Figure 20

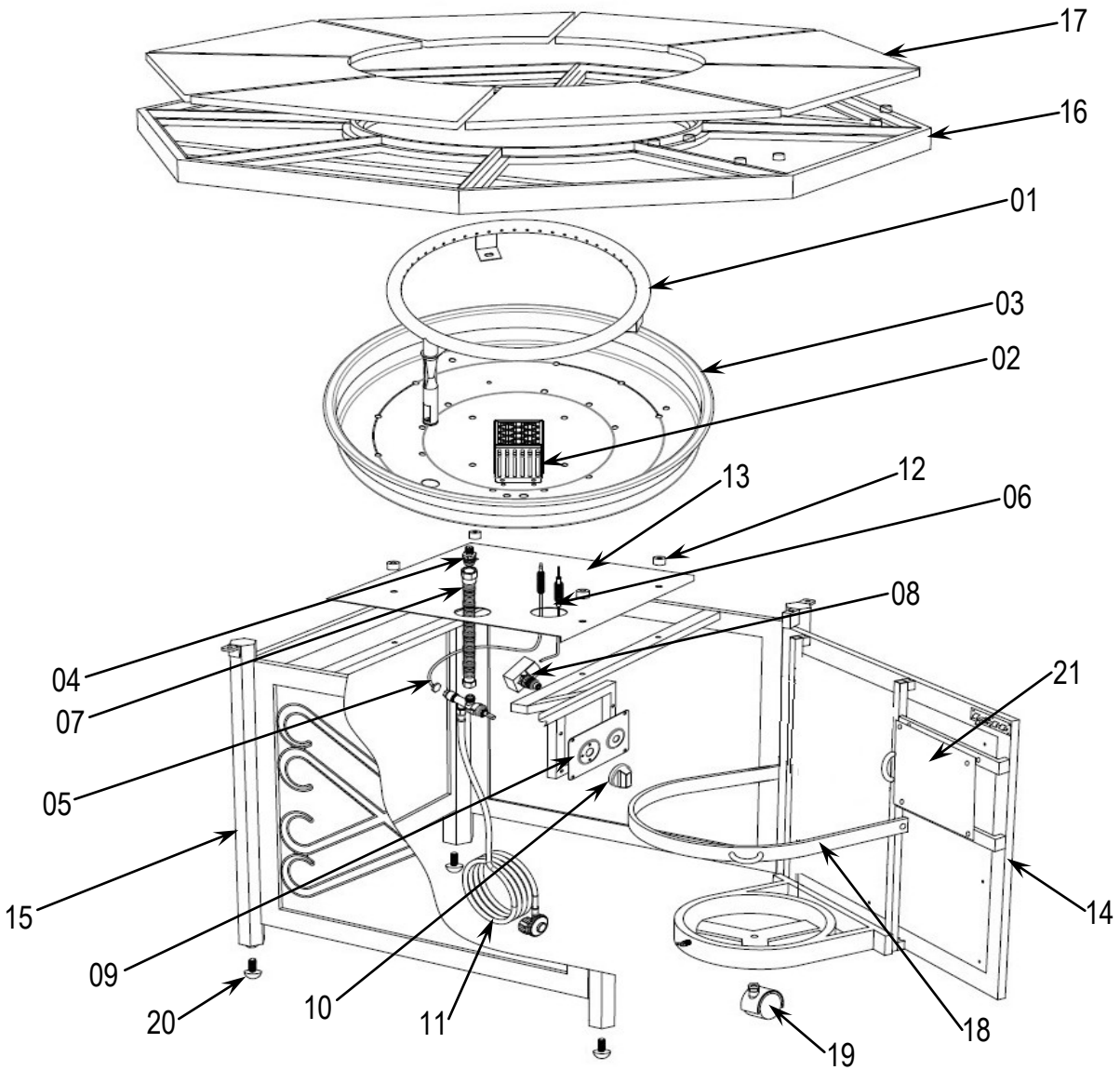
## CARE AND MAINTENANCE

To enjoy the outstanding performance from your fire pit, make sure you perform the following activities on a regular basis:

1. Use warm soapy water for cleaning. Never use flammable or corrosive cleaning agents.
2. While cleaning the fire pit, make sure to keep the area around the burner dry at all times. DO NOT submerge the control valve assembly. If the gas control is submerged in water, DO NOT use it. It must be replaced.
3. Air flow must be unobstructed. Keep controls, burner, and circulating air passageways clean. Signs of possible blockage include:
  - (1). Gas odor with extreme yellow tipping of flame.
  - (2). Fire pit does NOT reach the desired temperature.
  - (3). Fire pit flame is excessively uneven.
  - (4). Fire pit makes popping noises.
  - (5). Spiders and insects can nest in burner or orifice. This dangerous condition can damage fire pit and render it unsafe for use. Clean burner holes by using a heavy-duty pipe cleaner. Compressed air may help clear away small particles.
4. Carbon deposits may create a fire hazard. Clean burner with warm soapy water if any carbon deposits develop.

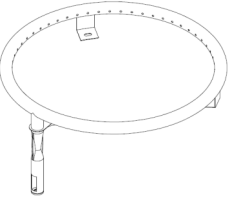
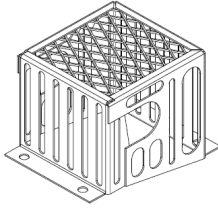
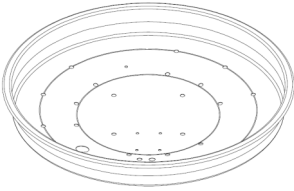
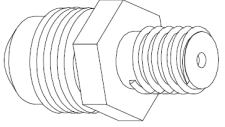

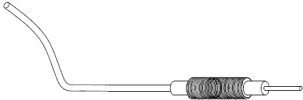
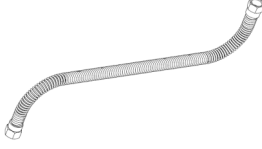
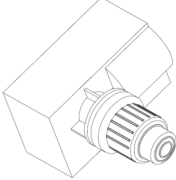
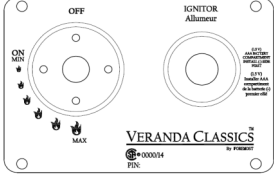

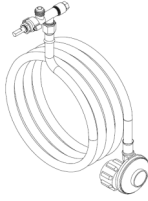
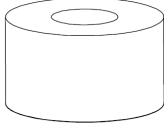
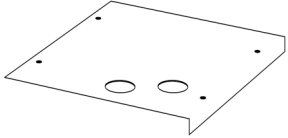
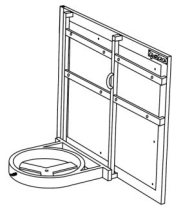
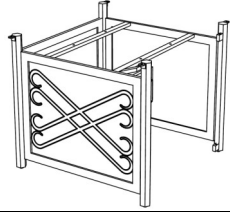
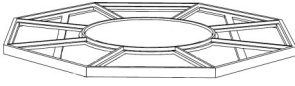
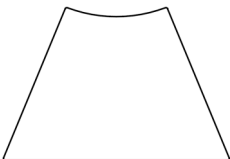
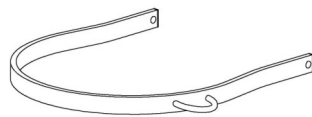



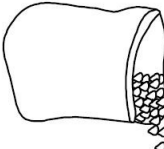
**NOTE:** Always allow fire pit to cool COMPLETELY before attempting service or maintenance.

# PARTS LIST

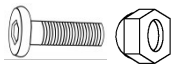
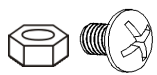
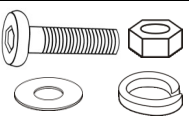



PART	DESCRIPTION	QUANTITY	PART	DESCRIPTION	QUANTITY
01	Burner	1	12	Bakelite	4
02	Pilot box	1	13	Heat shield	1
03	Fire bowl	1	14	Door	1
04	Orifice	1	15	Base	1
05	Thermocouple	1	16	Table top frame	1
06	Electrode tip	1	17	Porcelain tile	10pcs (8pcs for assembly, 2pcs for replacement)
07	Bellows	1	18	Gas cylinder protective ring	1
08	Pulse ignition system	1	19	Wheel assembly	1
09	Control panel	1	20	Foot glider (M8)	4
10	Gas control knob	1	21	Rating plate	1
11	Hose assembly	1			

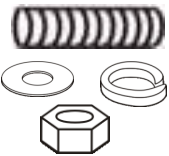
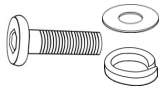

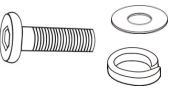

# ILLUSTRATED PARTS LIST

01 Burner 	02 Pilot box 	03 Fire bowl 	04 Orifice 
05 Thermocouple 	06 Electrode tip 	07 Bellows 	08 Pulse ignition system 
09 Control panel 	10 Gas control knob 	11 Hose assembly 	12 Bakelite 
13 Heat shield 	14 Door 	15 Base 	16 Table top frame 
17 Porcelain tile 	18 Gas cylinder protective ring 	19 Wheel assembly 	20 Foot glider (M8) 
21 Rating plate 	22 Lava rock 		

## HARDWARE CONTENTS

PART	DESCRIPTION	IMAGE	QUANTITY	PART	DESCRIPTION	IMAGE	QUANTITY
AA	Bolt (1/4"x25), Nut (1/4")		4 sets	CC	Bolt (M4*10), Nut (M4)		8 sets
BB	Bolt (1/4"x55), Nut(1/4"),Washer Spring Washer		4 sets	DD	Screw (T5*15)		4

## HARDWARE CONTENTS

PART	DESCRIPTION	IMAGE	QUANTITY	PART	DESCRIPTION	IMAGE	QUANTITY
EE	Stud (5/16"×30) Washer, Spring washer Nut (5/16")		4 sets	GG	Bolt (1/4"×25), Washer, Spring washer		3 sets
				HH	Wrench		1
FF	Bolt (1/4"×50), Washer, Spring washer		1 set	II	Hex screw driver		1

## REPLACEMENT PARTS LIST

NO.	Part#	Description
01		Burner
02		Pilot box
03		Fire bowl
04		Orifice (for Liquid Propane use)
05		Orifice (for Natural Gas use)
06		Thermocouple
07		Electrode tip
08		Bellows
09		Pulse ignition system
10		Control panel
11		Gas control knob
12		Hose assembly
13		Bakelite
14		Heat shield
15		Table top frame
16		Base
17		Door
18		Porcelain tile
19		Gas cylinder protective ring
20		Wheel assembly
21		Foot glider
22		Rating plate (for Liquid Propane use)
23		Rating plate (for Natural Gas use)
24		Lava rock
25		Hardware pack

## WARRANTY