

## Headboard Modification Plate

# ASSEMBLY INSTRUCTIONS

### STEP 1

Place assembled bed frame in front of headboard and position modi plate to determine which slots will line up with the headboard brackets and headboard. Use provided lock nuts and bolts to attach modi plates to bed frame headboard brackets as shown in Figure 1.

### STEP 2

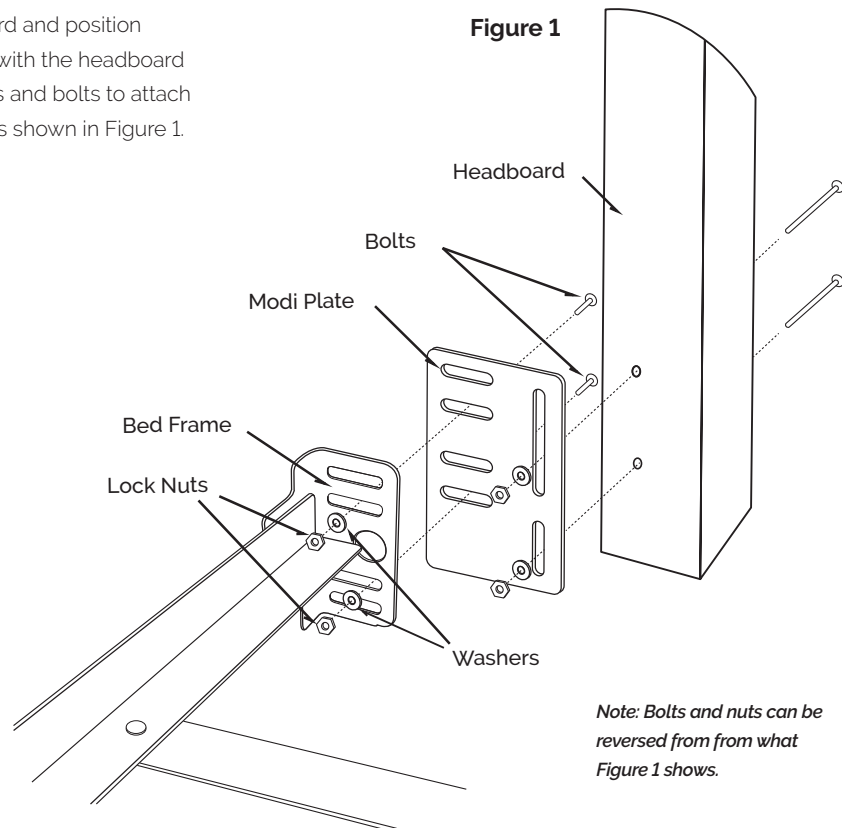
Use provided lock nuts and bolts to attach headboard to modi plates.



## STANDARD MODIFICATION PLATE

#### Parts List:

2 Modi Plates    4 Lock Nuts  
4 Short Bolts    4 Washers

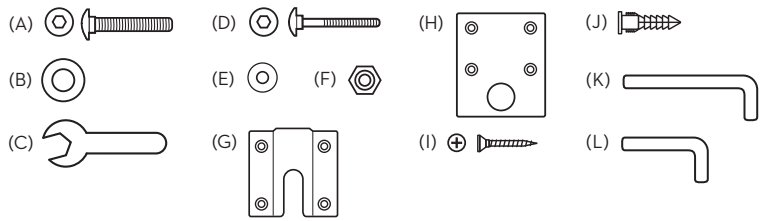


Failure to follow these warnings and assembly instructions could result in serious injury or death. Read all instructions before assembly. Keep the assembly instructions for future use. Before each usage or assembly, inspect for damaged hardware, and missing parts. DO NOT use this product if any parts are missing or broken. If replacement parts and instructional literature are needed, contact our manufacturer. DO NOT substitute parts. Check fasteners and rivets periodically for tightness and positioning.

# HEADBOARD ASSEMBLY INSTRUCTIONS

## PARTS LIST:

- |                      |                         |
|----------------------|-------------------------|
| (A) M8 Bolts x4      | (G) Headboard Mounts x2 |
| (B) Big Washers x4   | (H) Wall Mounts x2      |
| (C) Wrench x1        | (I) Screws x16          |
| (D) M6 Bolts x4      | (J) Drywall Anchor x8   |
| (E) Small Washers x4 | (K) 5mm Allen Key       |
| (F) Nuts x4          | (L) 4mm Allen Key       |

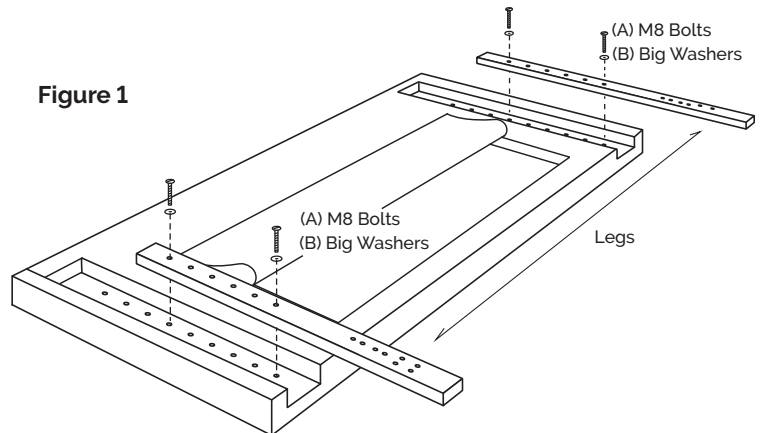


## STEP 1

Remove the headboard from the box and lay it face down on the ground. Open the velcro panel on the back and remove both the legs and hardware.

## STEP 2

Using two (A) M8 bolts, two (B) big washers, and the provided holes, secure both legs to the headboard at your desired height with 5mm Allen key (K) provided (see Figure 1).

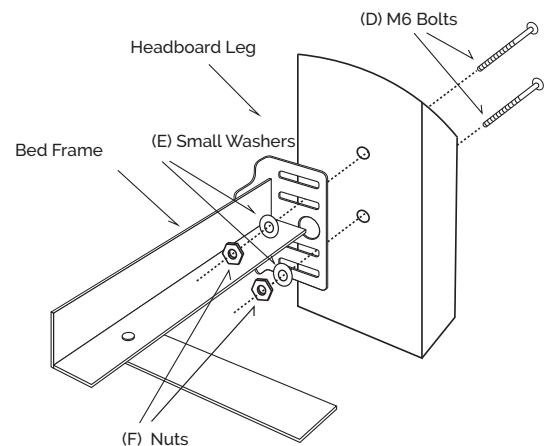


## STEP 3

With the front side of the headboard facing the bed frame, attach the headboard to the frame using the 4mm Allen key (L), (D) M6 bolts, (E) small washers, and (F) nuts (see Figure 2).

*If your bed frame doesn't fit the headboard, use the provided modification plates to secure the bed frame to the headboard. More instructions are included with the plates. If you choose to mount your headboard to the wall you can remove the legs. If you wish to keep the legs, complete steps 1-3 first.*

Figure 2

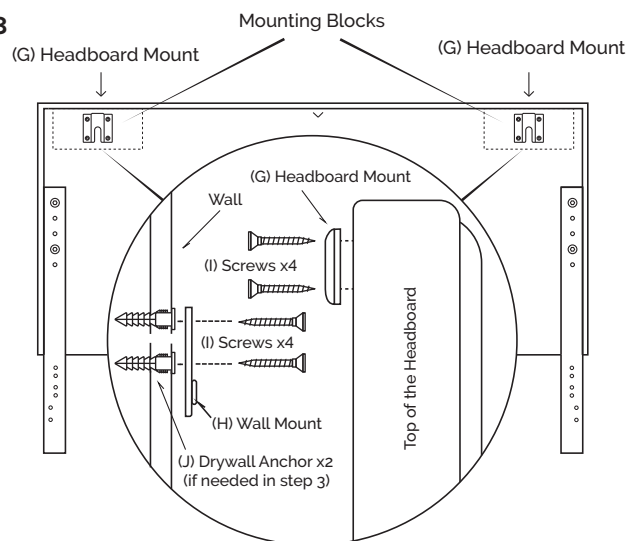


## STEP 4 (Wall Mount Option)

Using the mounting blocks inside your headboard, screw the two (G) headboard mounts to the top of your headboard with the provided (I) screws (see Figure 3). Then place the (H) wall mounts at the same height as the (G) headboard mounts.

Failure to follow these warnings and assembly instructions could result in serious injury or death. Read all instructions before assembling the headboard. Keep the assembly instructions for future use. Before each usage or assembly, inspect the headboard for damaged hardware, or missing parts. DO NOT use the headboard if any parts are missing or broken. If replacement parts and instructional literature are needed, contact our manufacturer. DO NOT substitute parts.

Figure 3



# LIFETIME LIMITED WARRANTY

## WHAT IS COVERED

This warranty covers any defects in materials or workmanship, with the exceptions stated below.

## HOW LONG COVERAGE LASTS

This warranty runs for as long as the original purchaser owns the product.

## WHAT IS NOT COVERED

The warranty applies only to the original purchaser and does not cover: (a) wear and tear; (b) improper maintenance, misuse, or alteration; (c) repair by unauthorized representatives; (d) damage resulting from transit or handling; or (e) transportation costs.

## WHAT WE WILL DO

At our sole discretion we will repair, replace, or refund any product that proves to be defective in materials or workmanship.

## HOW TO GET SERVICE

E-mail us to submit your warranty claim. Please keep your receipt so that we may process your warranty request.

## HOW STATE LAW APPLIES

This warranty gives you specific legal rights, and you may also have other rights which vary from state to state.

---

*The foregoing warranty shall be exclusive and in lieu of any other warranty, express or implied, including warranties of merchantability and fitness for a particular purpose and all other warranties otherwise arising by operation of law, course of dealing, custom, trade, or otherwise. Neither the seller nor the manufacturer shall be liable for any injury, loss or damage, direct or consequential arising out of the use or inability to use this product.*