

Console Table



ASSEMBLY INSTRUCTIONS

We have designed our furniture with you, the customer in mind. Our clear, easy to follow, step by step instructions will guide you through the project from start to finish. feel confident that this will be a fun and rewarding project. The final product will be a quality piece of furniture that will go together smoothly and give you years of enjoyment.

Accessories list



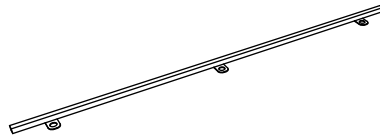
Allen Screw (28pcs)



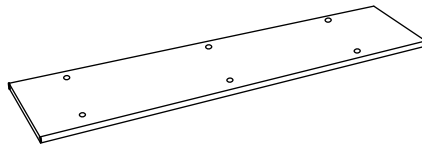
Allen Key (1pc)



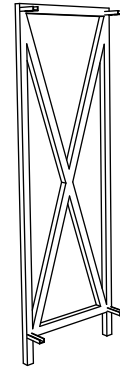
Foot (4pcs)



Metal tube ① (4pcs)

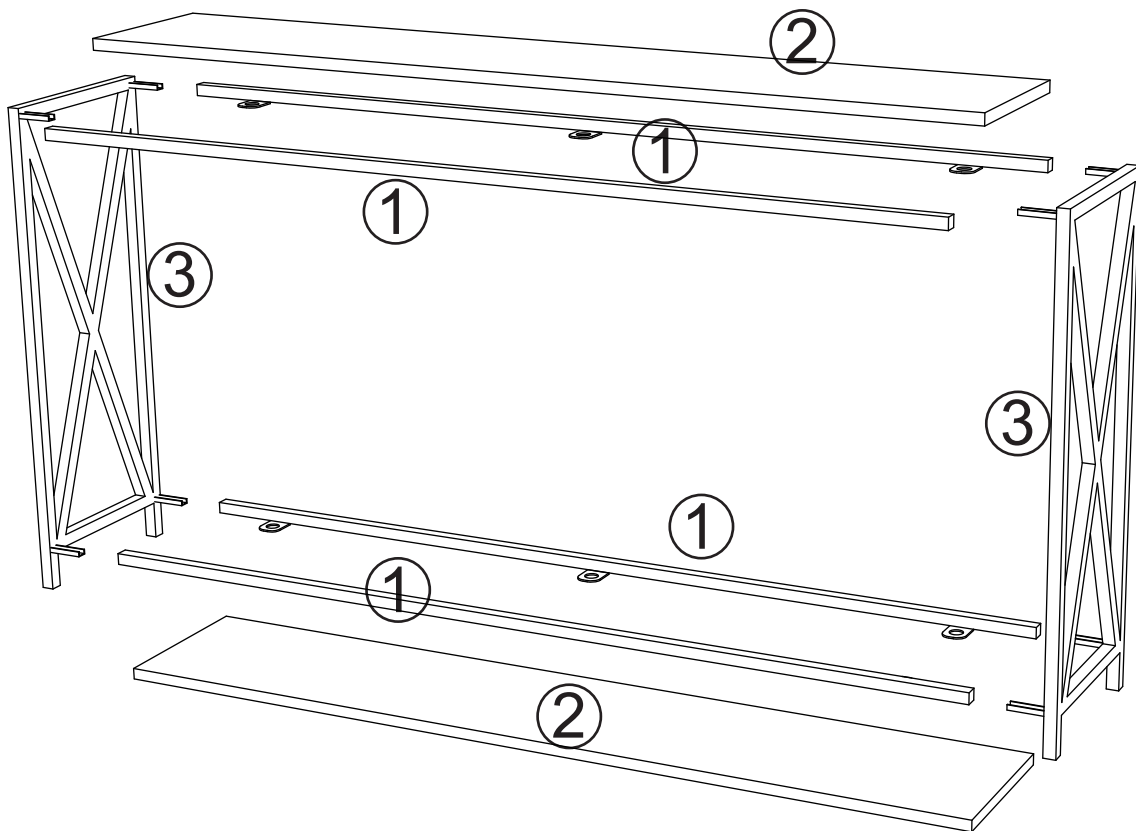


Panel ② (2pcs)



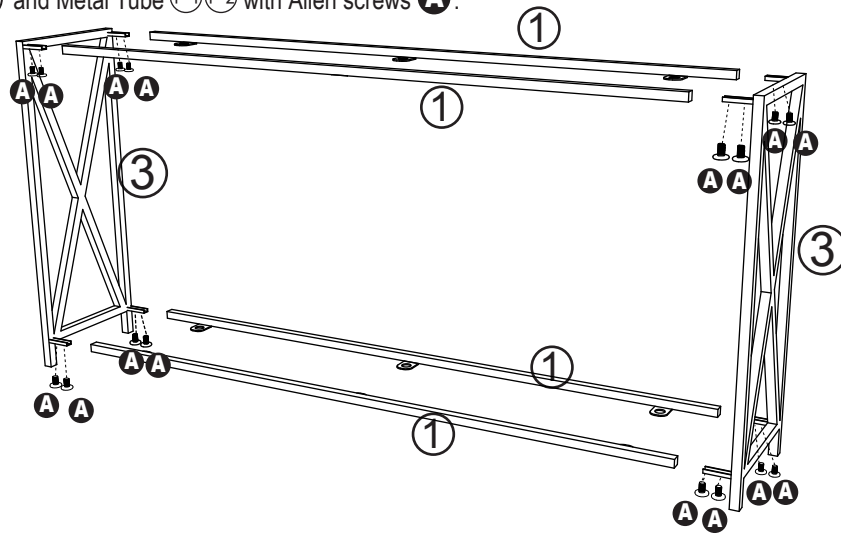
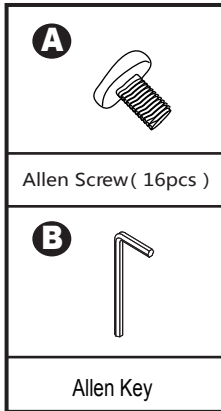
Frame ③ (2pcs)

Exploded Views



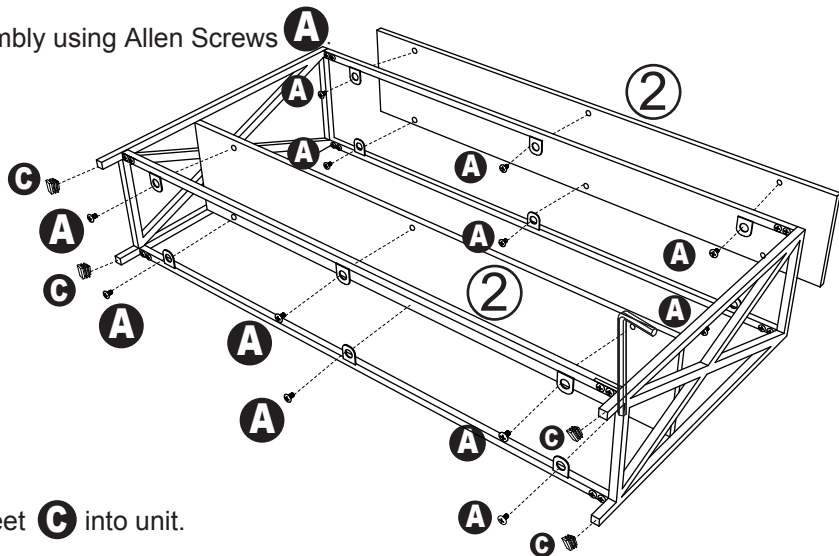
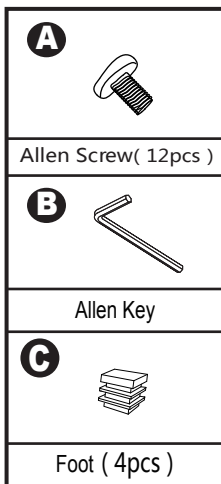
Step 1

1. Connect the Frames ③ and Metal Tube ①-② with Allen screws **A**.



Step 2

1. Connect panels ② to assembly using Allen Screws **A**



2. Insert Feet **C** into unit.

Step 3

Finish and enjoy!

