



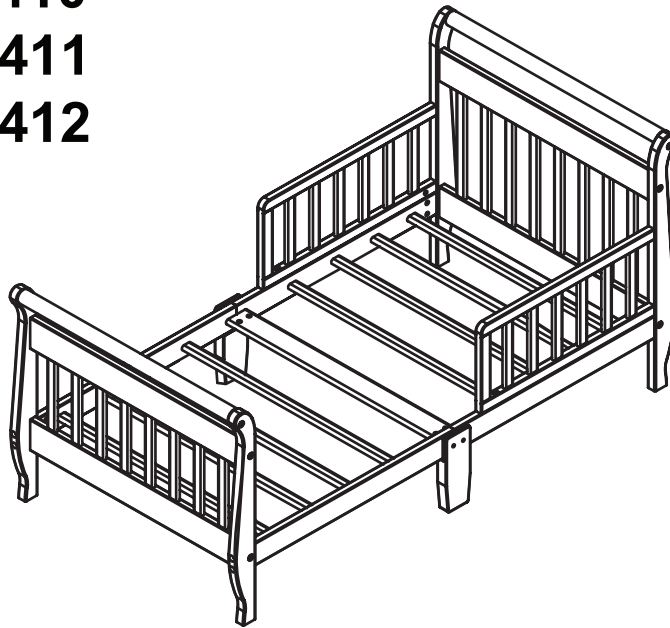
**BABY TIME INT'L INC
250 PASSAIC ST.,
NEWARK, NJ 07104**

CLASSIC SLEIGH TODDLER BED

STYLE#: CRB-410

CRB-411

CRB-412



ASSEMBLY INSTRUCTIONS

READ ALL INSTRUCTIONS BEFORE ASSEMBLING.

SAVE INSTRUCTIONS FOR FUTURE USE.

CAREFULLY REMOVE AND LAY OUT ALL PARTS. FAMILIARIZE YOURSELF WITH ALL DIAGRAMS TO FACILITATE THE ASSEMBLY OF YOUR BED.

CHECK PARTS AND THE ENCLOSED HARDWARE BAG WITH THE HARDWARE LIST TO BE SURE ALL ARE INCLUDED AND QUANTITIES ARE CORRECT. DESTROY CARDBOARD AND PLASTIC BAGS IMMEDIATELY.

ATTENTION: IN ORDER TO PROPERLY ASSEMBLE THE BED, FOLLOW THE INSTRUCTIONS IN THE SPECIFIED ORDER. FAILURE TO ASSEMBLE THE TODDLER BED IN THE MANNER RECOMMENDED COULD MAKE THE TODDLER BED HAZARDOUS.

DO NOT PLACE THE TODDLER BED NEAR A WINDOW WHERE CORDS FROM BLINDS OR DRAPES CAN STRANGLE A CHILD.

DO NOT TIE PACIFIER, NECKLACES, OR ANY OTHER ITEMS AROUND A CHILD'S NECK OR ON THE PARTS OF TODDLER BED. THIS COULD CAUSE STRANGULATION.

DO NOT ADD A PILLOW, COMFORTER, OR PADDING, INFANTS CAN SUFFOCATE ON SOFT BEDDING.

BEFORE EACH USAGE OR ASSEMBLY, INSPECT THE TODDLER BED FOR DAMAGED HARDWARE, LOOSE JOINTS, MISSING PARTS, OR SHARP EDGES.

DO NOT USE THE TODDLER BED IF ANY PARTS ARE MISSING OR BROKEN. ASK YOUR DEALER OR WRITE TO DREAM ON ME FOR REPLACEMENT OF THE PARTS AND INSTRUCTIONAL LITERATURE IF NEEDED.

DO NOT SUBSTITUTE ANY PARTS.

IF REFINISHING, USE A NON TOXIC FINISH SPECIFIED FOR CHILDREN'S PRODUCTS. TO CLEAN, WASH WITH MILD SOAP AND A DAMP CLOTH.

TO STORE, KEEP IN A COOL, DRY PLACE.

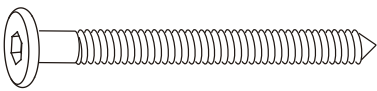
DO NOT USE THE TODDLER BED IF THE SPACE BETWEEN BED AND SOLID OBJECTS AS A WALL OR DRESSER IS MORE THAN 12 INCHES (31CM). A CHILD COULD SLIDE INTO A SMALL SPACE AND SUFFOCATE.

DO NOT USE THE TODDLER BED FOR INFANTS. THIS TODDLER BED IS NOT A SUBSTITUTE FOR A CRIB.

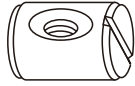
THE TODDLER BED IS FOR A CHILD BETWEEN THE AGE OF 15 MONTHS AND 5 YEARS WITH A MAXIMUM WEIGHT OF 50 POUNDS (23KG).

DO NOT USE A WATER MATTRESS WITH THIS PRODUCT.

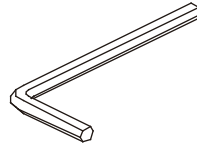
HARDWARE AND TOOL DIAGRAM



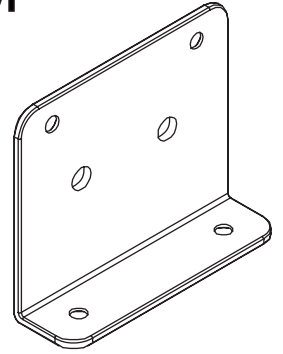
(a) Bolt 3" 18 PCS



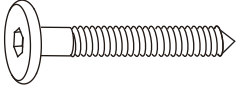
(b) Barrel Nut 18 PCS



(c) Allen Wrench 1 PC



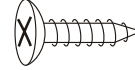
(h) L Metal Plate 2PCS



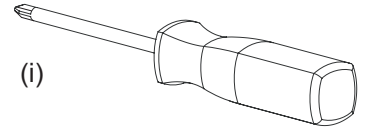
(d) Bolt 1-3/5" 12 PCS



(e) 1-3/5" Wood Dowel 20 PCS

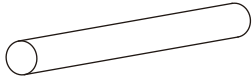


(f) Selfdrilling screw 8 PCS



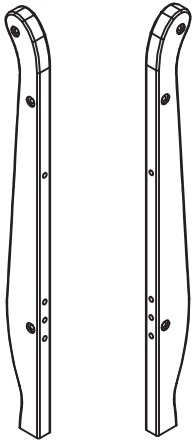
(i)

**FLAT HEAD SCREWDRIVER
REQUIRED FOR ASSEMBLY
- NOT INCLUDE**



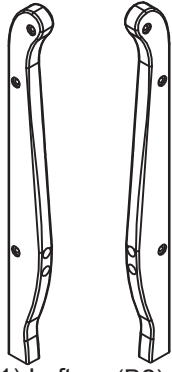
(g) 2-2/5" Wood Dowel 4 PCS

COMPONENT PARTS



(A1) Left (A2) Right

(A) Headboard Leg 2PCS

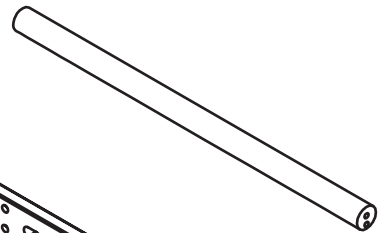


(B1) Left (B2) Right

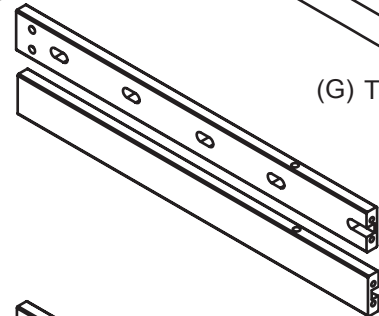
(B) Footboard Leg 2PCS



(F) Split leg 2 PCS



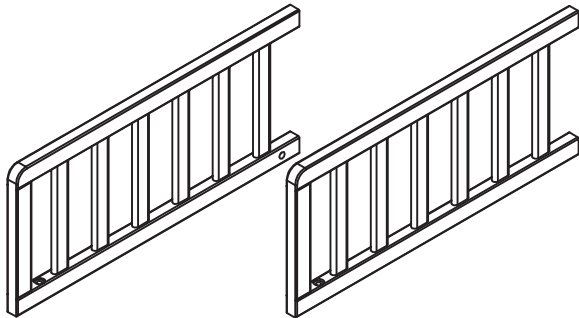
(G) Top rail 2 PCS



(H2) Right

(H1) Left

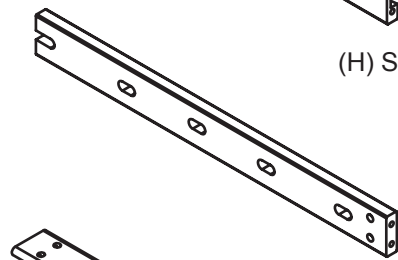
(H) Side Bar 2 PCS



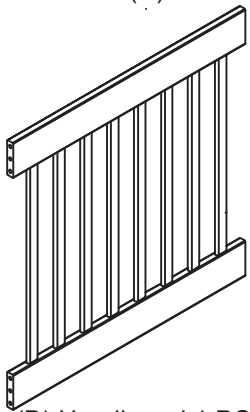
(C1) Right Bed Rail

(C2) Left Bed Rail

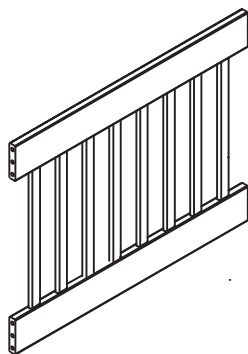
(C) Bed Rail 2 PCS



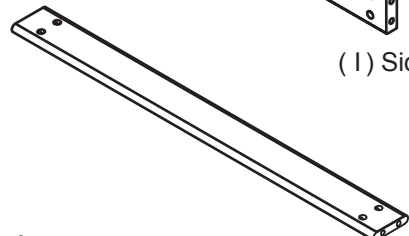
(I) Side Bar 2 PCS



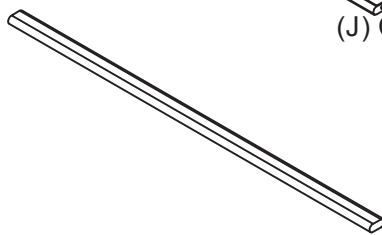
(D) Headboard 1 PC



(E) Headboard 1 PC

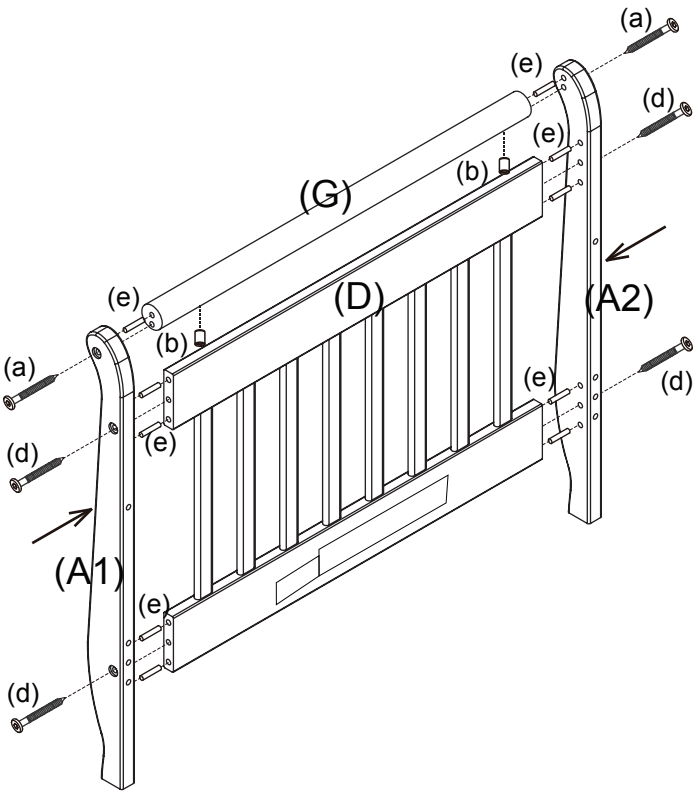


(J) Cross Middle Bar 1 PC



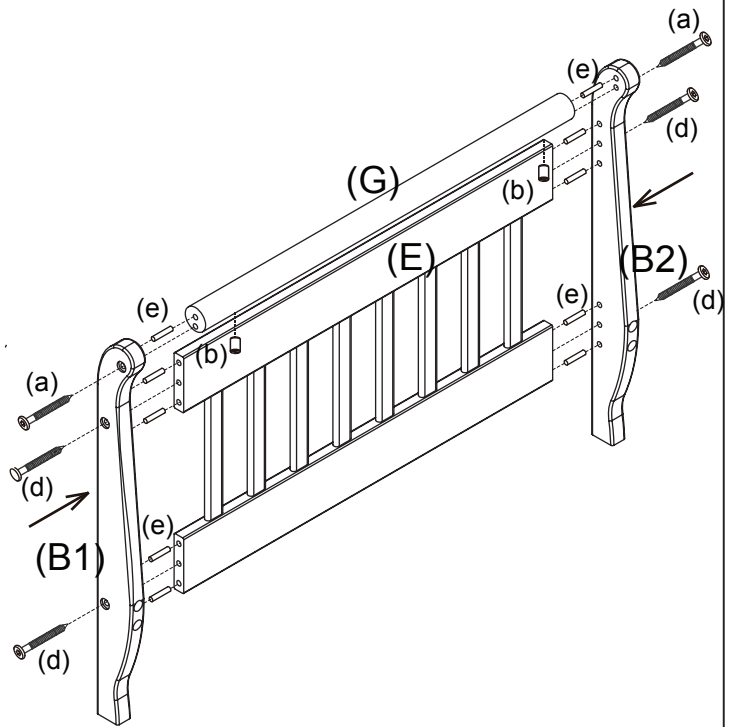
(K) Cross Bar 8 PCS

STEP# 1



Using the bolt (d) and the wood dowel (e) to connect the left leg (A1) and right leg (A2) to top rail(G) and headboard (D);

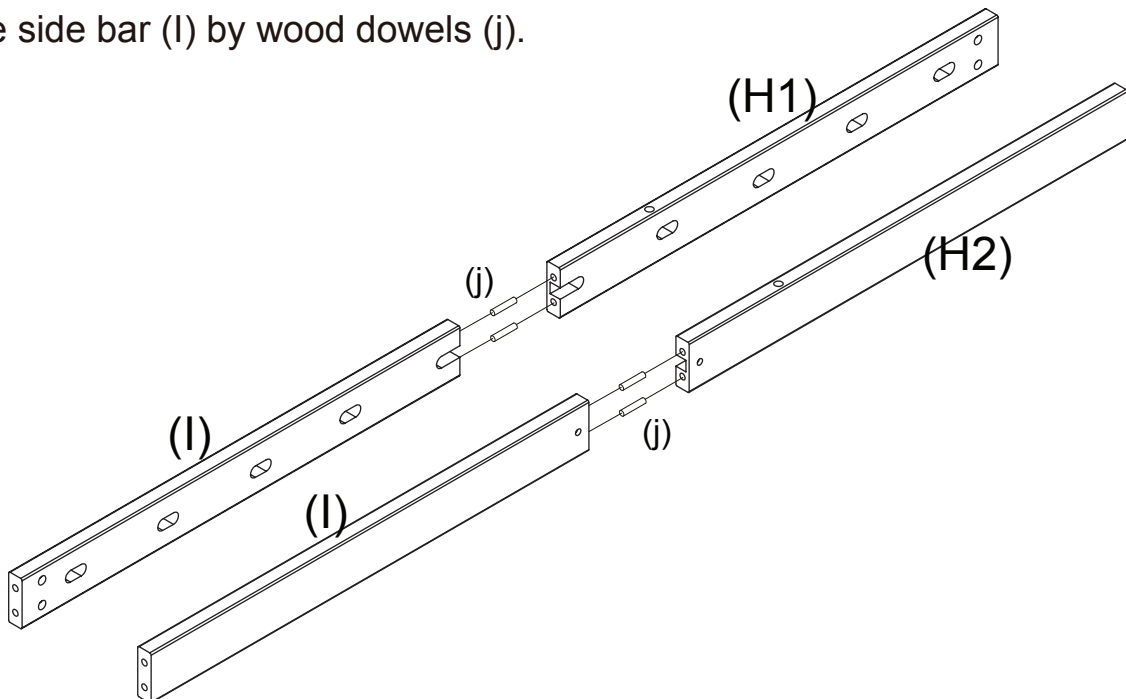
STEP# 2



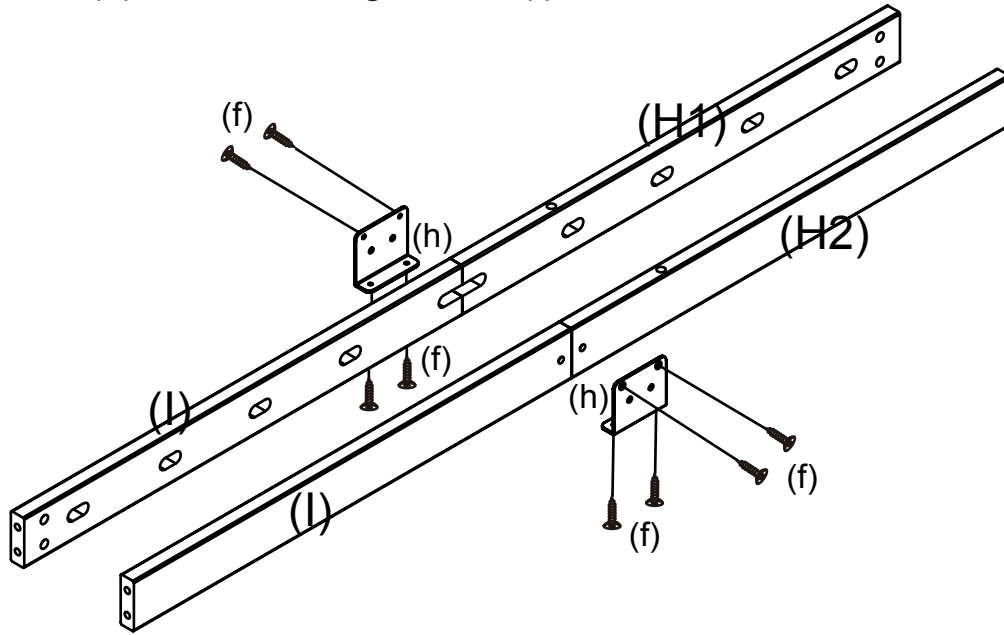
Using the bolt (d) and the wood dowel (e) to connect the left leg (B1) and right leg (B2) to top rail(G) and footboard (E);

STEP# 3

Connect the side bar (H1&H2) to the side bar (I) by wood dowels (j).



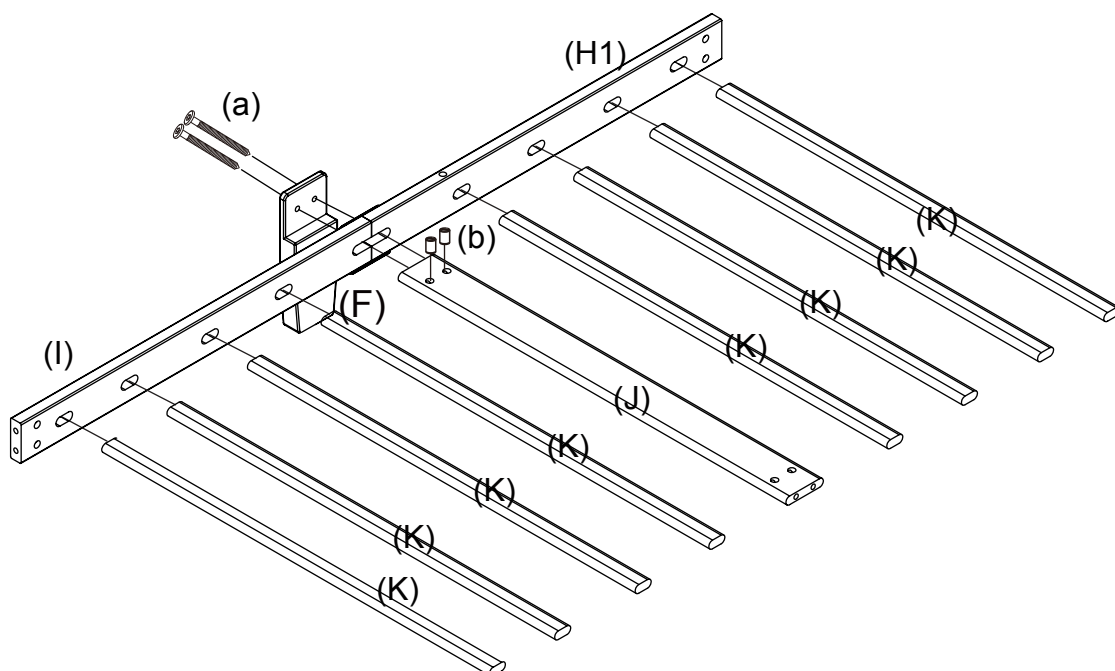
STEP# 4 Connect the side bar (H1&H2) to the side bar (I) by L metal plates (h) and selfdrilling screws (f).



Note: When attach the L metal plates (h), make sure the holes on the L metal plates (h) match to the holes on the side bar (H&I). Then tighten the selfdrilling screws (f).

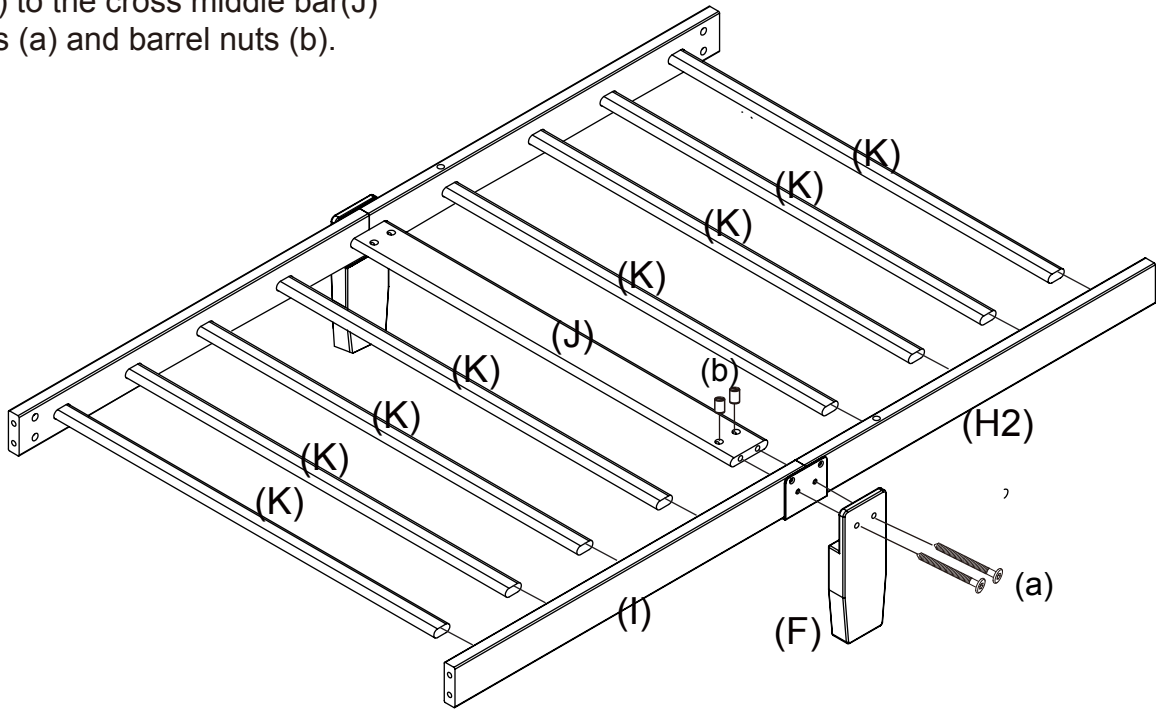
STEP# 5

Insert the cross bar (J&K) to the left side bar (H1&I). then attach the split legs (F) to the cross middle bar(J) by bolts (a) and barrel nuts (b).



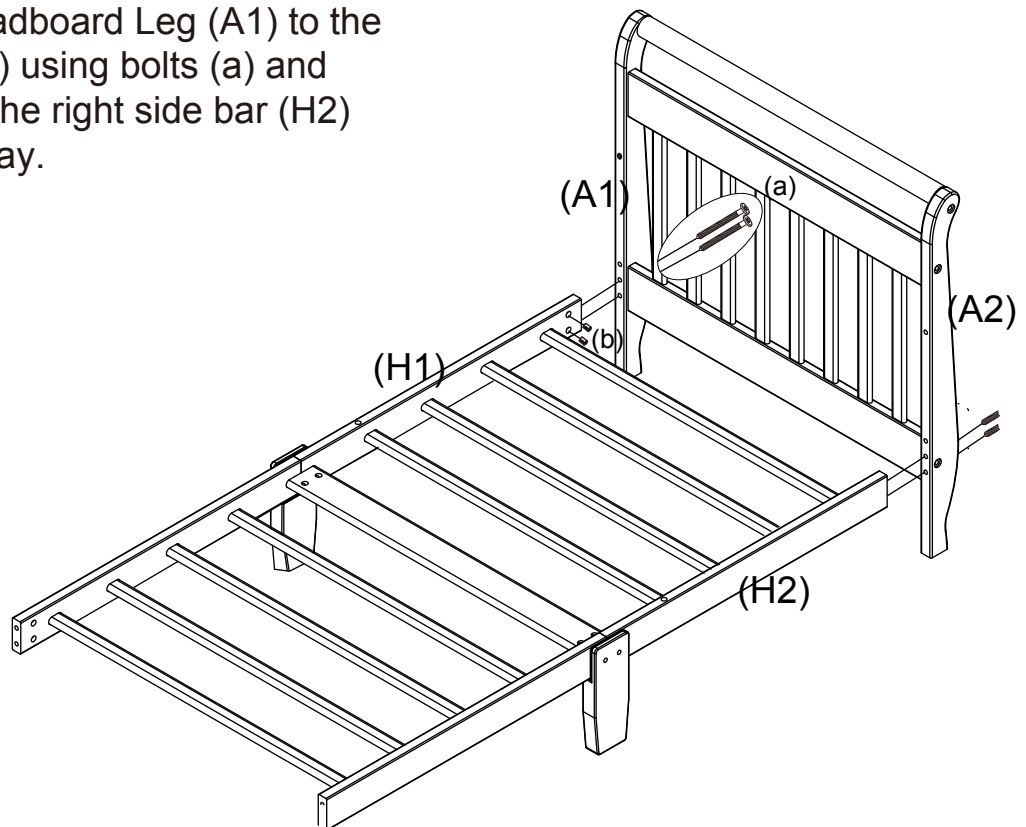
STEP# 6

Insert the cross bar (J&K) to the right side bar (H2&I) . then attach the split legs (F) to the cross middle bar(J) by bolts (a) and barrel nuts (b).



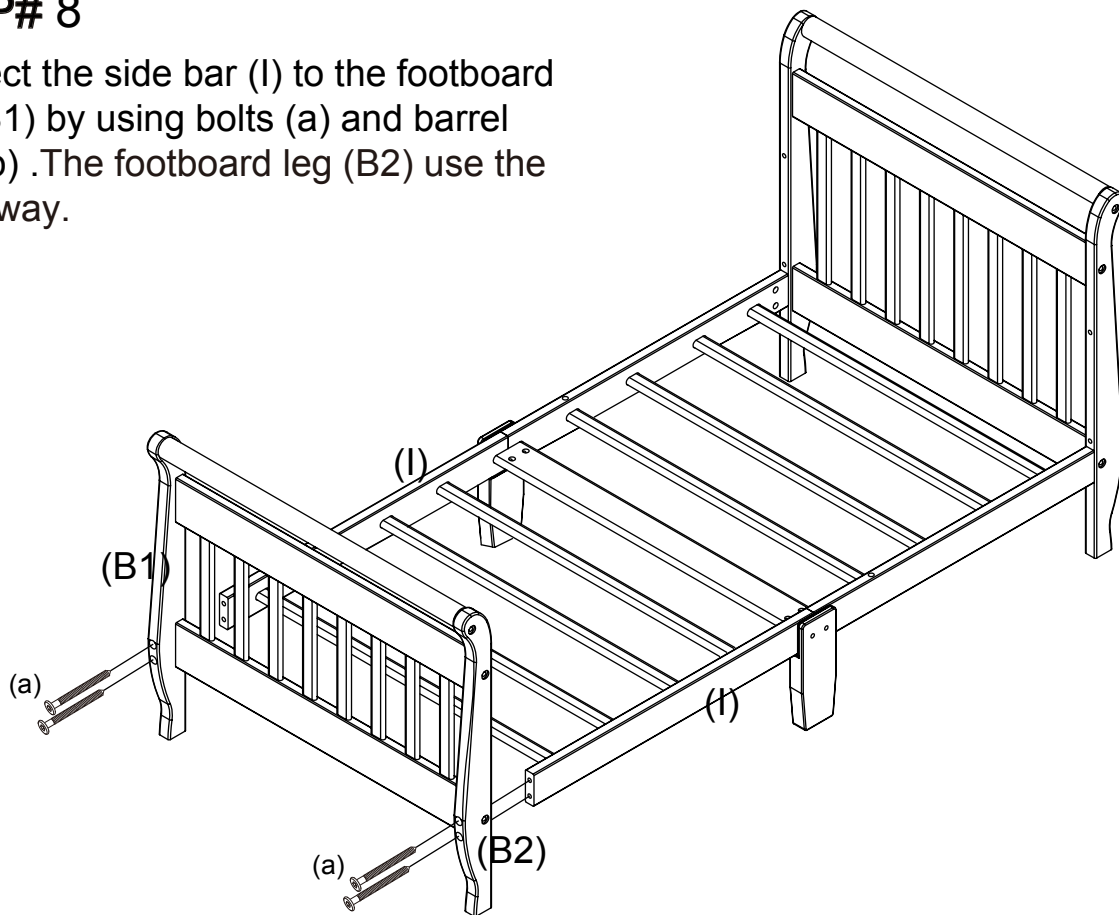
STEP# 7

Connect the headboard Leg (A1) to the left side bar (H1) using bolts (a) and Barrel Nuts(b).The right side bar (H2) use the same way.



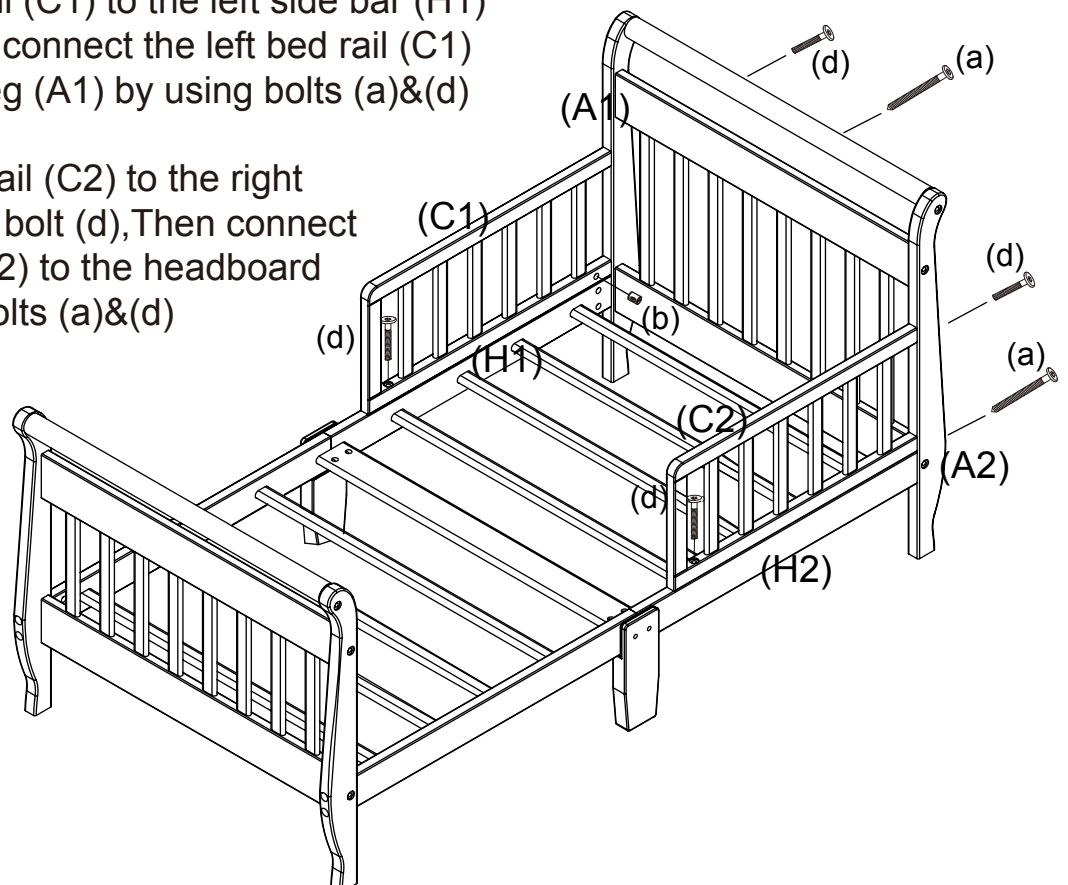
STEP# 8

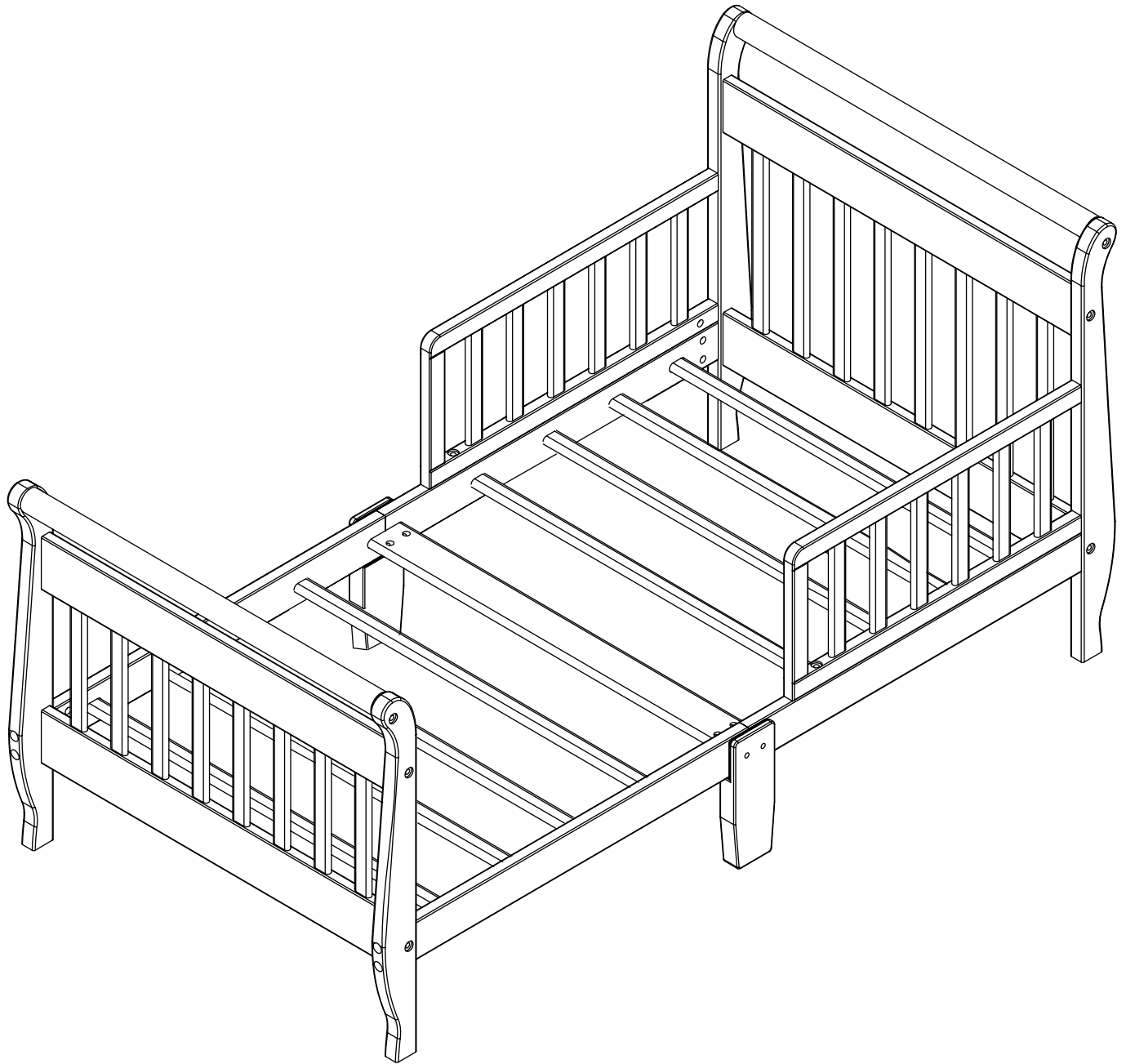
Connect the side bar (I) to the footboard Leg (B1) by using bolts (a) and barrel nuts (b). The footboard leg (B2) use the same way.



STEP# 9

1. Connect left bed rail (C1) to the left side bar (H1) using bolt (d), Then connect the left bed rail (C1) to the headboard leg (A1) by using bolts (a) & (d) and barrel nut (b).
2. Connect right bed rail (C2) to the right side bar (H2) using bolt (d), Then connect the right bed rail (C2) to the headboard leg (A2) by using bolts (a) & (d) and barrel nut (b).





**DO NOT RETURN TO STORE
CALL OR EMAIL FOR REPLACEMENT
TEL: 973-481-7401
MAIL: BABYTIMECUSTOMERSERVICE@GMAIL.COM**