



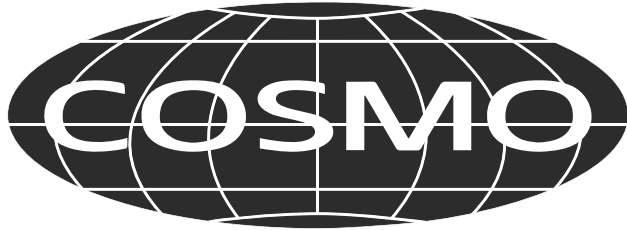
WALL MOUNT RANGE HOOD

**Planet
First** 100 %
Recycled Paper

This manual is made with 100 % recycled paper.

Electronic version of this manual is available at: www.cosmoappliances.com

Thank You



Thank you for your purchase. We know that you have many brands and products to choose from and we are honored to know that you have decided to take one of our products into your home and hope that you enjoy it.

Our appliances are designed according to the strictest safety and performance standard for the North American market. We follow the most advanced manufacturing philosophy. Each appliance leaves the factory after thorough quality inspection and testing. Our distributors and our service partners are ready to answer any questions you may have regarding how to install, use and care for your range hood.

We hope that this manual will help you learn to use the product in the safest and most effective manner and care for it so that it may give you the highest satisfaction in cooking for years to come. If you have any questions or concerns, please contact the dealer from whom you purchased it, or contact our Customer Support at 1-888-784-3108.

The manual also includes directions for the professional installer that will install the product in your home. We recommend using trained personnel for professional installation.

Please keep this manual for future use

STAINLESS STEEL BAFFLE FILTERS



About Your New Filters

Stainless Steel Baffle Filters do not need linings or mesh inside of the filters and are completely constructed out of stainless steel. The stainless steel construction allows them to be used again after being cleaned or going through the dishwasher.

How do Baffle Filters Work?

They function by forcing the grease filled air to quickly and continuously change direction as it passes through the filter. The grease is unable to change direction as fast as the air carrying them, they end up getting caught on the metal blades and then trapped into the filter tray. These filters are both efficient and require less maintenance.

IMPORTANT SAFETY INSTRUCTIONS

Read all instructions before using this appliance.

Save these instructions for future references

Approved for residential appliances

For residential use only

IMPORTANT SAFETY INSTRUCTIONS

CAUTION

FOR GENERAL VENTILATING USE ONLY. DO NOT USE TO EXHAUST HAZARDOUS OR EXPLOSIVE MATERIALS OR VAPORS.

CAUTION

To reduce risk of fire and to properly exhaust air, do not vent exhaust air into spaces within walls, ceilings, attics, crawl spaces, or garages.

WARNING

TO REDUCE THE RISK OF FIRE, USE ONLY METAL DUCT WORK. Install this hood in accordance with all requirements specified.

WARNING

TO REDUCE THE RISK OF FIRE, ELECTRIC SHOCK, OR INJURY TO PERSONS, OBSERVE THE FOLLOWING:

- A. Use this unit only in the manner intended by the manufacturer. If you have questions, contact the manufacturer
- B. Before servicing or cleaning the unit, switch power off at service panel and lock service panel disconnecting means to prevent power from being switched on accidentally. When the service disconnecting means cannot be locked, securely fasten a prominent warning device, such as a tag, to the service panel.
- C. Installation Work and Electrical Wiring Must Be Done By Qualified Person(s) In Accordance With all Applicable Codes & Standards, Including Fire-rated Construction.
- D. Sufficient air is needed for proper combustion and exhausting of gases through the flue (Chimney) of fuel burning equipment to prevent back-drafting. Follow the heating equipment manufacturers guideline and safety standards such as those published by the National Fire Protection Association (NFPA), the American Society for Heating, Refrigeration and Air Conditioning Engineers (ASHRAE), and the local code authorities.
- E. When cutting or drilling into wall or ceiling, do not damage electrical wiring and other hidden utilities.
- F. Ducted systems must always be vented to the outdoors.

WARNING

To Reduce The Risk Of Fire Or Electric Shock, Do Not Use This Hood With Any External Solid State Speed Control Device.

WARNING

GROUNDING INSTRUCTIONS

This appliance must be grounded. In the event of an electrical short circuit, grounding reduces the risk of electric shock by providing an escape wire for the electric current. This appliance is equipped with a cord having a grounding wire with a grounding plug. The plug must be plugged into an outlet that is properly installed and grounded.

WARNING - IMPROPER GROUNDING CAN RESULT IN A RISK OF ELECTRIC SHOCK.

Consult a qualified electrician if the grounding instructions are not completely understood, or if doubt exists as to whether the appliance is properly grounded. Do not use an extension cord. If the power supply cord is too short, have a qualified electrician install an outlet near the appliance.

WARNING

TO REDUCE THE RISK OF INJURY TO PERSONS, IN THE EVENT OF A RANGE TOP GREASE FIRE, OBSERVE THE FOLLOWING:

- A. **SMOTHER FLAMES** with a close - fitting lid, cookie sheet, or other metal tray, then turn off the gas burner or the electric element. **BE CAREFUL TO PREVENT BURNS.** If the flames do not go out immediately, **EVACUATE AND CALL THE FIRE DEPARTMENT.**
- B. **NEVER PICK UP A FLAMING PAN** - you may be **DO NOT USE WATER**, including wet dishcloths or towels - a violent steam explosion will result.

Always leave safety grills and filters in place. Without these components, operating blowers could catch onto hair, fingers and loose clothing. The manufacturer declines all responsibility in the event of failure to observe the instructions given here for installation, maintenance and suitable use of the product. The manufacturer further declines all responsibility for injury due to negligence and the warranty of the unit automatically expires due to improper maintenance.

WARNING

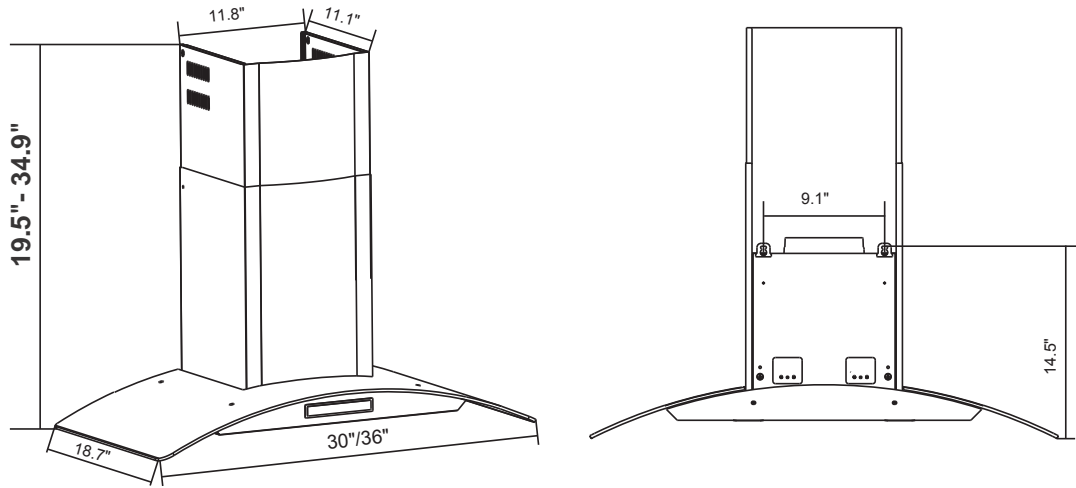
Unplug or disconnect the appliance from the power supply before servicing.

TABLE OF CONTENTS

PARTS DIAGRAM	05
INSTALLATION REQUIREMENTS	07
INSTALLATION PROCEDURES	09
OPERATING INSTRUCTIONS	13
MAINTENANCE	15
TROUBLESHOOTING	16
WARRANTY AND SERVICE	17

PARTS DIAGRAM

668A 750/900 - 668AS 750/900



MAIN PARTS

1. Inner chimney cover

2. Outer chimney cover

3. Exhaust pipe

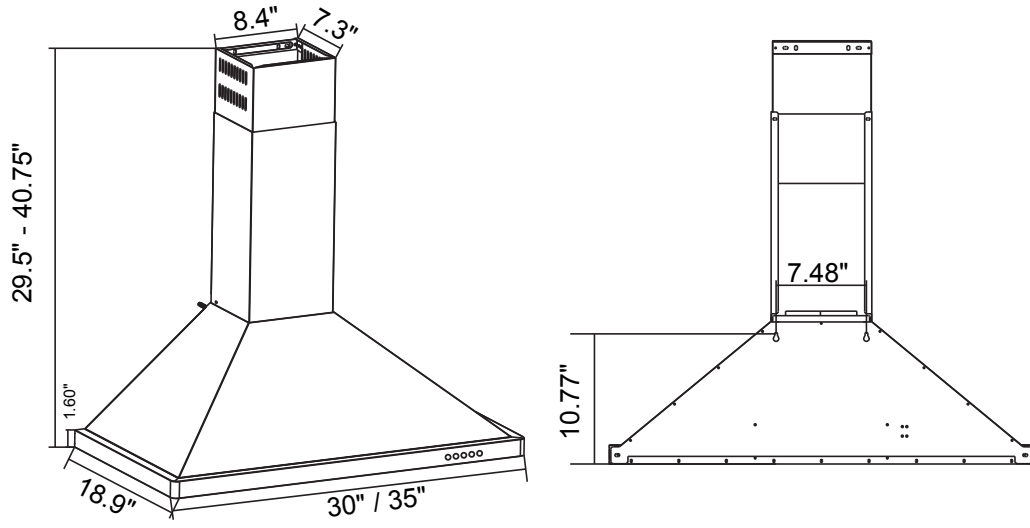
4. Blower Assembly

5. Tempered Glass

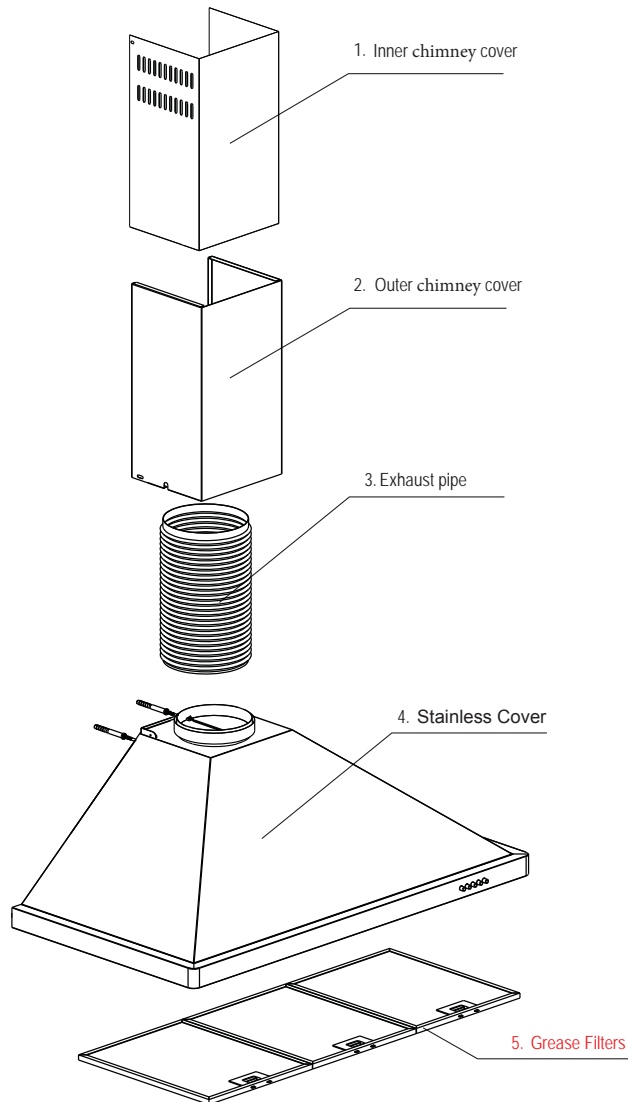
6. Grease Filters

PARTS DIAGRAM

63190FT 750/900 - COS-631 750/900

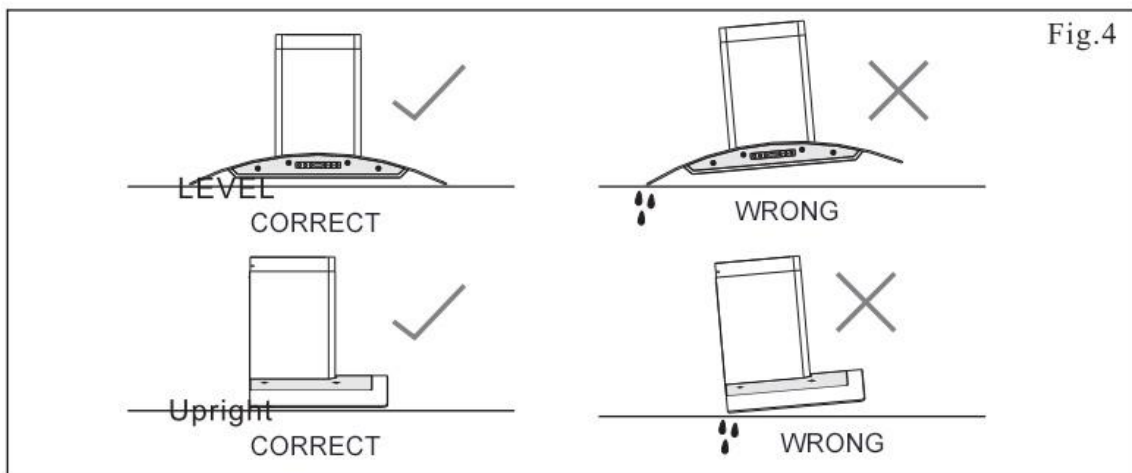
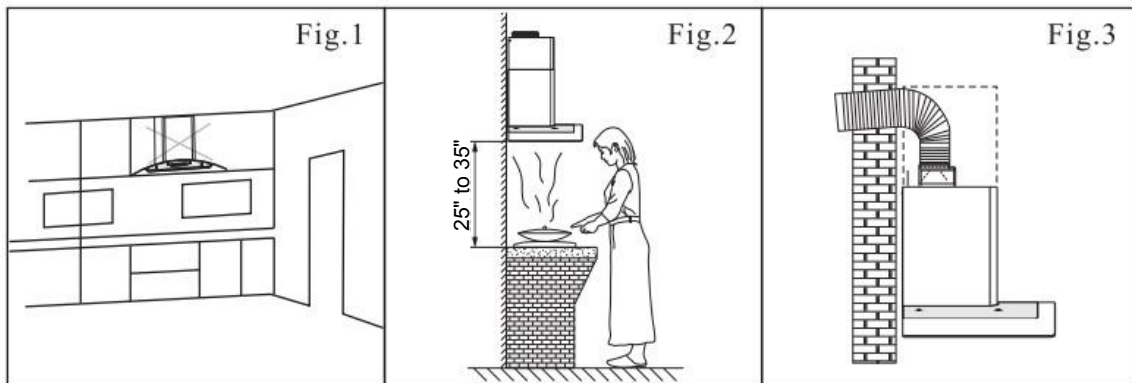


MAIN PARTS

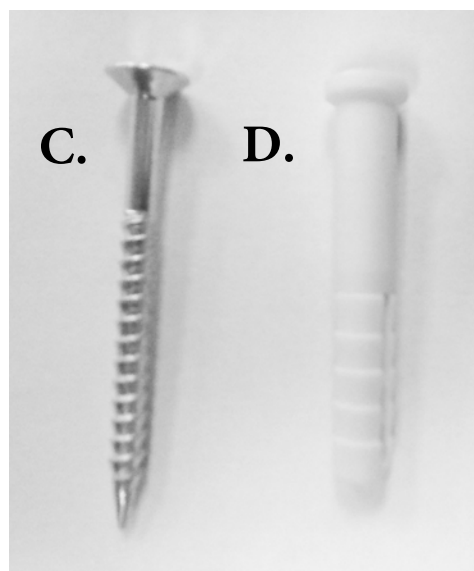
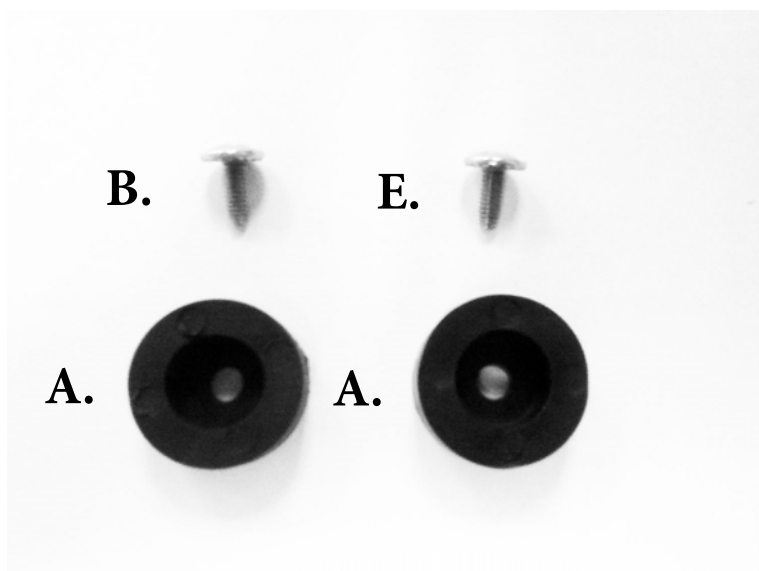


INSTALLATION REQUIREMENTS

1. Do not install the range hood where there are many open doors or windows. This will cause reduced performance. (Fig. 1)
2. Install the range hood right above the cooktop. The optimal distance between the cooktop and lower edge of the range hood is 24" to 36". (Fig. 2) Install at the height appropriate to your ceiling. Make sure the chimney can still reach the ceiling. If your ceiling or preference requires installation to be a few inches higher or lower than 24-36" you may do so without major loss of performance.
3. In order to get optimal performance, do not over extend the exhaust pipe and avoid unnecessary bending. (Fig. 3)
4. After hanging the unit on the wall, ensure the range hood is straight and leveled. (Fig. 4)
5. The air outlet must be connected to chimney flues or combustion gas ducts. Under no circumstances should the air outlet be connected to ventilation ducts for rooms in which fuel-burning appliances are installed.



Parts List



Parts List:

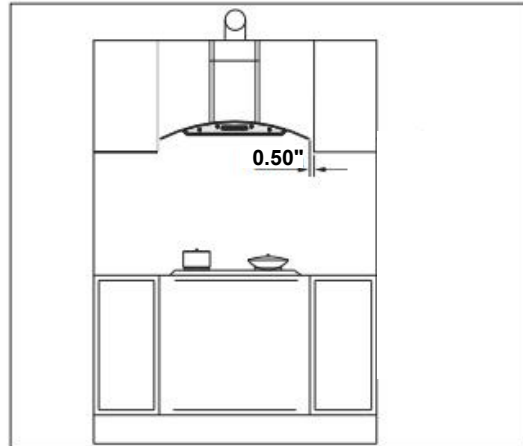
- A.** Rubber Disc x 2 - Padding for the back of the Range Hood (Optional). To install screw on back in holes located under mounts.
- B.** Metal Screws x 2 (To secure rubber disc to Range Hood)
- C.** Wood Screws x 6 (Only four *are used*)
- D.** Plastic Anchors x 6 (Only four *are used*)
- E.** Metal Screws x 2 (Locks Chimney to Housing)

INSTALLATION PROCEDURES

CAUTION: HOOD MAY HAVE VERY SHARP EDGES; PLEASE WEAR PROTECTIVE GLOVES WHENEVER IT IS NECESSARY TO REMOVE ANY PARTS FOR INSTALLING, CLEANING OR SERVICING.

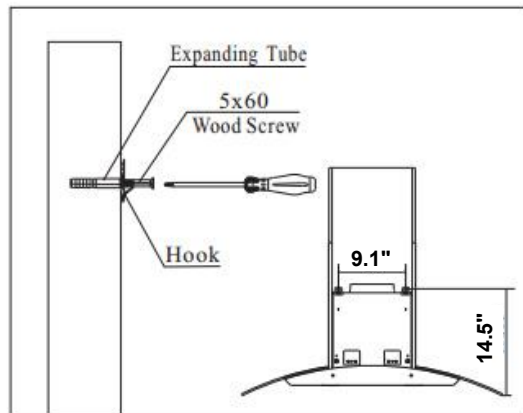
Step 1:

Place the range hood on the wall and mark the position where you want to install. A height of 24" to 36" is recommended for optimal performance. Install at the height appropriate to your ceiling. Make sure the chimney can still reach the ceiling. If your ceiling or preference requires installation to be a few inches higher or lower than 24-36" you may do so without major loss of performance.



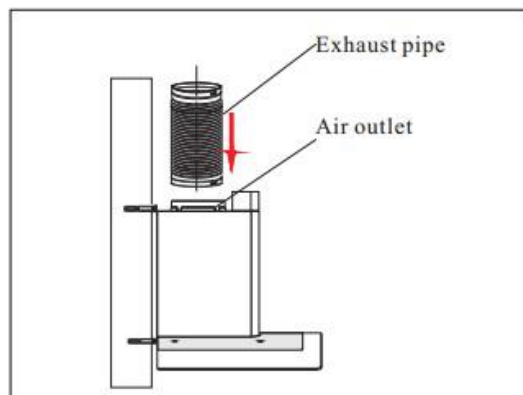
Step 2:

- Find the 2 mounting holes in the back of the range hood. Mark their locations at the installation location with a pencil or marker.
- Drill 5/16 (8mm) hole at each of the marked locations.
- Insert anchors along with screws into each drilled hole. Firmly tighten the screw into place.
- Hang your Range Hood into place by aligning the screws with the two mounting holes in the back of the range hood.



Step 3:

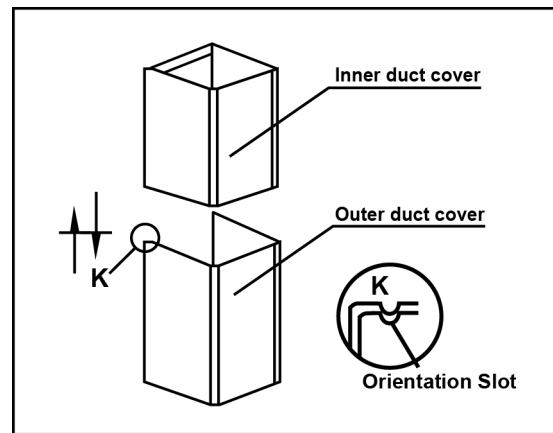
Find the exhaust pipe, attach it to the top air outlet with HVAC foil tape (not included). Make sure it is connected tightly to the air outlet.



Step 4:

Insert the inner chimney cover into the outer chimney cover. Note that the inner chimney cover must slide into the outer chimney covers orientation slot.

Attach outer chimney cover to the unit's motor housing with type M4 screws.



Step 5:

A. Extend the inner chimney cover to the height at which it will touch the ceiling. Using a pencil, place a small mark on each side of the chimney cover which is level with the screw holes of the chimney. Now slide the inner chimney cover down.

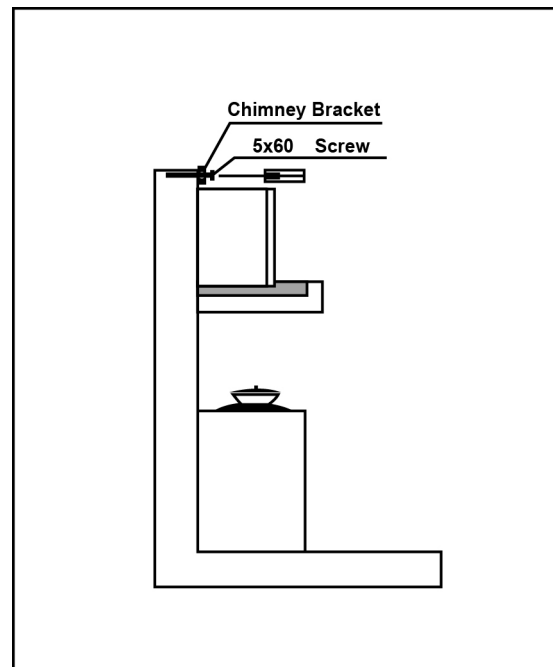
B. Using a pencil, draw a straight line connecting the two marks you made in Step 5 A.

C. Align the middle of the chimney bracket with the drawn line and make a mark where each screw hole in your wall will need to be drilled for the mounting of the bracket .

D. Drill 5/16" (8 mm) hole at each of the marked locations.

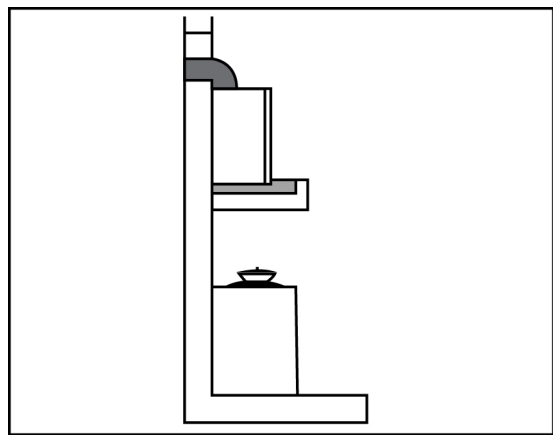
E. Insert anchors into each drilled hole.

F. Align chimney bracket with the drilled holes and firmly screw it into place.



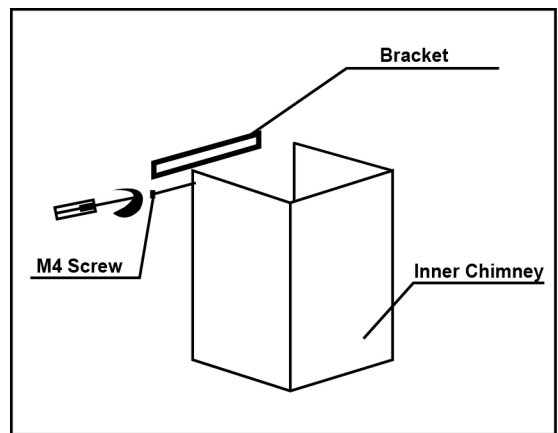
Step 6:

Extend the exhaust pipe to the vent-pipe of your building or to outside. For optimal performance try to have the least amount of bending possible.



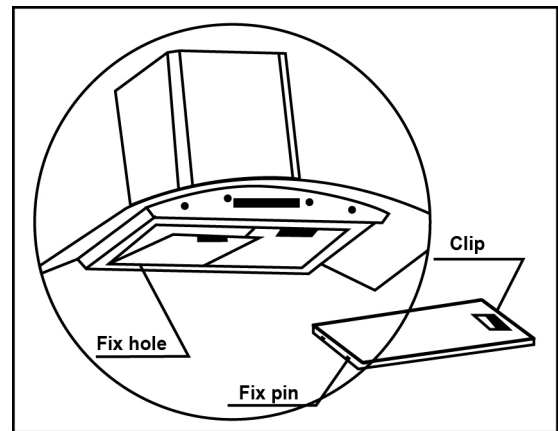
Step 7:

Extend Inner Chimney to the Ceiling.
Align sides with Mounting Bracket.
Firmly screw sides of Inner Chimney
into bracket with type M4 screws.



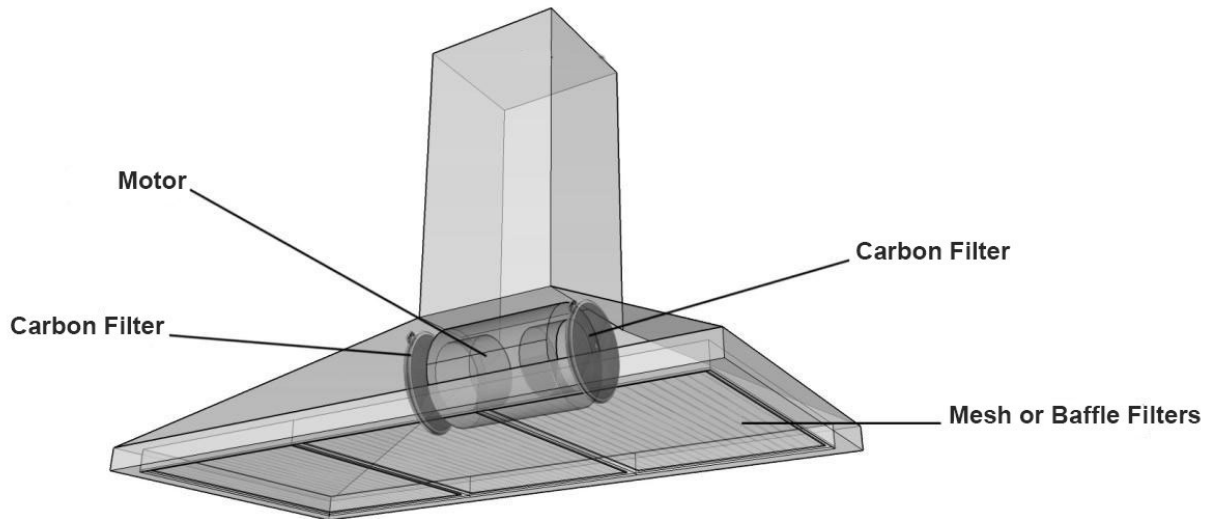
Step 8:

Insert and install filters according to the
diagram.



RECIRCULATING CHARCOAL FILTERS

Skip this page if you are installing a Ducted Range Hood.
Charcoal Filters are only included with Ductless Models



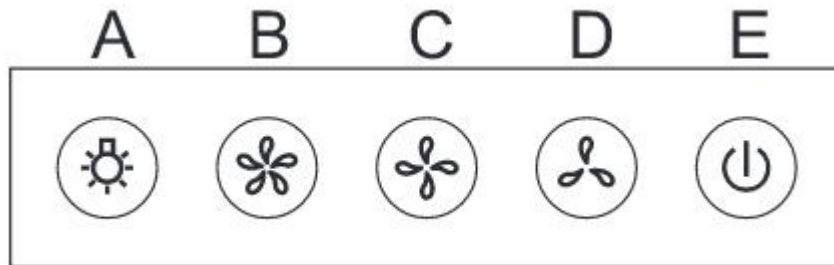
Installing Recirculating Filters (For Ductless Model Only)

1. Remove the Baffle Filters
2. Locate the Motor
3. Place a Carbon Filter on one side of the motor and align with the clips.
4. Twist and Lock into Place.
5. Repeat steps 2-4 for the other side of the motor.
6. Place the Baffle Filters back into place.
7. **Chimney Vent Holes located on the sides of the chimney must be exposed to let the filtered air recirculate.**

Push Button Controls

668A 750 / 900 - 63190 / 63175 - 63175E / 63190E

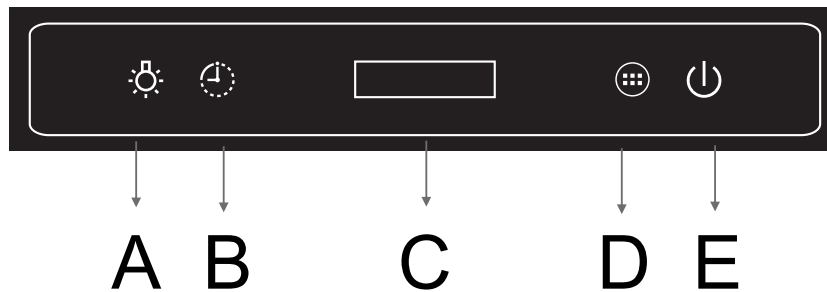
- A. Light. Press to turn light on / off.**
- B. Highest Fan Setting**
- C. Medium Fan Setting**
- D. Lowest Fan Setting**
- E. Power Button. Press to turn unit on / off.**
When shutting off, press once to delay shut-off for 1 minute, or press twice to shut off immediately.



Soft Touch Controls

668AS 750 / 900 - 63190S / 63175S

- A. Light. Press to turn light on / off.**
- B. Timer Button**
- C. Display Panel**
- D. Fan Speed Button**
- E. Power Button. Press to turn unit on / off.**



Setting the Clock

Clock is in Military Time and cannot be changed.

1. Hold Timer Button for 3 Seconds

Use Light Button (B) to set Minutes

Use Fan Speed Button (D) to set Hours

2. After setting the time, leave the unit alone for 5 seconds for the changes to save.

Setting the Timer

1. Turn fan on and set to desired fan speed.

2. Press the Timer Button (B) it will turn blue.

Continue tapping the Timer Button (B) to set the time duration before the fan should automatically turn off.

2. After setting the timer, leave the unit alone for 5 seconds for the changes to save and the timer will start counting down.

MAINTENANCE

CAUTION: NEVER PUT YOUR HAND INSIDE OF THE UNIT WHILE ITS OPERATING. FOR THE BEST PERFORMANCE CLEAN YOUR RANGE HOOD REGULARLY.

CLEANING

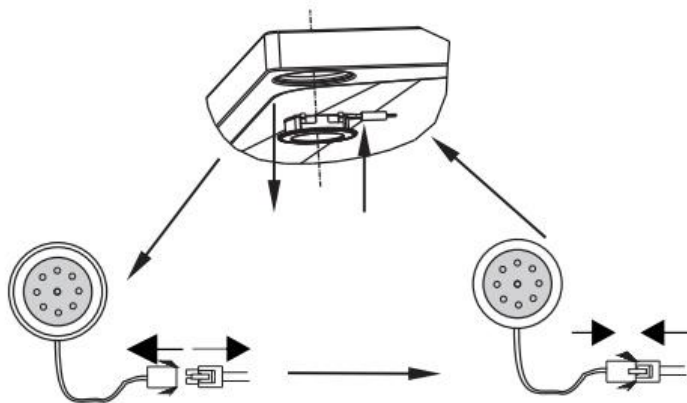
1. Use only mild soap or cleaning solutions to clean the range hoods outer surface. Dry surfaces using a soft cloth.
2. Stainless Steel cleaner may be used on the external surface.
3. **Cleaning the Baffle Filters:** For daily cleaning, use hot, soapy water and a soft cloth. Wipe dry and finish with a damp micro-fiber cloth. Baffle filters can also be cleaned in the dishwasher.
4. Clean the Range Hood assembly once every 6 months.
5. **DO NOT** clean the motor or electrical components with water or any other liquid

REPLACING LIGHT BULBS

CAUTION: LAMP UNIT MAY BE HOT! WAIT UNTIL THE UNIT IS COOL. *BEFORE ATTEMPTING TO REPLACE THE LED LAMPS MAKE SURE THE UNIT IS POWERED OFF AND UNPLUGGED.*

Note: Individual LED bulbs cannot be replaced only LED lamps.

1. Remove the baffle filters
2. Find the wire connection of the lamp and unplug.
3. Remove old LED lamp.
4. Plugin new LED lamp.
5. Reinstall the baffle filters.



TROUBLESHOOTING

CAUTION: ALWAYS UNPLUG UNIT FROM POWER BEFORE SERVICING

PROBLEM	SOLUTION	TOOLS
My range hood is noisy.	A. Check inside the range hood for any loose debris and remove.	Phillips Screwdriver
My range hood has poor performance..	A. The range hood and cooktop are too far away from each other. Optimal distance is 24" to 36" B. There are too many open windows or doors in the area. Close some doors or windows. C. The motor performance has decreased due to wear. Replace motor. D. Check and make sure the tape holding down the damper flaps at the vent hole are removed before use.	Phillips Screwdriver
My range hood shakes.	A. The installation is not secure. Check again and make sure the installation hardware is securely mounted. B. The fan is broken or not balanced. Realign or replace fan. C. The motor is loose. Check and make sure the motor is solidly mounted to the unit.	Phillips Screwdriver
The motor no longer runs.	A. Replace control panel or circuit board. B. Replace with new motor assembly.	Phillips Screwdriver
Light bulbs went out.	A. Replace with a new LED lamp assembly.	Phillips Screwdriver

WARRANTY AND SERVICE

Limited Warranty

This unit comes with 5 Year Manufacturer's Part Warranty. Within 5 years after date of receiving the product, Cosmo will replace any functional parts that are defective. The customer must contact Cosmo and provide a description of the defective part, including digital pictures if requested, along with original proof of purchase.

Defective components must be returned to Cosmo shipping prepaid. After the 1st year, shipping costs of replacement parts will also be prepaid by customer.

Functional parts are those components/parts that are critical to the performance of the product's essential function. Non-functional parts are those that are a cosmetic feature of the product such as knobs, grates, other metal bodies/surfaces, etc.

A. Warranty does not cover failure as result of: misuse, abuse, rust or corrosion, spilled liquids or foreign objects found inside the unit; repair of damage caused by accident, theft, fire, flood, external causes such as, but not limited to, blow fuses, inadequate electrical power, water and gas lines beyond the equipment, or any use of the product not authorized by the manufacturer.

B. The maximum liability of the warranty for product replacement or repair shall not exceed the original purchase price of the product.

C. Cosmo reserves the right to repair or replace the covered product with a comparable feature model of like kind.

D. Warranty does not cover deterioration of the appearance of the product, any cosmetic part such as paint, porcelain, glass, dents, scratches, chips, rust or peeling.

E. Any damage resulting from unauthorized replacement parts, improper service or modifications made to the covered product are not covered.

F. Cosmo is released from all liability due to indirect, consequential or incidental damages.

G. If replacement unit(s) is needed, shipping will be paid by the customer.

TO RECEIVE WARRANTY SERVICE, YOUR PRODUCT MUST BE REGISTERED. TO REGISTER, VISIT: WWW.COSMOAPPLIANCES.COM/WARRANTY