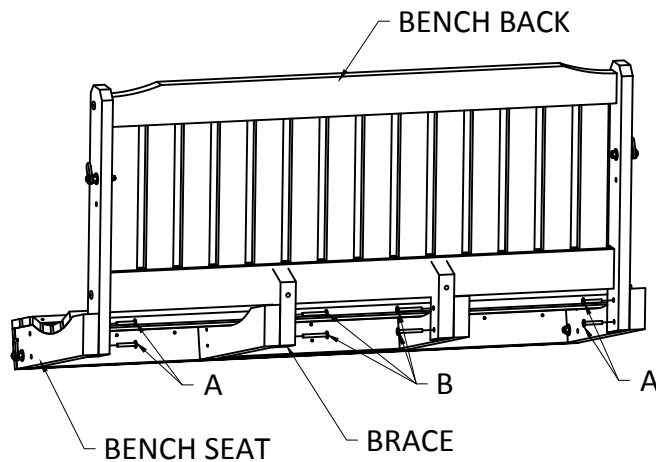
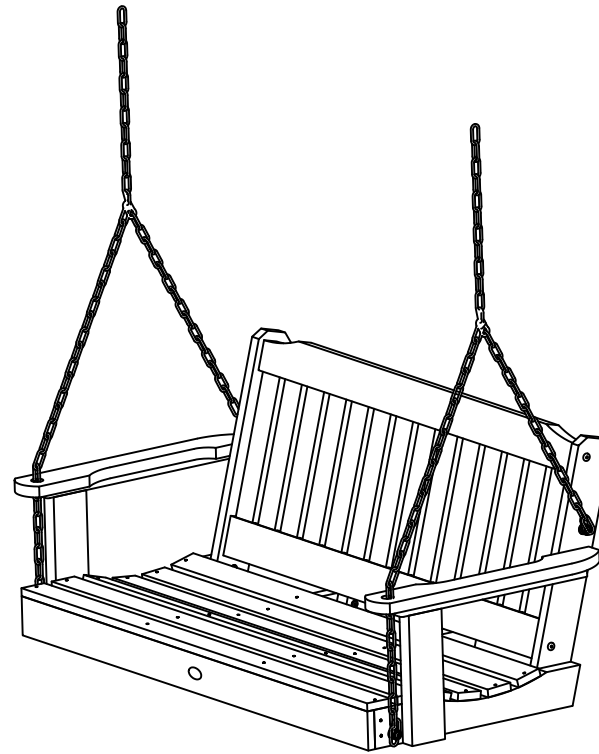


Porch Swing

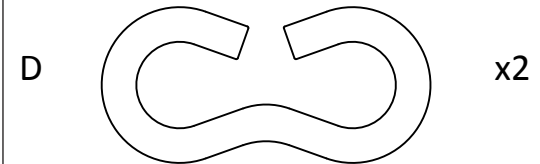
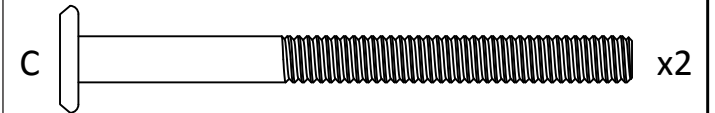
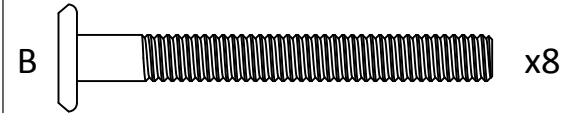
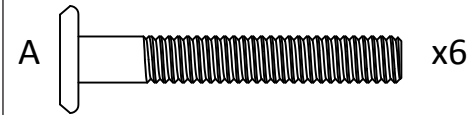
Assembly Guide



1) Attach Swing Back to Swing Seat using Two A Bolts in the Holes on each side.

2) Attach Center Supports to Braces with Four B Bolts.

HARDWARE



IMPORTANT!

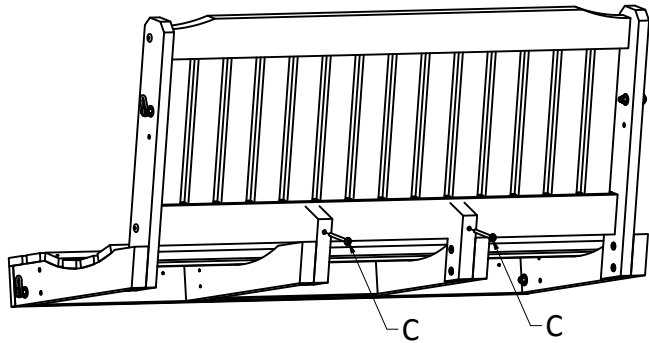
DO NOT fully tighten the bolts until all bolts are started. Once all bolts are inserted, then go back and tighten all the bolts.

INCLUDED TOOLS

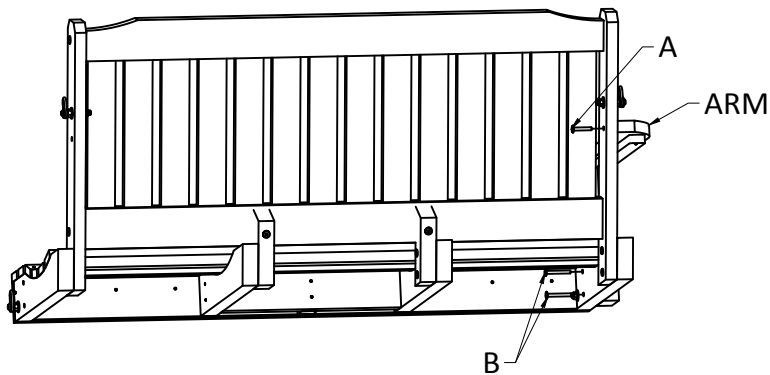


Porch Swing

Assembly Guide

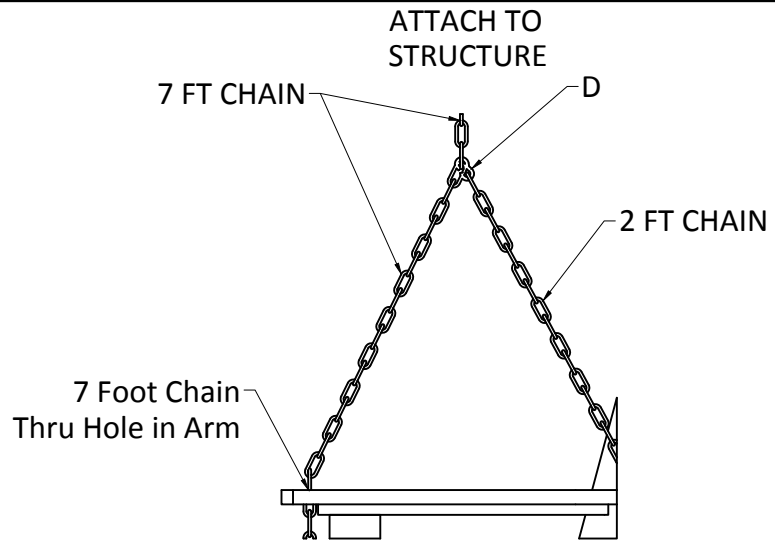


3) Attach the Braces to the Back with Two C Bolts.



4) Attach the Arm Assembly to the Swing Seat using Two B bolts in the front and One A Bolt in the Arm.

5) Repeat on other Side.



6) Attach Chain Connector D to End of 2 Foot Chain.

7) Guide 7 Foot Chain Thru Hole in Arm and Attach other End of Chain Connector D to 7 Foot Chain so that Arm is Level as shown.

8) Repeat on Other Side.

9) Attach Ends of 7 Foot Chain to Structure.

