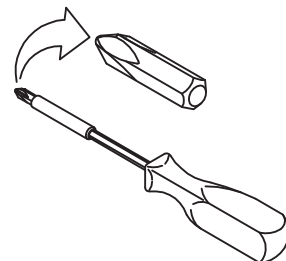
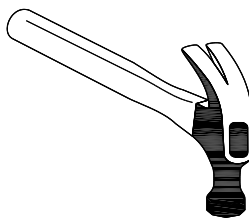
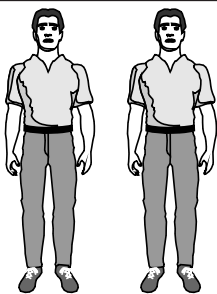
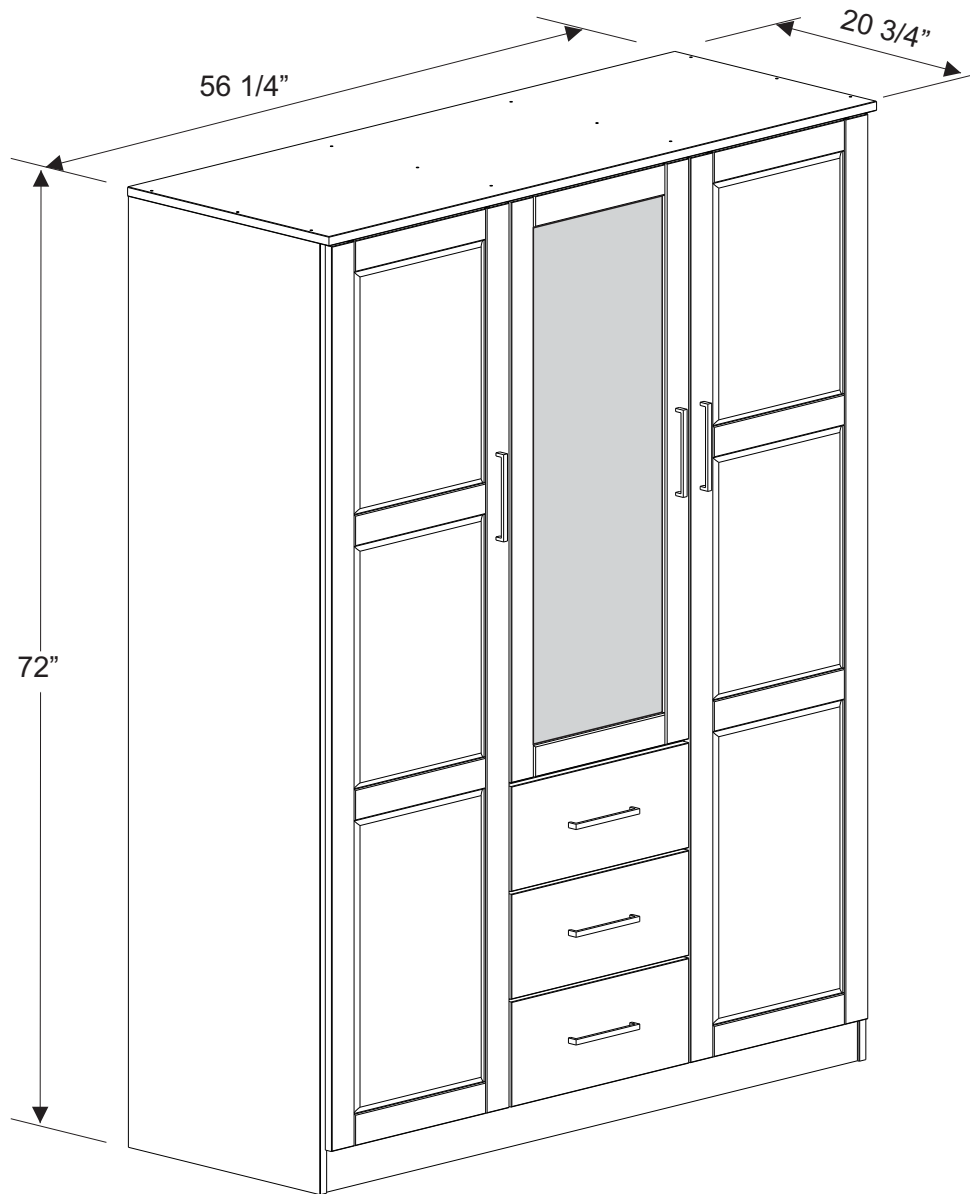



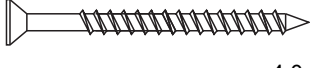
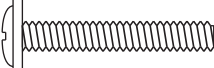
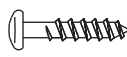

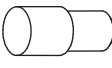
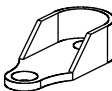
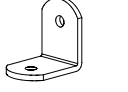
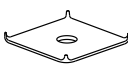


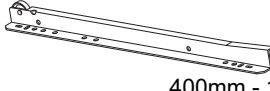
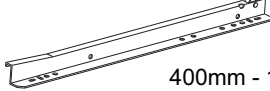
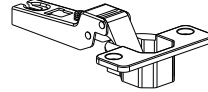
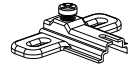
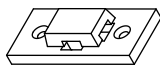


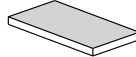
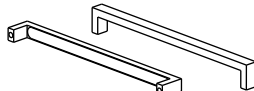
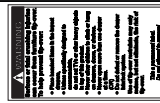
# ASSEMBLY INSTRUCTIONS

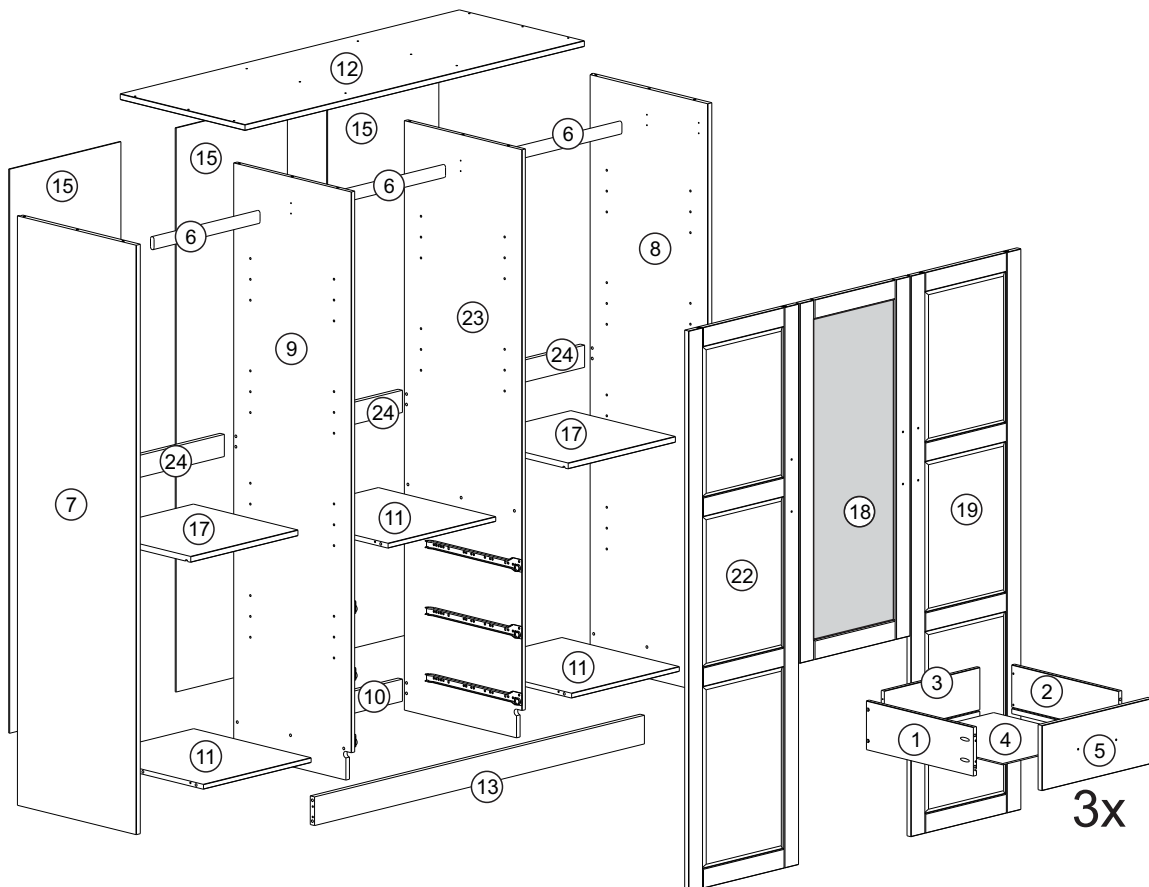
## 3-DOOR WARDROBE WITH MIRROR AND 3 DRAWERS



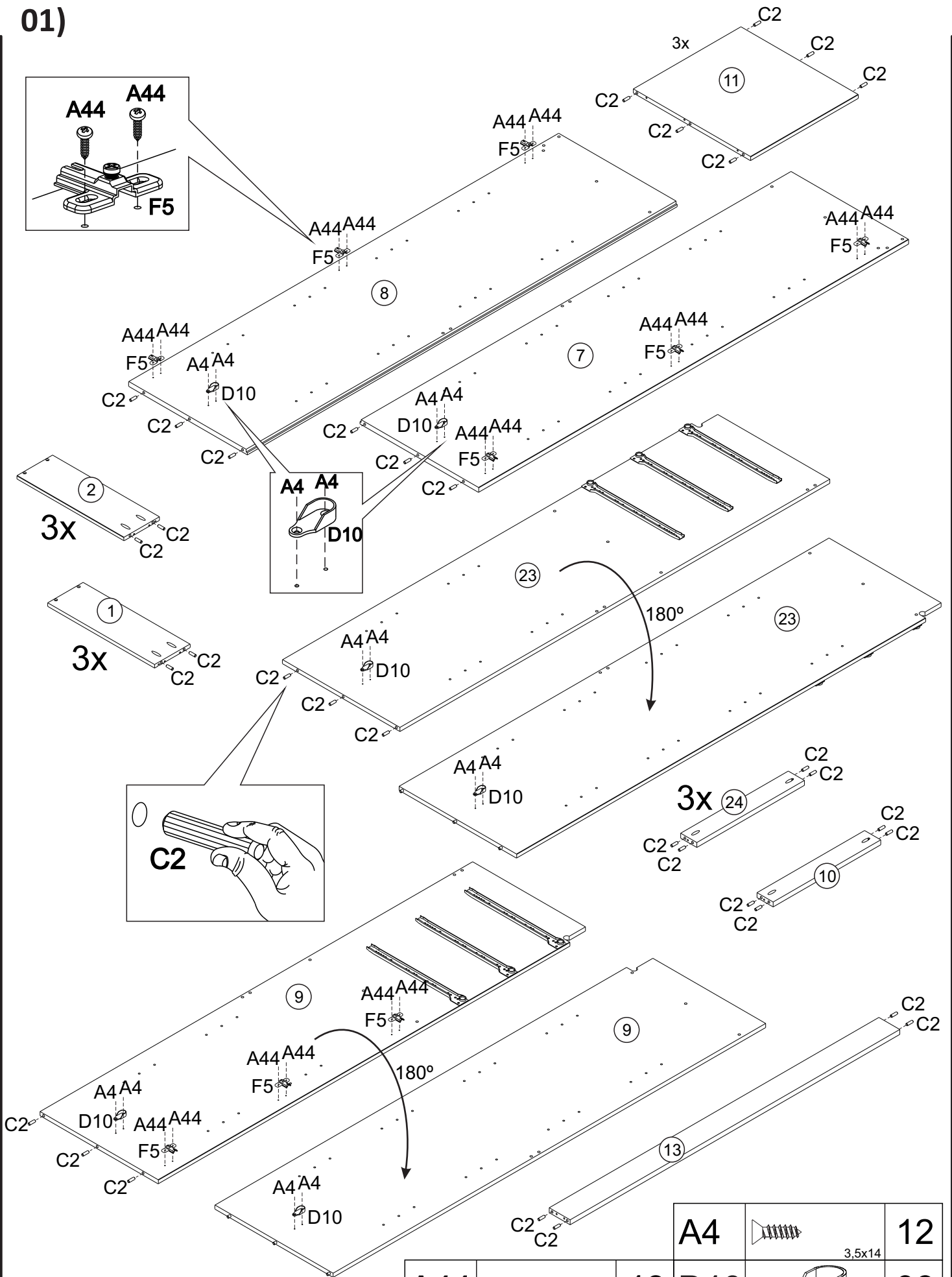
SCREWS ARE SHOWN IN ACTUAL SIZE

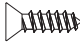
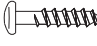
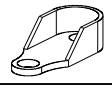
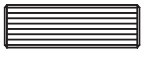

A1	 4,0x30	54
A4	 3,5x14	24
A8	 3,0x20	02
A16	 4,0x40	12
A25	 M4x25	12
A44	 3,5x14	50
C2	 8,0x25	62
D4		08
D10		06
D16		02
D27		10

E3	 400mm - 15 3/4"	03
E4	 400mm - 15 3/4"	03
F4		09
F5		09
F8		02
F9		01
G1	 10x10	50
G11		08
H12		06
J1		01

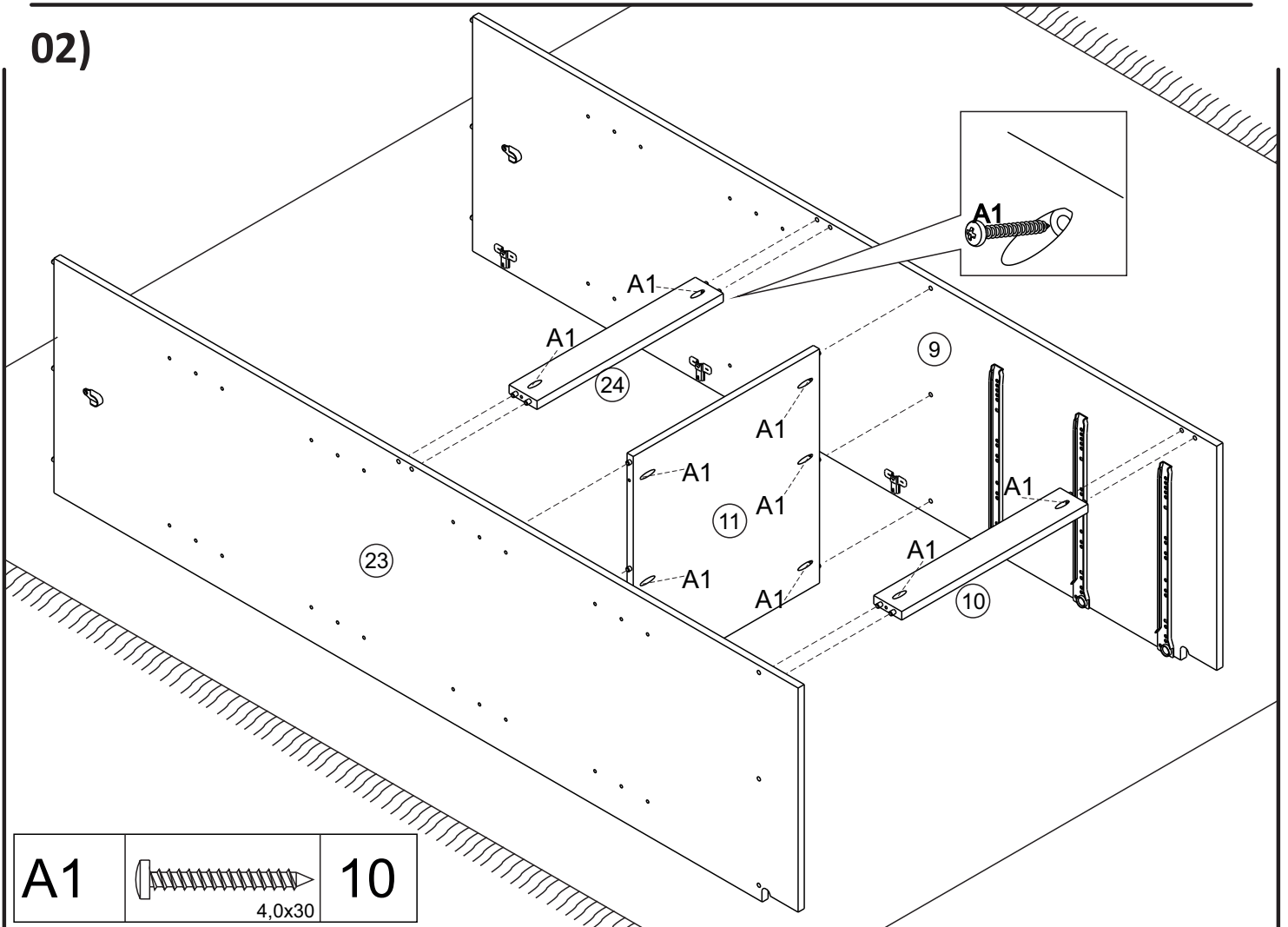


# 01)

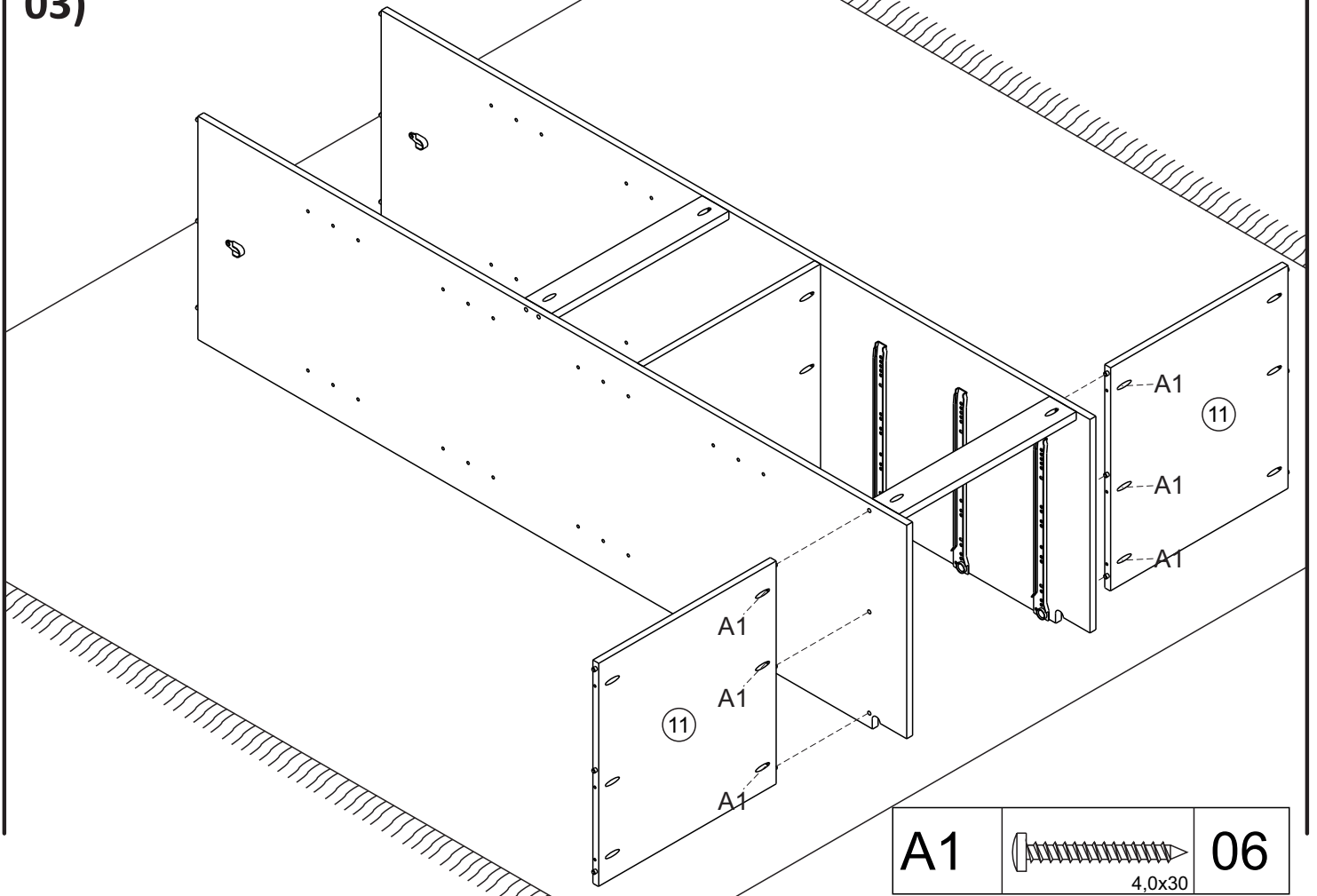


	A4		12
		3,5x14	
A44		18	D10
	3,5x14		
C2		62	F5
	8,0x25		

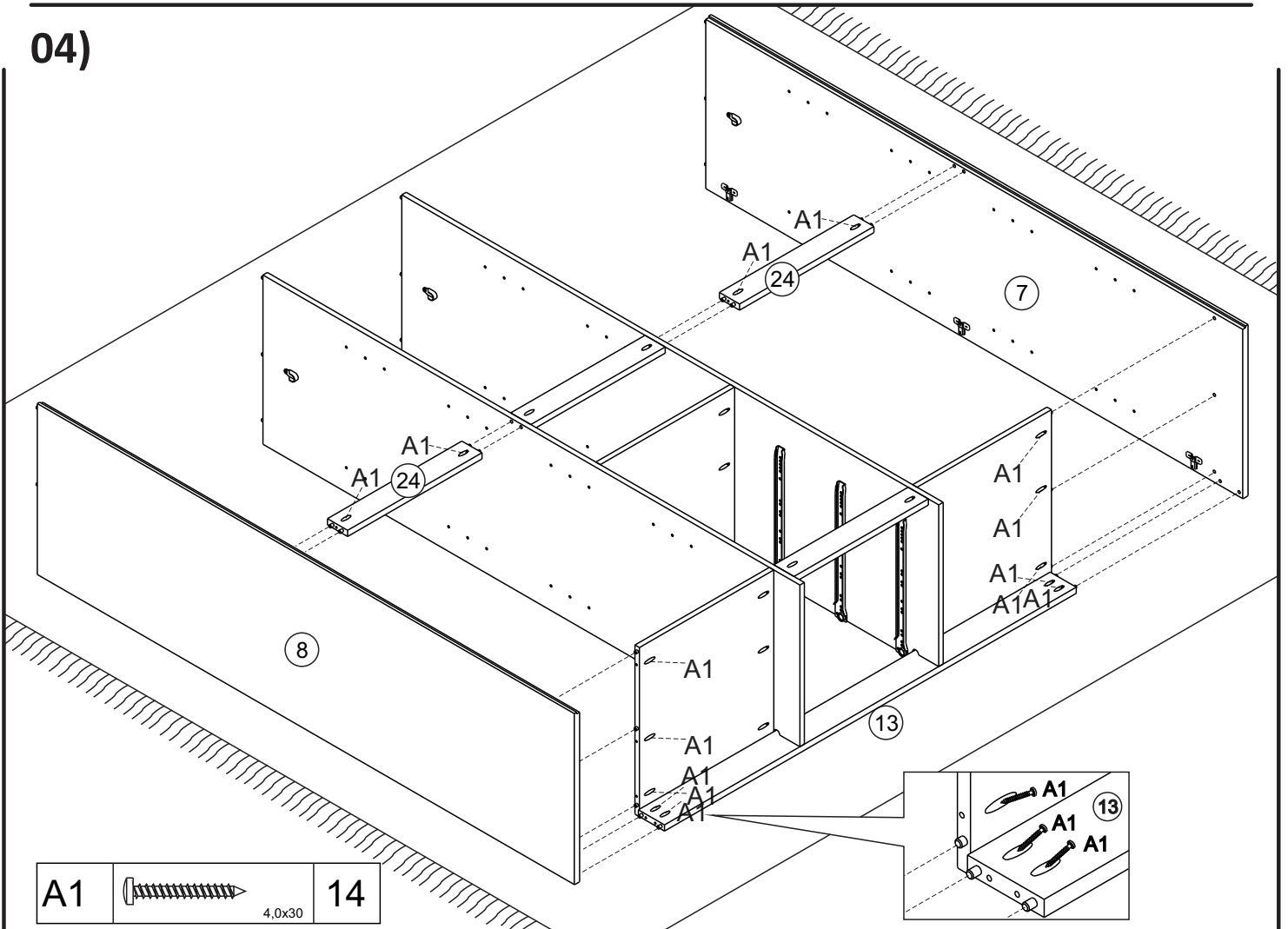
02)



03)

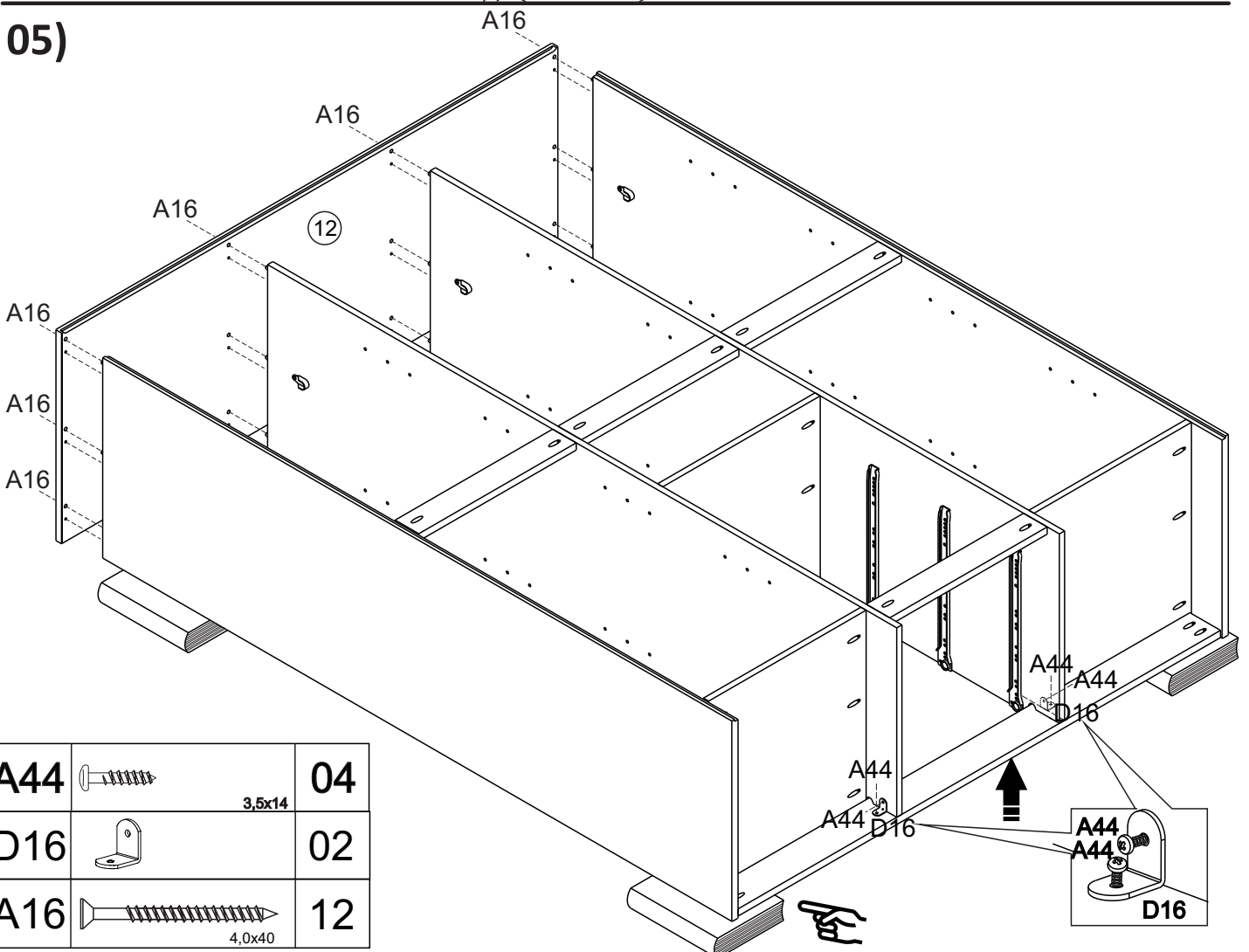


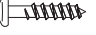


04)



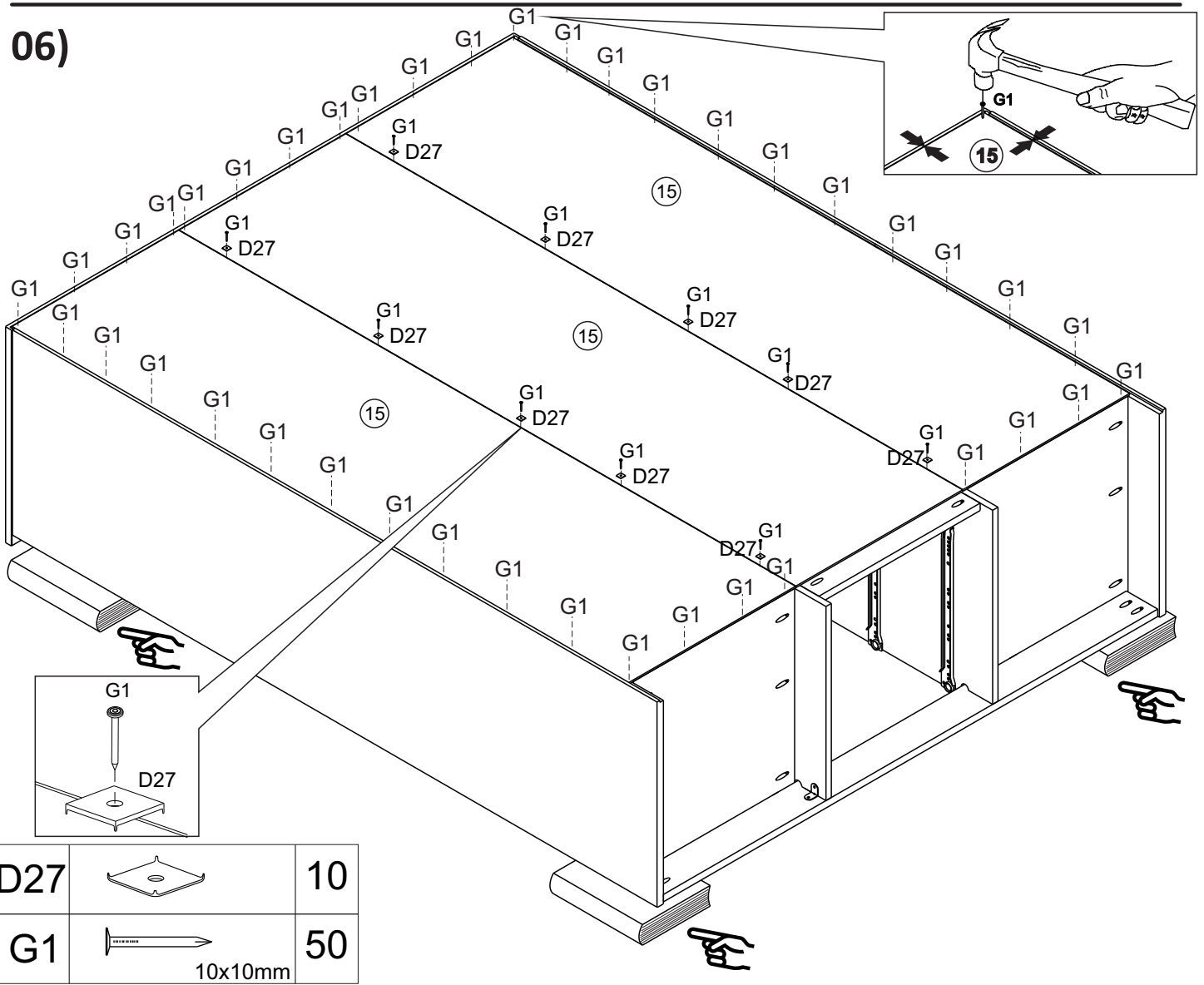
A1		4,0x30	14
----	---	--------	----


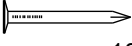
05)



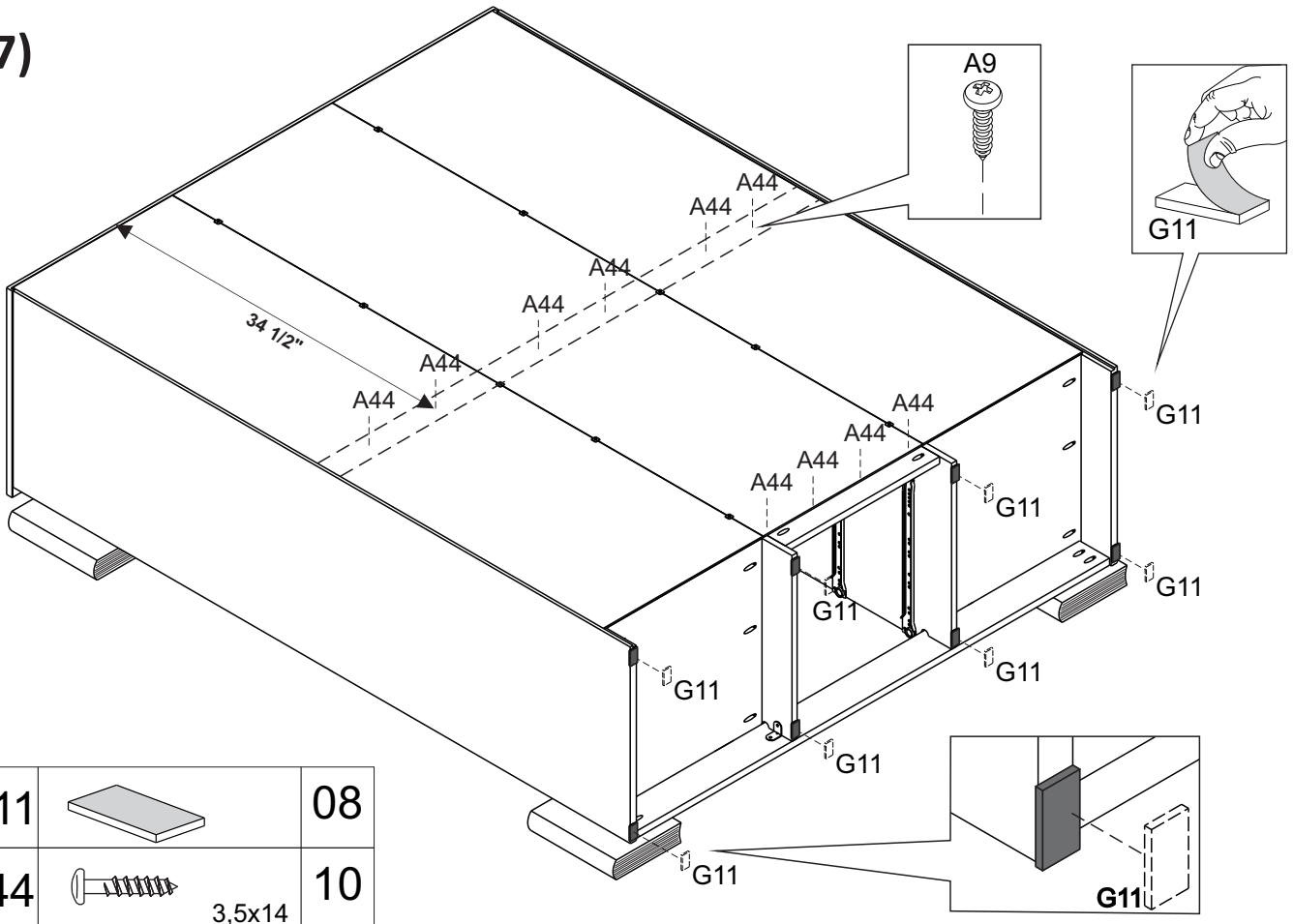
A44		3,5x14	04
D16			02
A16		4,0x40	12

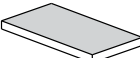

06)



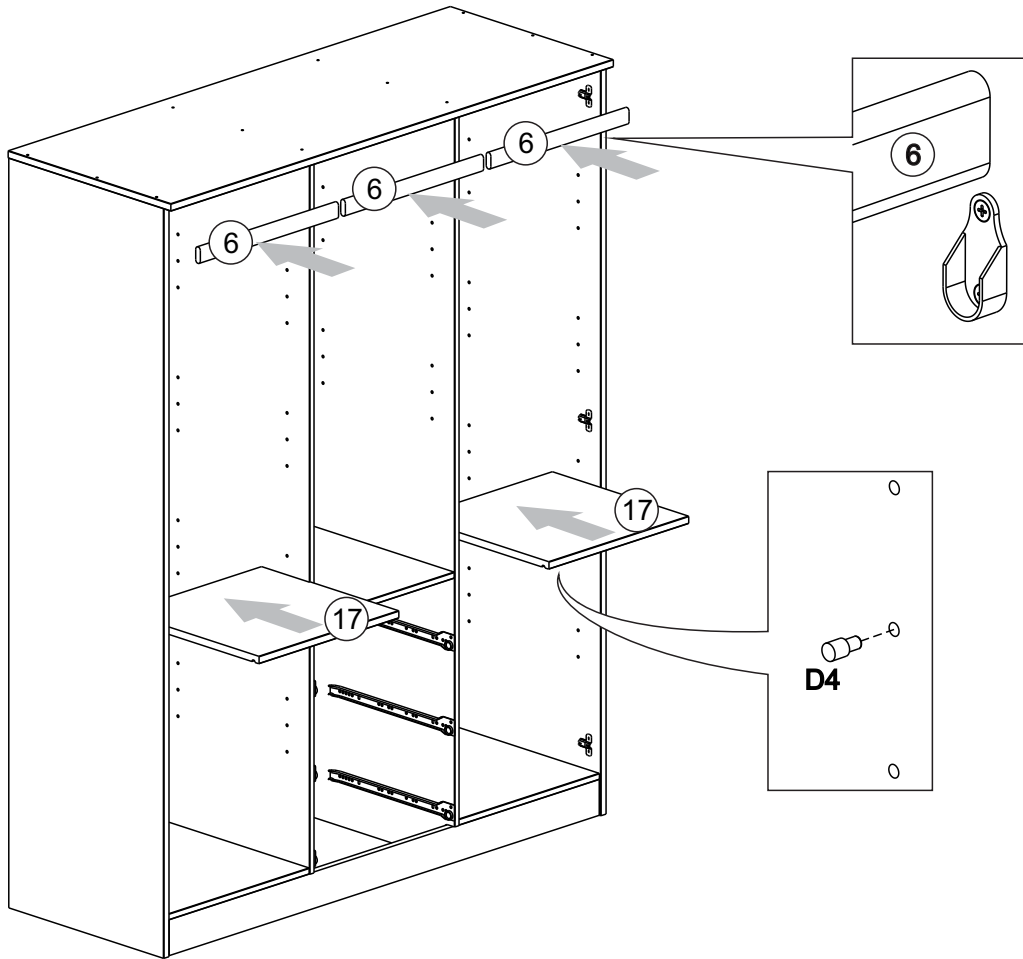
D27		10
G1	 10x10mm	50

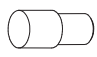
07)



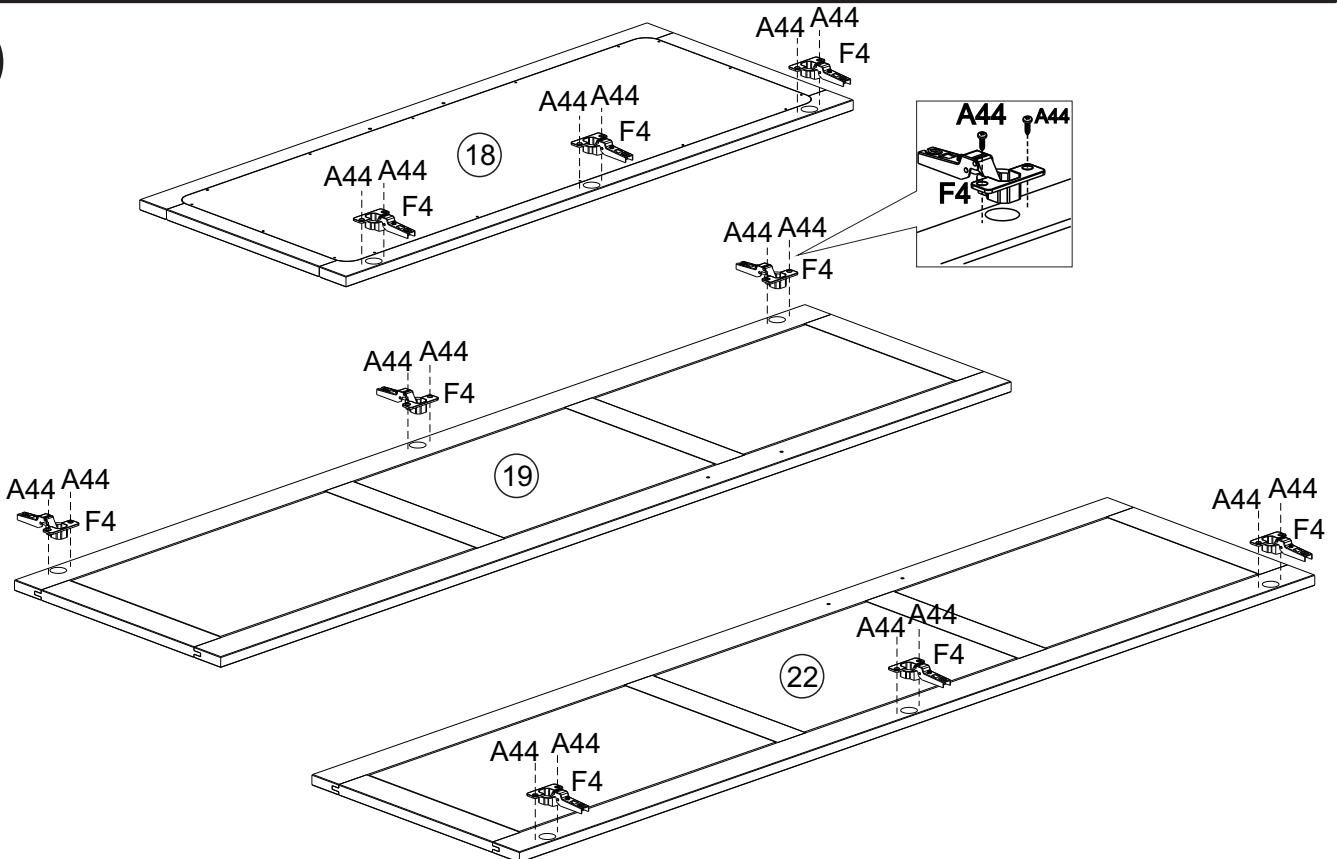
G11		08
A44	 3,5x14	10

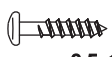

08)



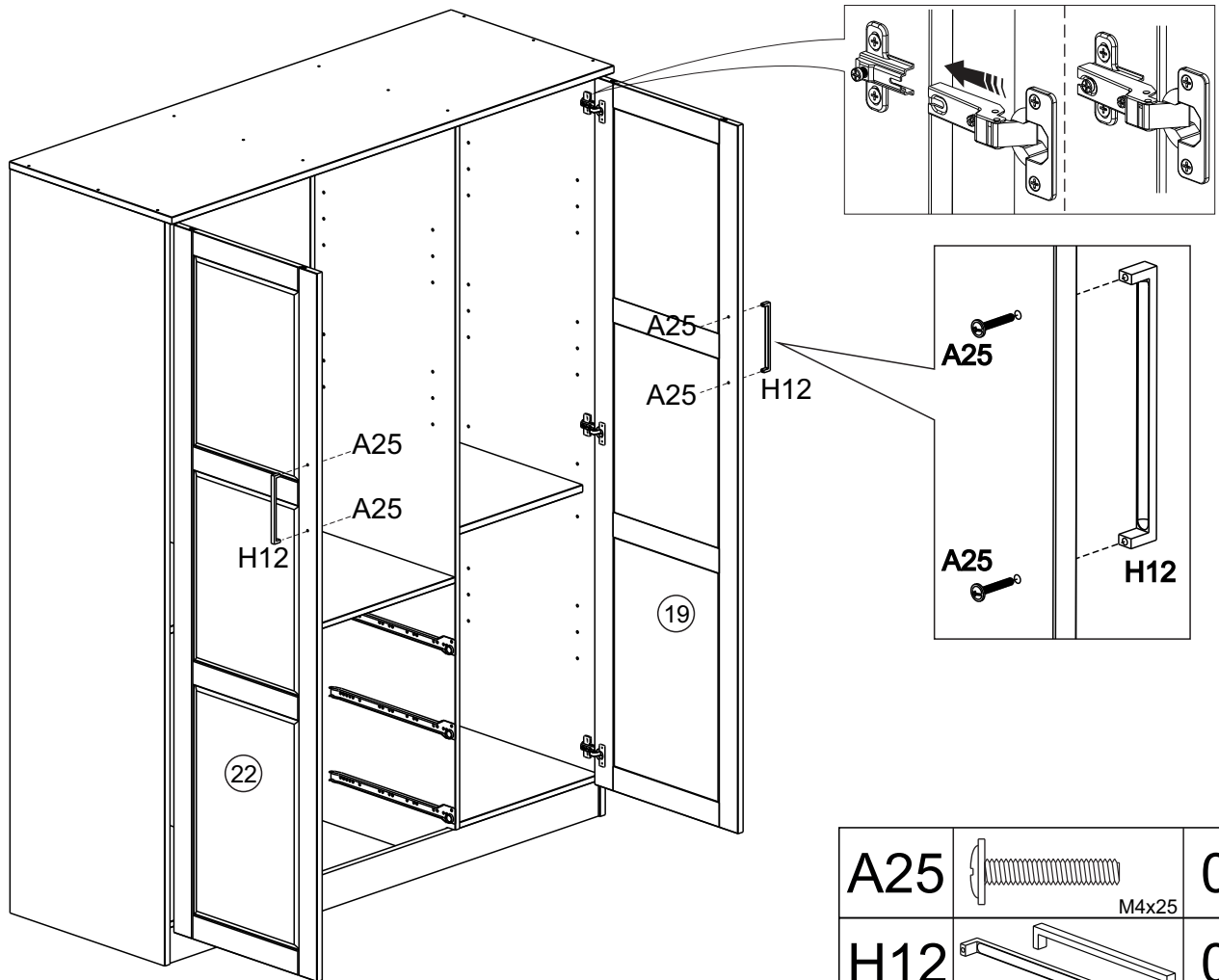
D4		08
----	---	----

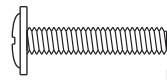
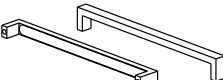
09)



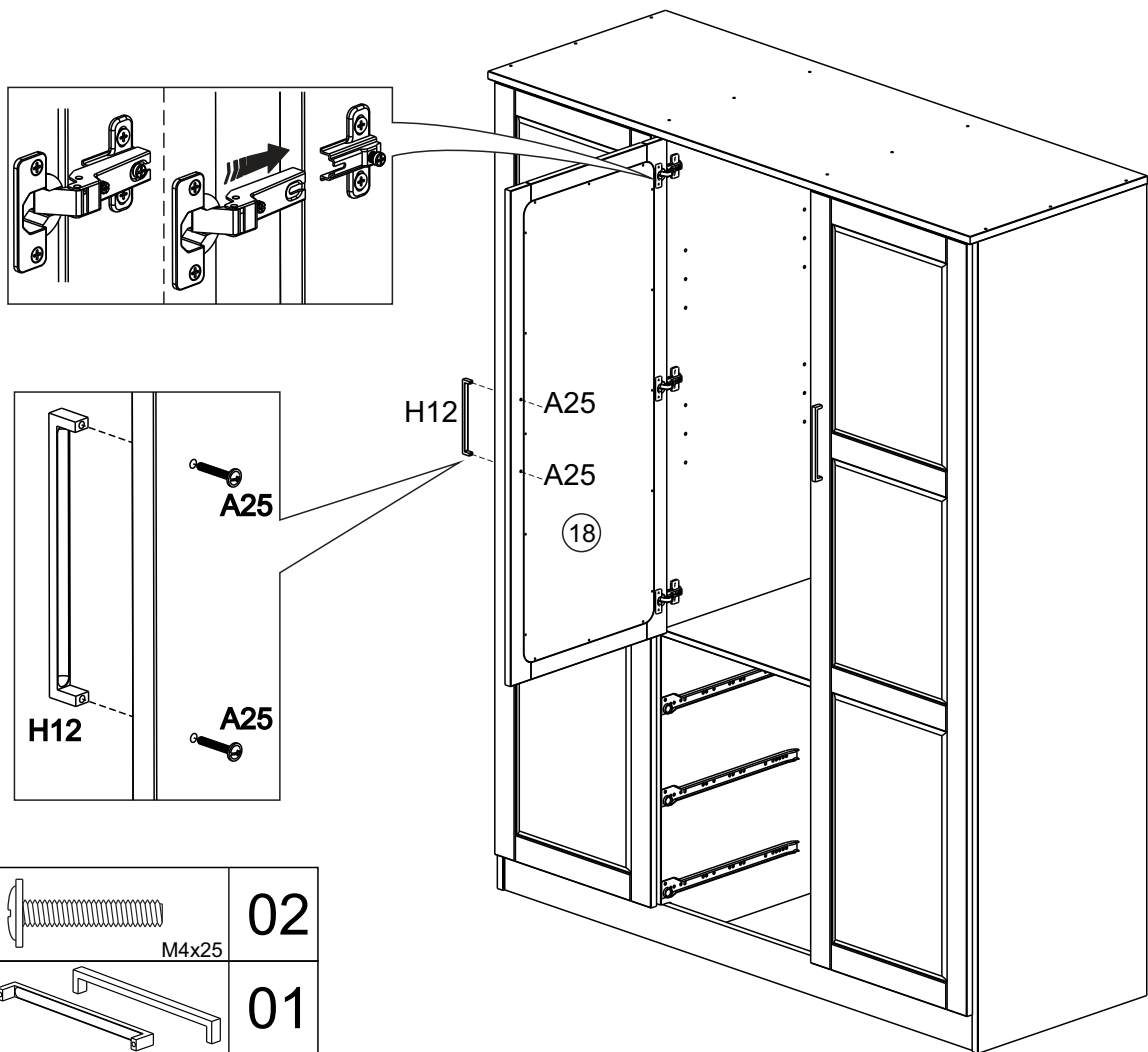
A44	 3,5x14	18	F4		09
-----	---	----	----	---	----


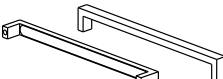
10)



A25	 M4x25	04
H12		02

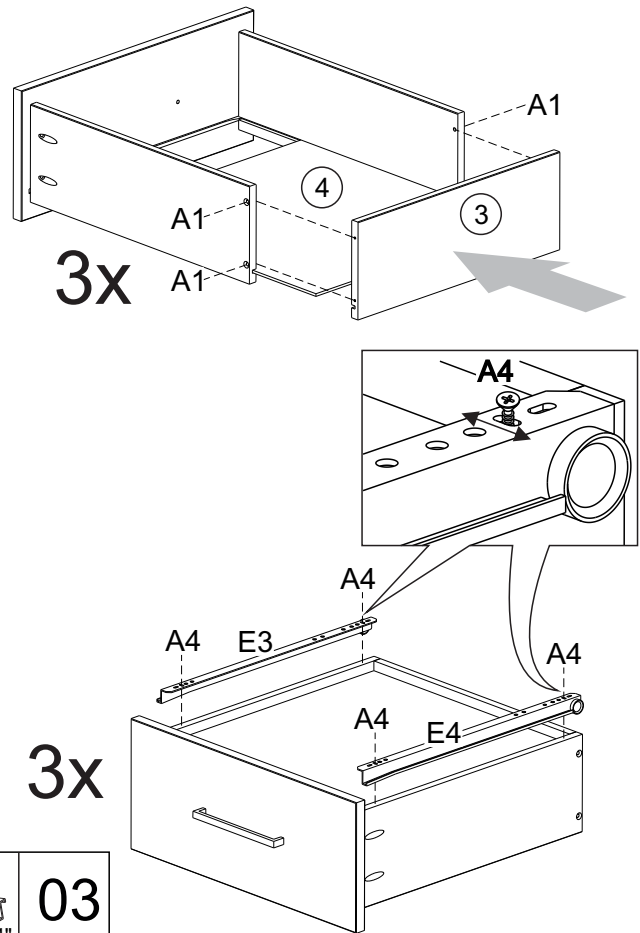
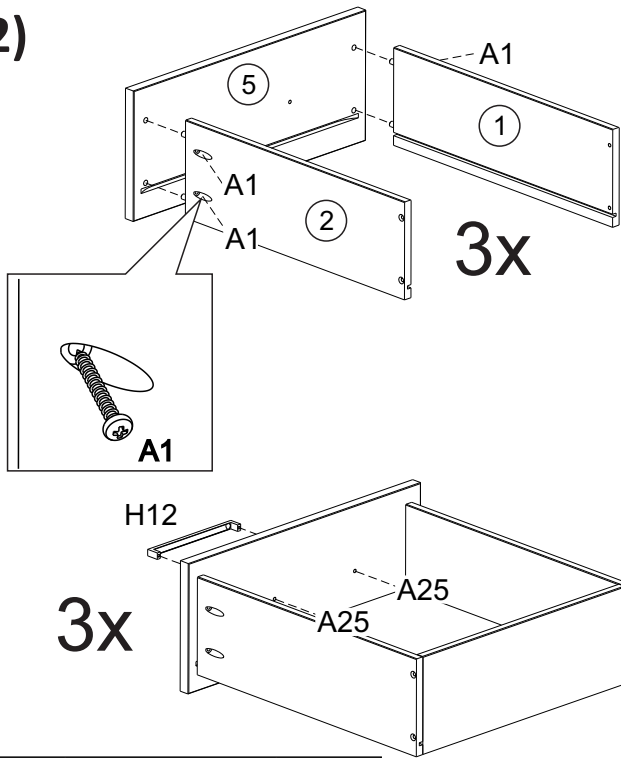
11)



A25	 M4x25	02
H12		01



12)

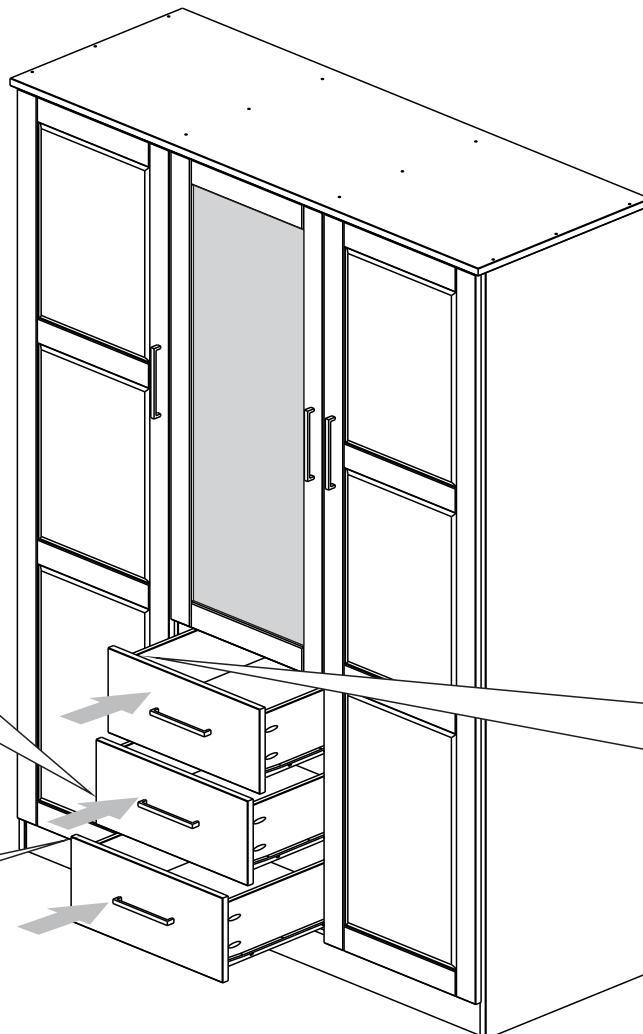
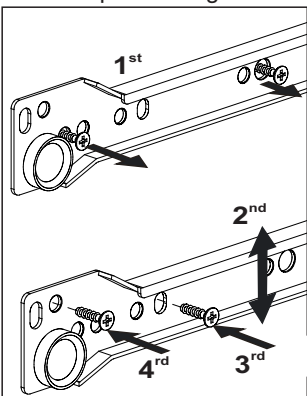


A1		24					
A4		12	E3		03		
A25		06	E4		03	H12	
							03

13)

J1		01
----	--	----

Metal glides can be adjusted as shown below Steps 1 through 4



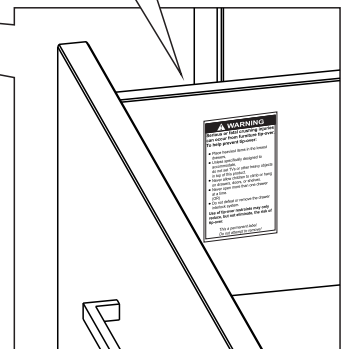
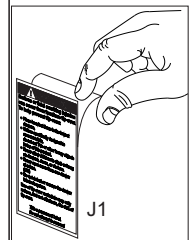
Place the warning label in upper drawer of the wardrobe as shown.

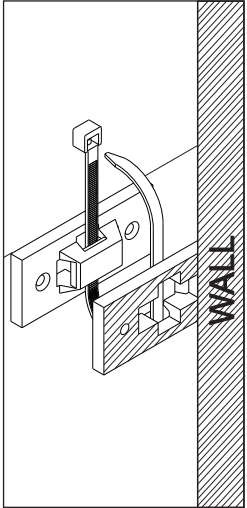
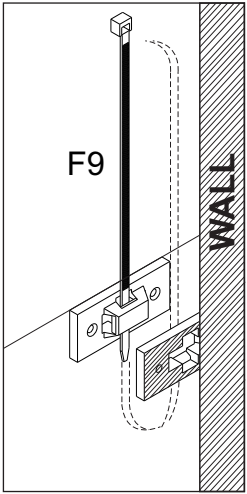
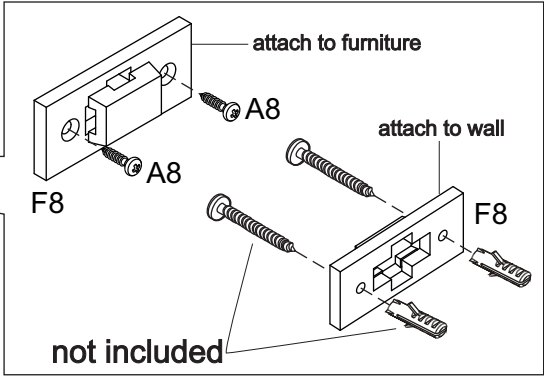
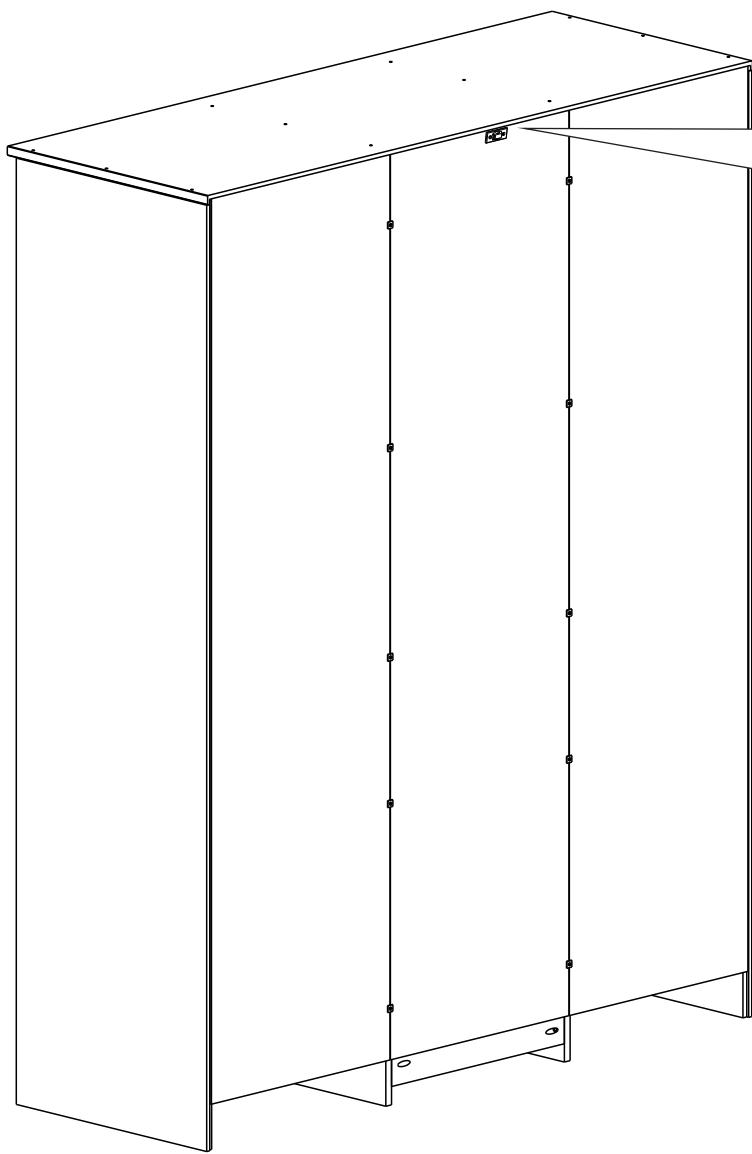
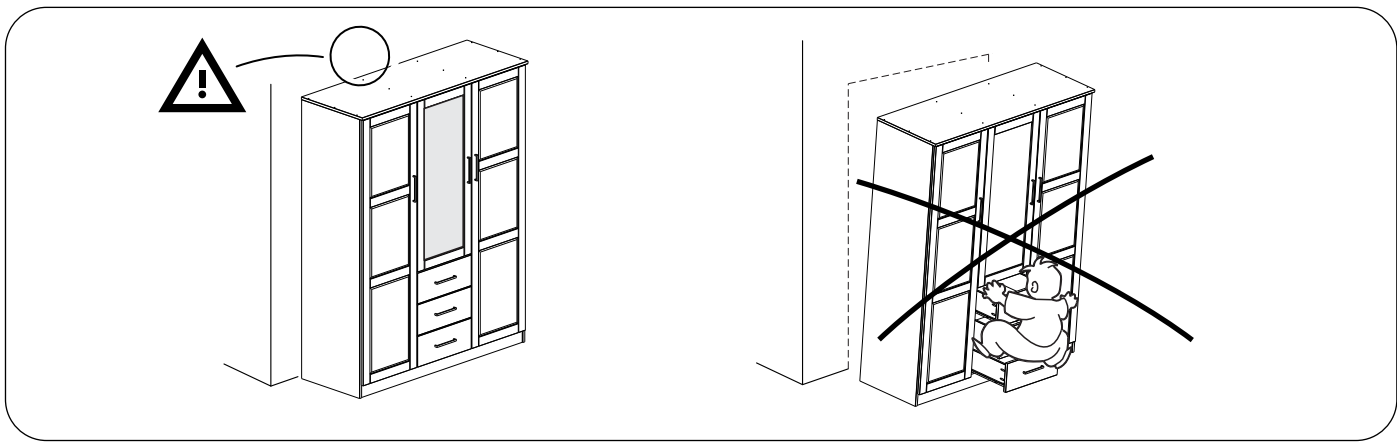
**WARNING**  
 Serious or fatal crushing injuries can occur from furniture tip-over. To help prevent tip-over:


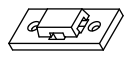

- Place heaviest items in the lowest drawers.
- Unless specifically designed to accommodate, do not set TVs or other heavy objects in top of this product.
- Never allow children to climb or hang on drawers, doors, or shelves.
- Never open more than one drawer at a time.
- Do not defeat or remove the drawer interlock system.

Use of tip-over restraints may only reduce, but not eliminate, the risk of tip-over.

*This is a permanent label. Do not attempt to remove!*





A8	 3,0x20	02
F8		02
F9		01