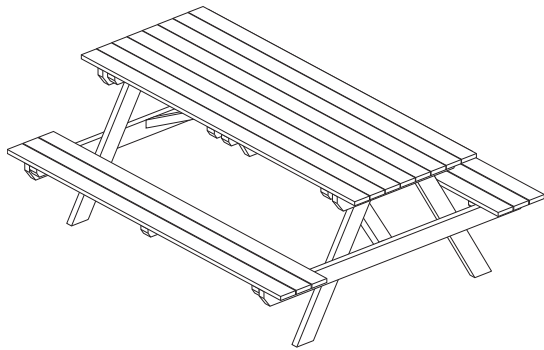


# 5ft Picnic Bench

# English

## Assembly Instructions



**Biocidal Products Regulation EU**  
 Wolmanit® CX treated wood is a treated article that incorporates biocidal products: copper hydroxide carbonate/II/ and boric acid. They protect wood against fungal decay /rot/ and insect attack. Keep away from food, drink and animal feeding stuffs. Avoid breathing dust when cutting treated wood.

### Before assembly

- We recommend that time is taken to read the instructions before starting assembly, then follow the easy step by step guide. The instruction sheet is only a guide to the assembly. Certain items may not be shown to scale.
- Check all components prior to assembly
- Drill all components where indicated.
- This product should be assembled by no less than two people.
- Never attempt to erect the assembly in high winds.

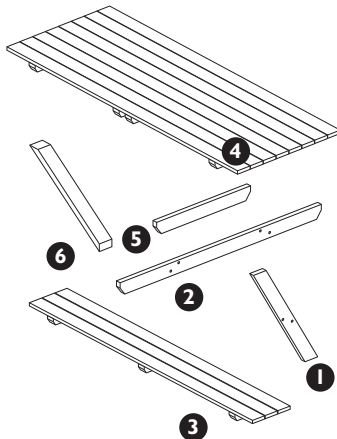


### Recommended tools for assembly

- Cross head screw driver
- Drill with 3mm diameter drill bit
- 13mm spanner

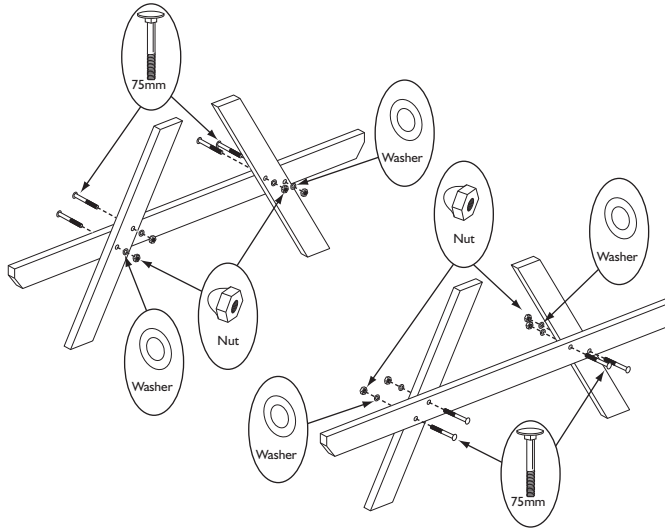
No.	Components	Qty.
1	Leg	4
2	Seat support	2
3	Seat	2
4	Table top	1
5	Table support	2
6	Brace	2

No.	Fixing Kit	Qty.
7	75mm bolt	8
8	Washers	8
9	Dome nuts	8
10	60mm screws	26



### 1. Leg to seat support

Bolt the legs as shown to the seat supports using 2 x 75mm bolts nuts and washers per leg. Push the bolts through the pre-drilled holes, on the thread end place a washer and then add the nut and tighten.

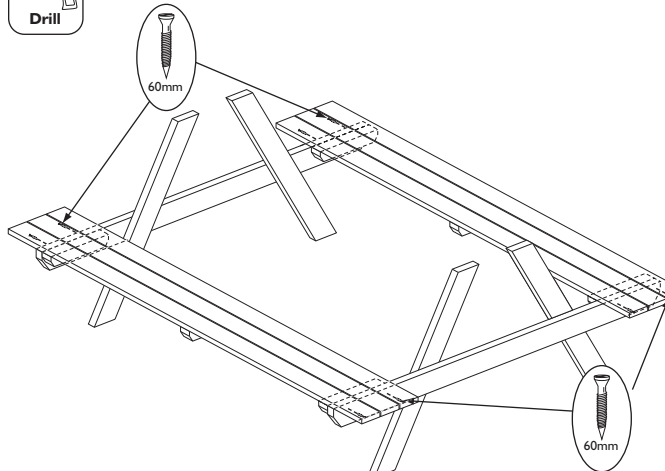


### 2. Seats

Position the seats on top of the seat supports as shown. Have the seat framing on the inside of the supports and the seats flush to the ends of the supports. Secure the seats in place using 2 x 60mm screws at each seat end, screw through the seat support into the frame of the seat.

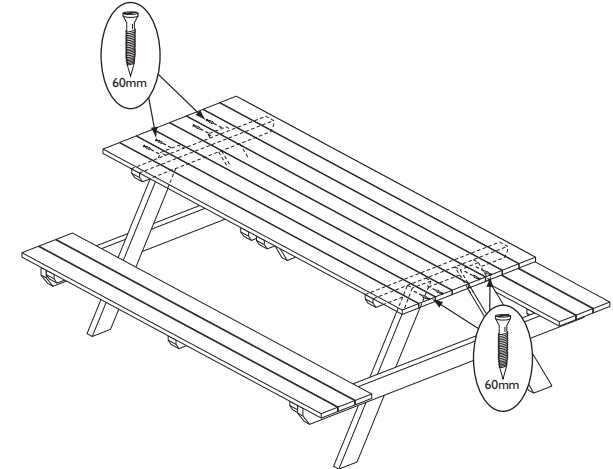


Drill pilot holes in the seat frames for each screw using a 3mm drill bit.



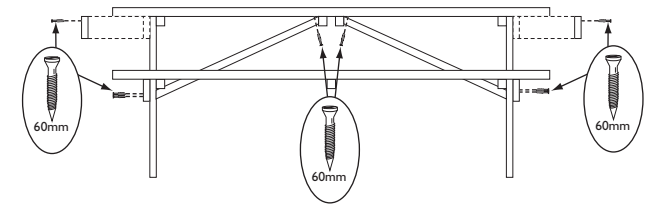
### 3. Table

Position the table on the top of the legs centrally with the table framing on the inside of the legs. secure in place using 2 x 60mm screws per leg. Screw through the leg into the table frame.



### 4. Table supports and braces.

Secure the table supports to the legs just under the table top as shown using 2 x 60mm screw per support. Position each brace under the centre of the table as shown and secure through the seat support into the end of the brace using 2 x 60mm screws. Then screw 1 x 60mm screw through other end of the brace into the underside of the table.



**IMPORTANT: RETAIN FOR FUTURE REFERENCE  
 READ CAREFULLY**

Periodically check all fastenings for tightness  
 For contract and domestic use

We constantly improve the quality of our products, occasionally the components may differ from the components shown and are only correct at time of printing. We reserve the right to change the specification of our products without prior notice.