

M6x60mm

A*4

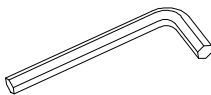


B*9



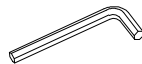
M6x15mm

C*5



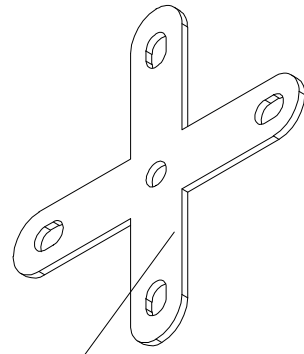
5mm

D*1



4mm

E*1



100x100x2mm

F* (1)

