

ASSEMBLY INSTRUCTIONS 4'6 LOW END BED

IMPORTANT: READ THESE INSTRUCTIONS CAREFULLY BEFORE ASSEMBLING OR USING YOUR 4'6 LOW END BED FRAME.

PLEASE KEEP THESE INSTRUCTIONS FOR FUTURE REFERENCE.

HEALTH & SAFETY:

DO NOT jump on this bed frame.

DO NOT use this bed frame if any parts are missing, damaged or worn.

DO NOT use this bed frame unless all fixings are secured.

Please keep small parts out of reach of children.

Always use on a level, even surface.

WARNING: If this bed is placed on a non-carpeted floor you must place some protection under all legs to stop the bed frame from moving. If this is not adhered to there is no guarantee if the bed frame collapses.

CARE & MAINTENANCE:

Assemble in the room of use.

Periodically check all screws & fixings to ensure they are secure.

DO NOT push the bed frame as this will damage the legs.

Always lift the bed with two people to reposition.

Keep any sharp objects away from the frame.

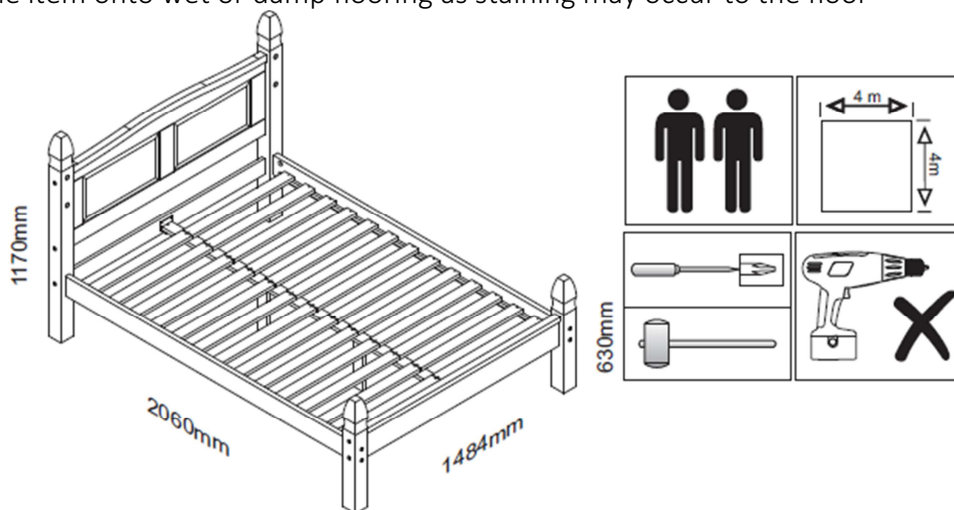
This product is manufactured in pine which has natural characteristics including knots, grains, clusters or indentations.

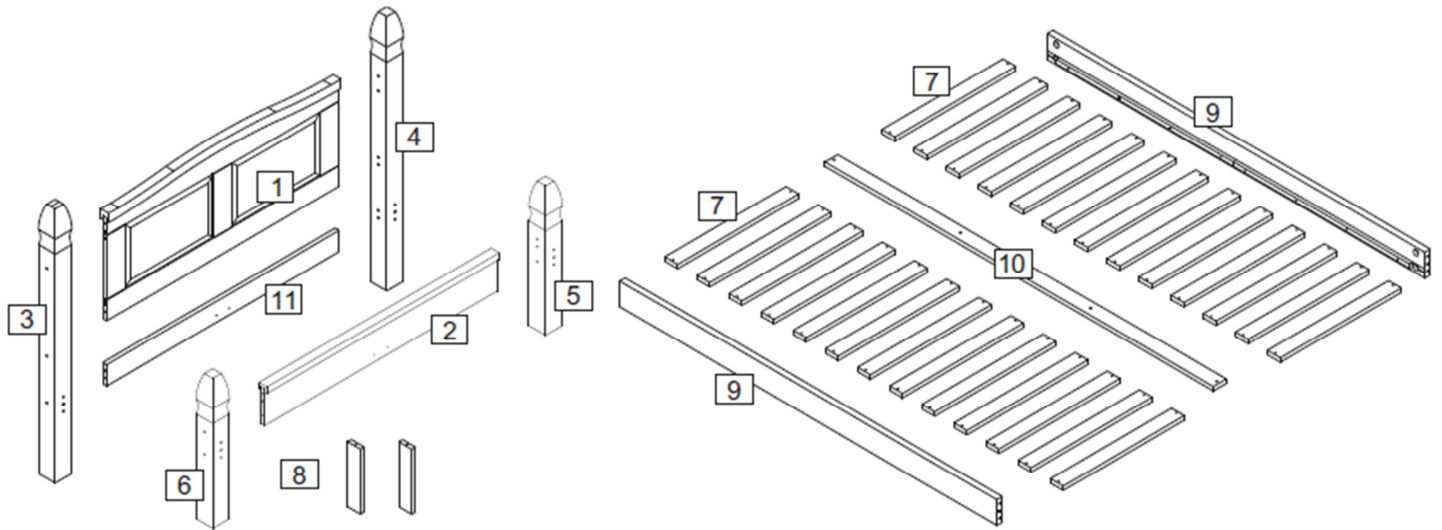
On unpacking you may notice an odour due to production processes. This will disappear after a period of time.

DO NOT place the item next to a radiator or direct sunlight – this item is manufactured in pine but is susceptible to temperature change. It is recommended an even room temperature be maintained with no sudden fluctuations.

For general cleaning use a duster or damp cloth (almost dry) not wet – do not use soap and water, detergents, aerosol sprays or any polish as use of these materials would invalidate any claims.

To retreat the surface use block wax (un-perfumed). Please follow the manufacturer's instructions carefully DO NOT place the item onto wet or damp flooring as staining may occur to the floor

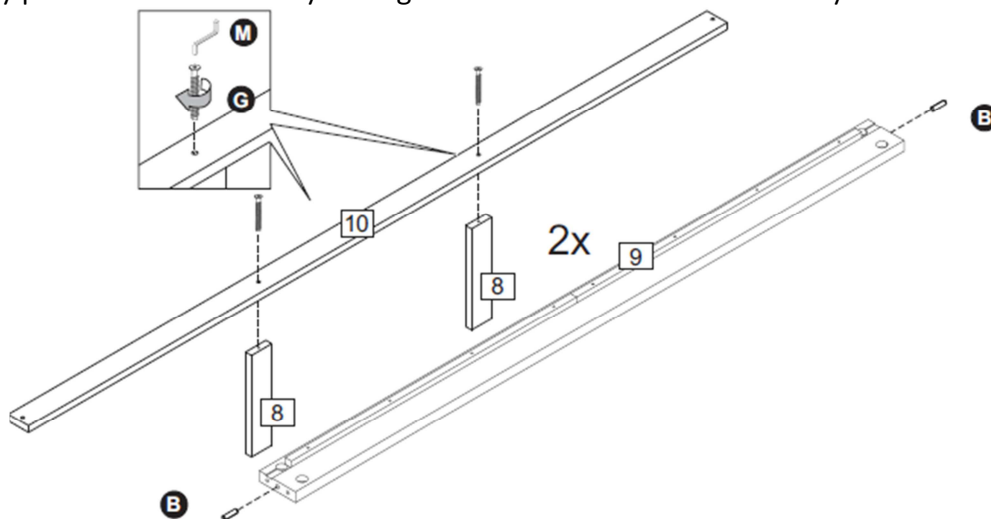




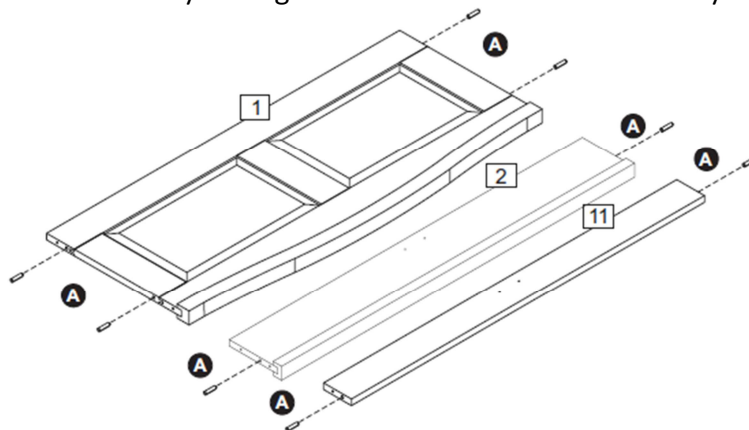
Parts List				Hardware List (found in box 2)			
Part	Description	Box	Qty	Part	Description		Qty
1	Headend Panel	1	1	A	30 mm Wooden Dowel		8
2	Footend Panel	1	1	B	40 mm Wooden Dowel		4
3	Left Headend Post	2	1	C	16 mm Screw		8
4	Right Headend Post	2	1	D	35 mm Screw		52
5	Right Footend Post	2	1	E	32 mm Bolt		2
6	Left Footend Post	2	1	F	Nut		2
7	Slat	3	26	G	50 mm Bolt		2
8	Support Leg	3	2	H	130 mm Bolt		10
9	Side Rail	3	2	J	130 mm Bolt		8
10	Centre Rail	3	1	K	Elliptical Nut		8
11	Headend Rail	3	1	L	Metal Bracket		2
** You will need a small mallet and a screwdriver				M	Allen Key		1
				N	Spacer		2
				P	Stud		4

Step 1: Attach the support legs (8) to the centre rail (10) using hardware parts G and M. Insert hardware part B using a small mallet (not provided).

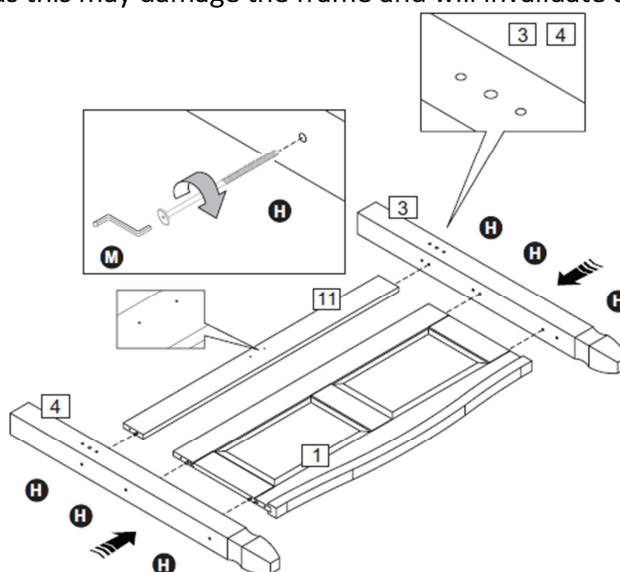
DO NOT use any power tools as this may damage the frame and will invalidate any claim.



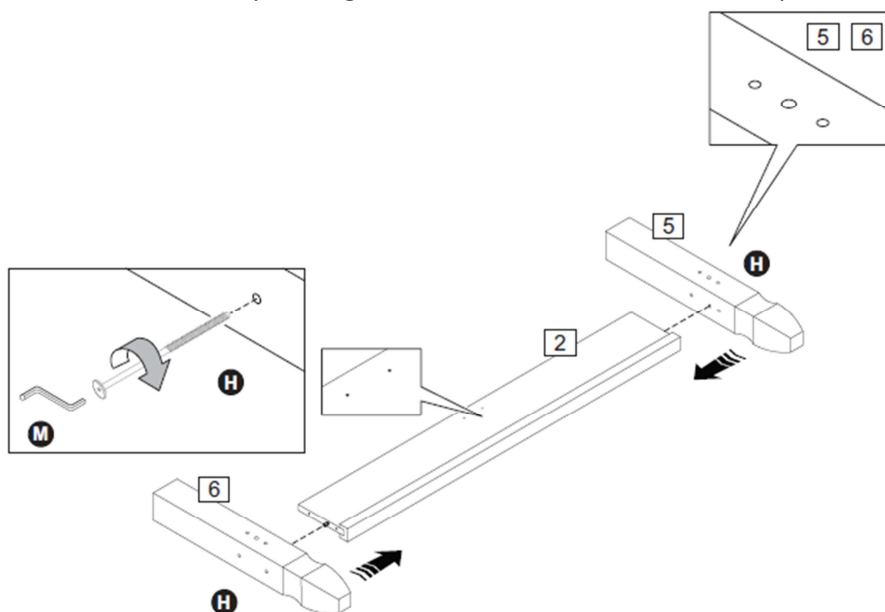
Step 2: Insert hardware part A using a small mallet (not provided).
DO NOT use any power tools as this may damage the frame and will invalidate any claim.



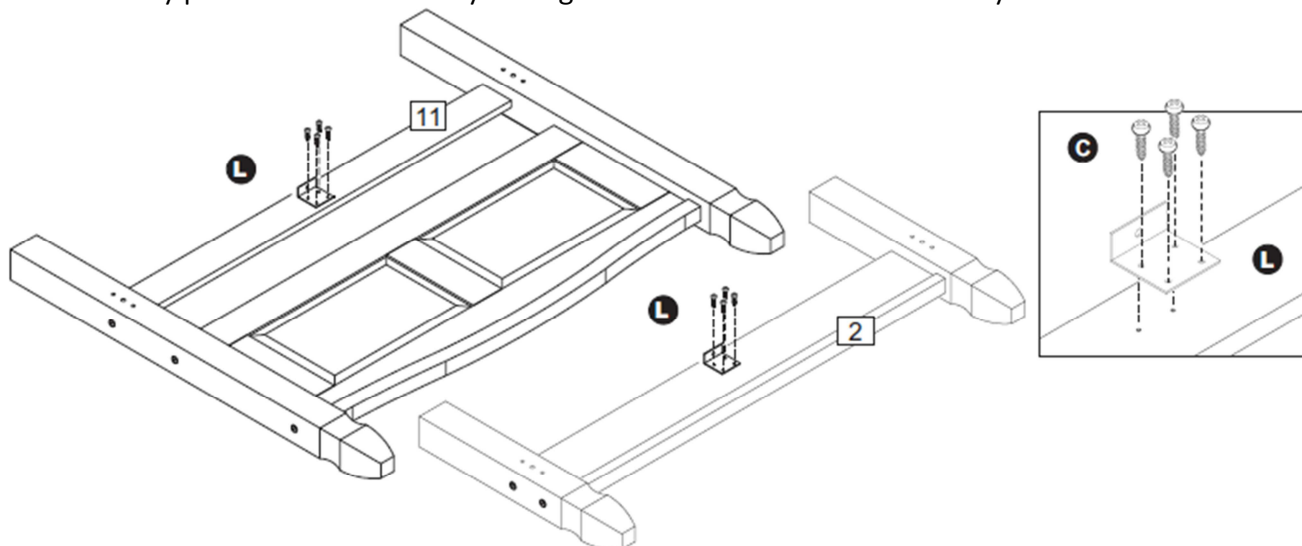
Step 3: Attach the left headend post (3) and right headend post (4) to the headend panel (1) and headend rail (11) using hardware parts H and M.
DO NOT use any power tools as this may damage the frame and will invalidate any claim.



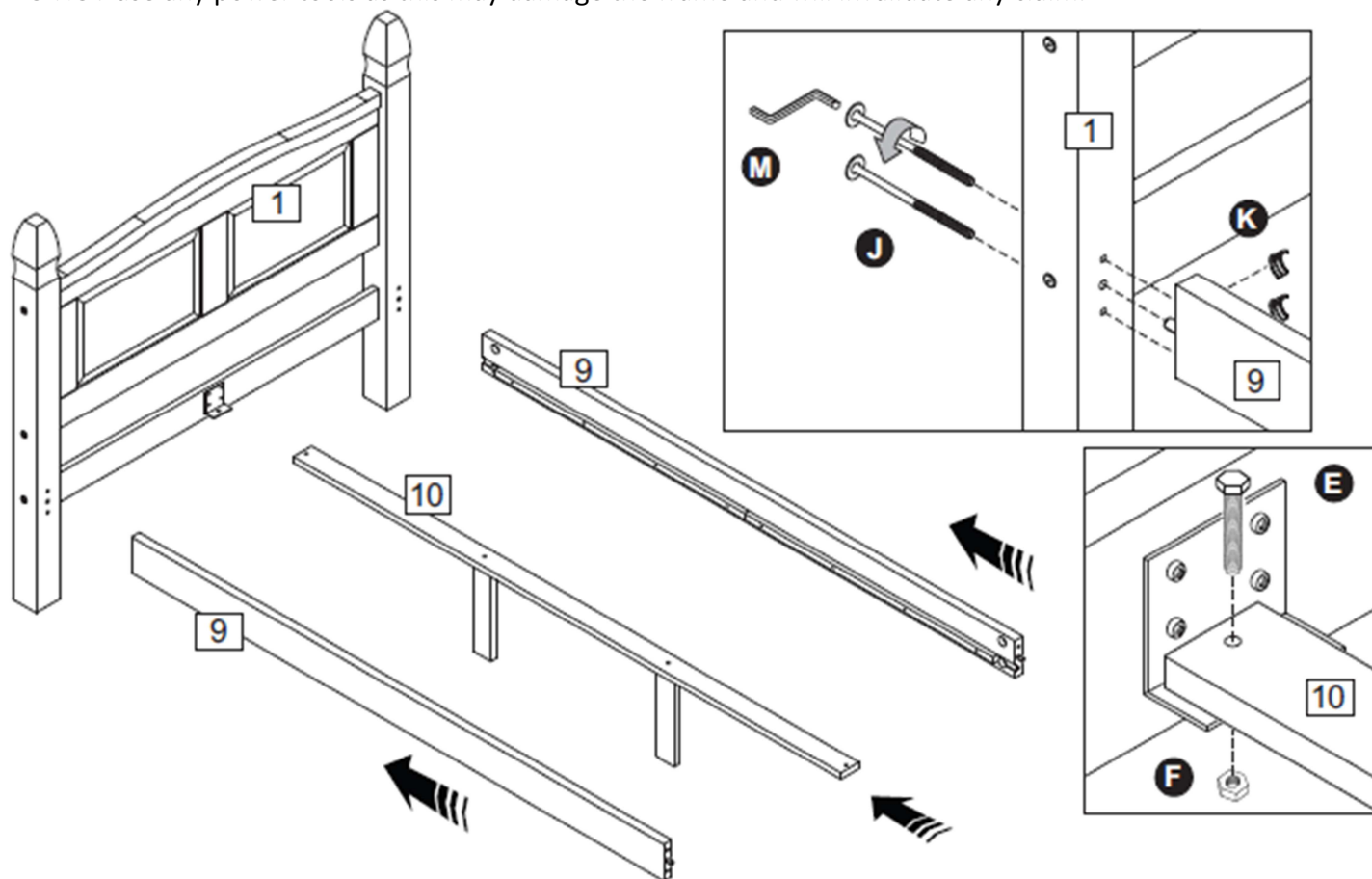
Step 4: Attach the left footend post (6) and right footend post (5) to the footend panel (2) using hardware parts H and M.
DO NOT use any power tools as this may damage the frame and will invalidate any claim.



Step 5: Secure hardware part L using hardware part C and a screwdriver (not provided).
DO NOT use any power tools as this may damage the frame and will invalidate any claim.

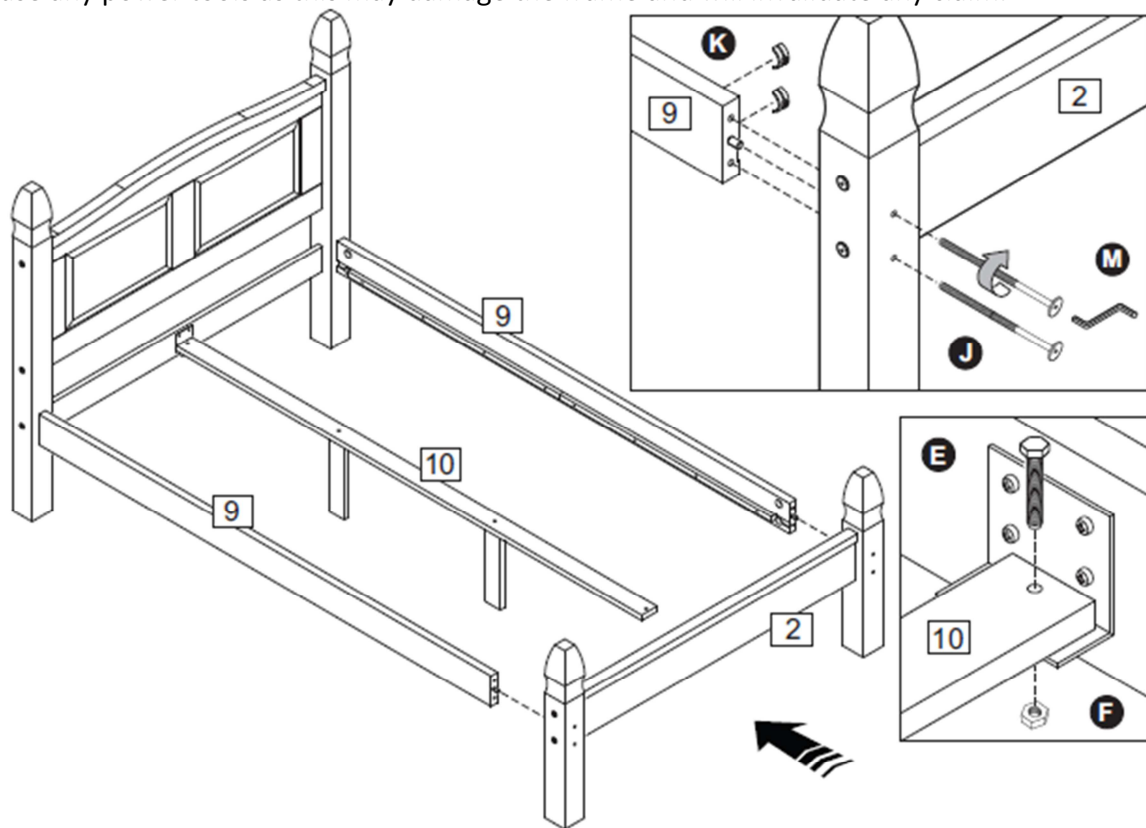


Step 6: Attach the side rails (9) using hardware parts J, K and M. Secure the centre rail (10) using hardware parts E and F.
DO NOT use any power tools as this may damage the frame and will invalidate any claim.



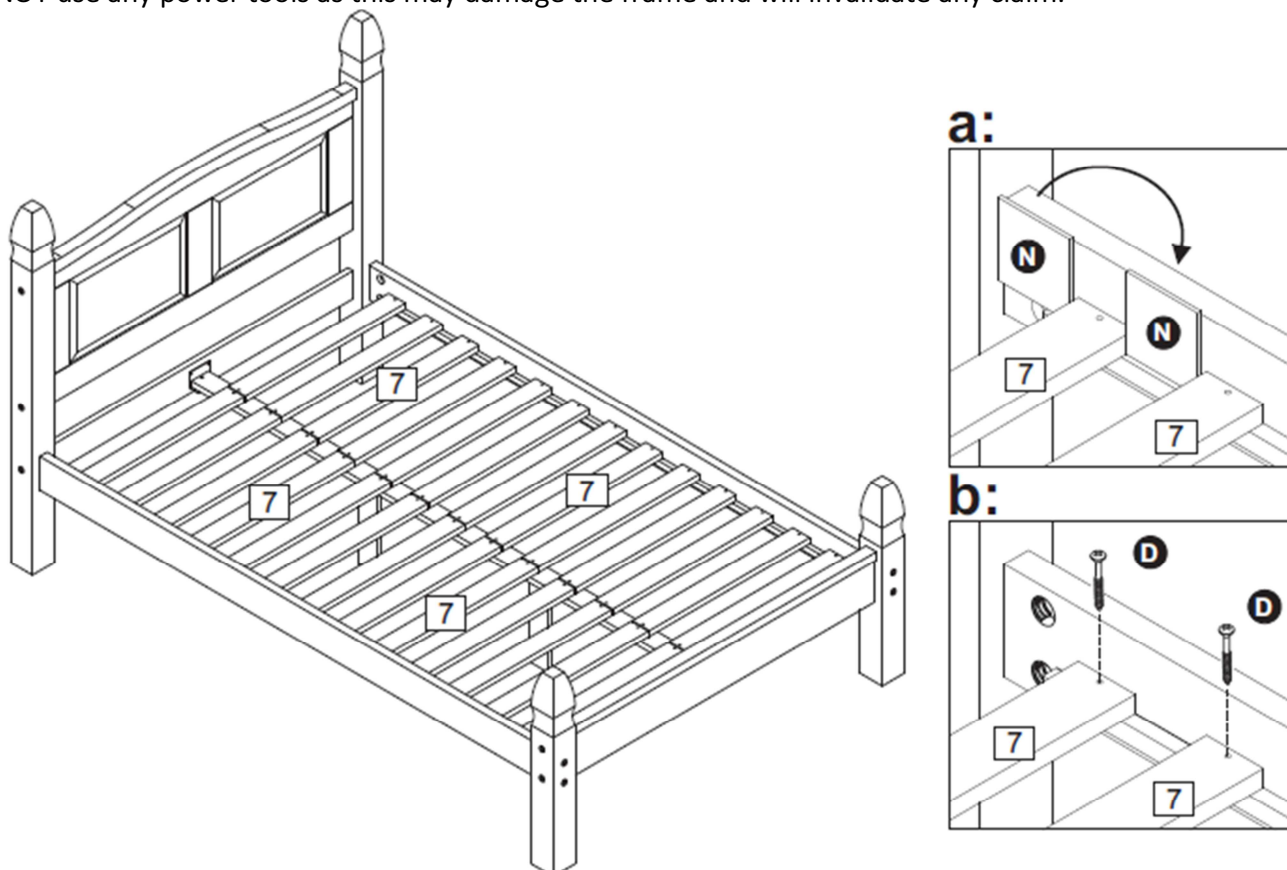
Step 7: Join the two sections together using hardware parts J, K and M. Secure the centre rail (10) using hardware parts E and F.

DO NOT use any power tools as this may damage the frame and will invalidate any claim.

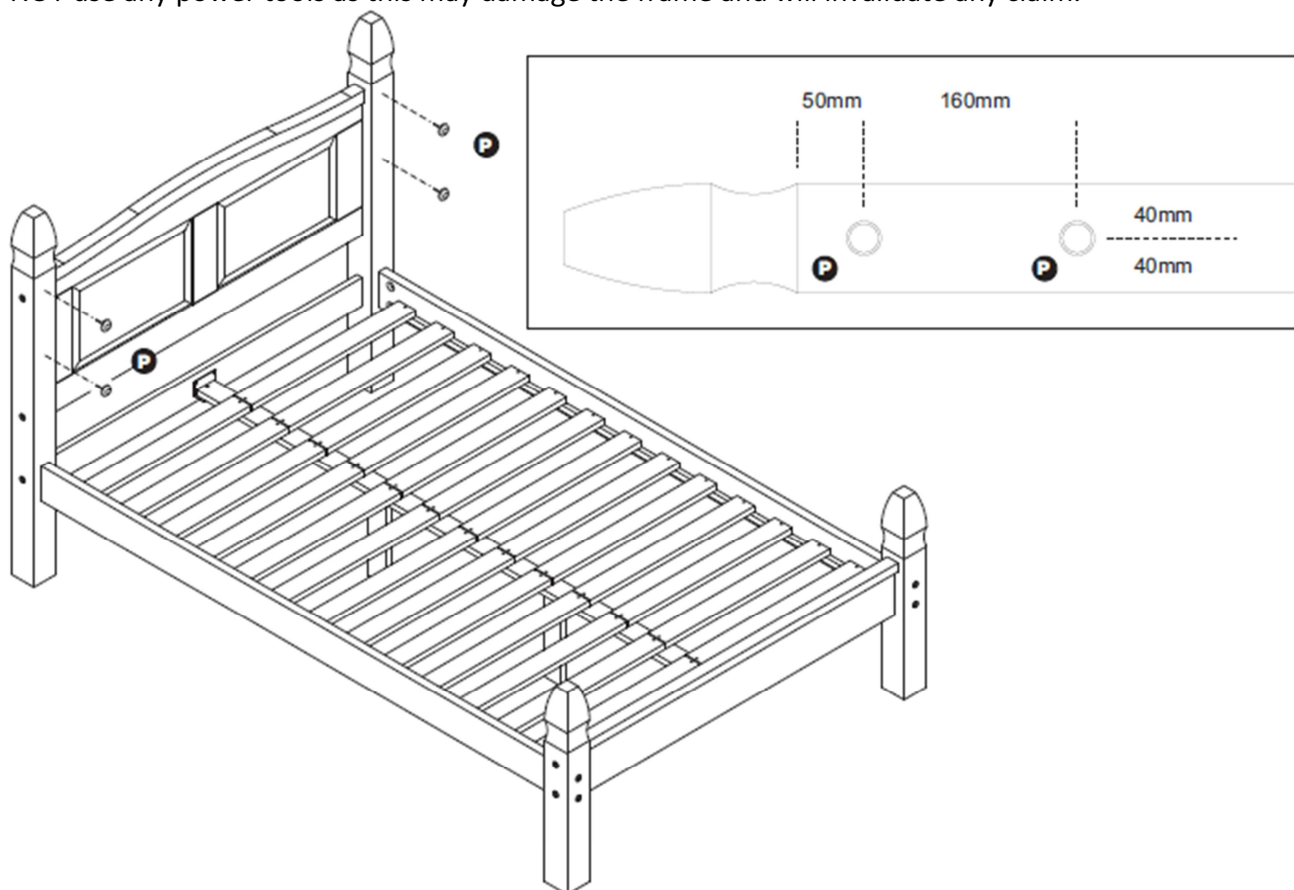


Step 8: Secure the slats (7) using hardware parts D and N with a screwdriver (not provided). Make sure to start at the ends and work towards the middle.

DO NOT use any power tools as this may damage the frame and will invalidate any claim.



Step 9: Insert hardware part P using a small mallet (not provided).
DO NOT use any power tools as this may damage the frame and will invalidate any claim.



Note: When everything has been assembled, tighten all bolts and attach the wooden buttons to the holes on the bed posts

Additional Information: