

ASSEMBLY INSTRUCTIONS

LOW BOOKCASE

IMPORTANT: READ THESE INSTRUCTIONS CAREFULLY BEFORE ASSEMBLING OR USING YOUR LOW BOOKCASE.

PLEASE KEEP THESE INSTRUCTIONS FOR FUTURE REFERENCE.

ASSEMBLY INSTRUCTIONS:

Please check contents and read instructions carefully before commencing assembly.

To avoid damages assemble the item on a soft, clean surface.

Assemble in the room of use.

HEALTH & SAFETY:

DO NOT use this item if any parts are missing, damaged or worn.

DO NOT use this item unless all fixings are secured.

Always use on a level, even surface.

It is recommended that two people handle and assemble the item.

Keep small parts out of the reach of children.

CARE & MAINTENANCE:

This product is manufactured in pine which is a wood with natural characteristics including knots, grains, clusters or indentations.

On unpacking the item you may notice an odour due to the production process, however, this will disappear after a period of time.

DO NOT place the item next to a radiator or direct sunlight as this item is susceptible to temperature change. It is recommended to maintain an even room temperature with no sudden fluctuations.

For general cleaning use a duster or damp cloth (almost dry) not wet – do not use soap and water, detergents, aerosol sprays or any polish as the use of these materials would invalidate any claims.

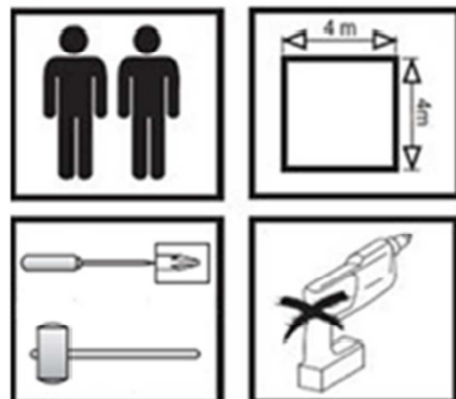
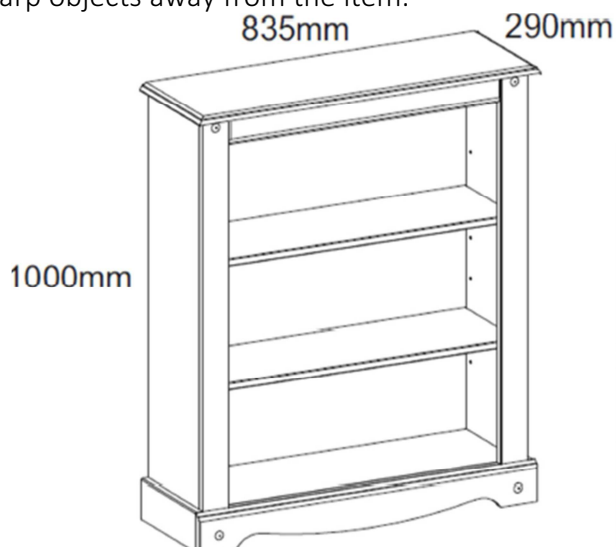
You may wish to re-treat the surface to maintain the original finish. This can be done using block wax (unperfumed). Please follow the manufacturer's instructions carefully.

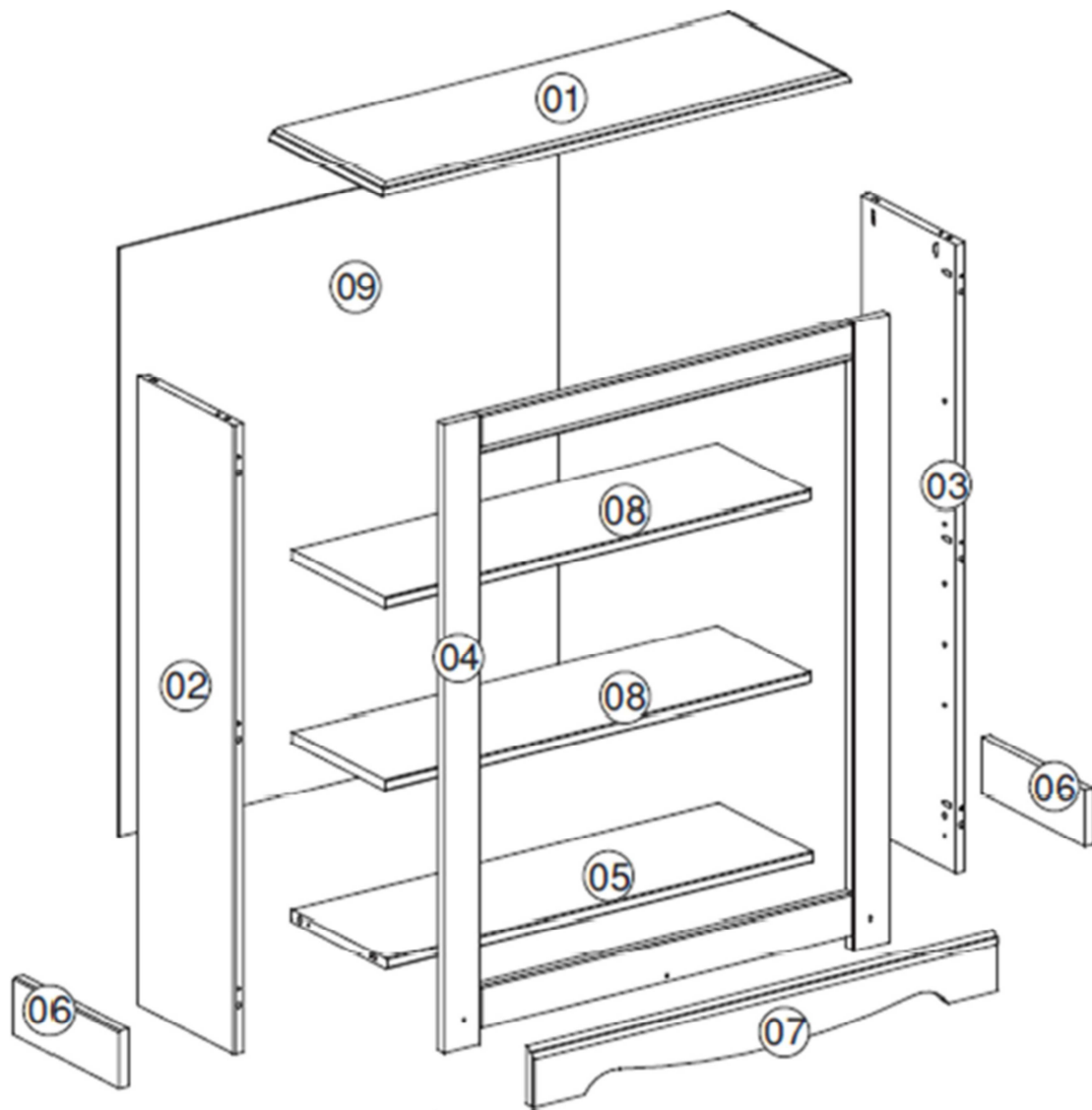
DO NOT place the item onto wet or damp flooring as staining may occur to the floor.










Periodically check all screws & fixings to ensure they are secure.

DO NOT push the item as this will damage the base.

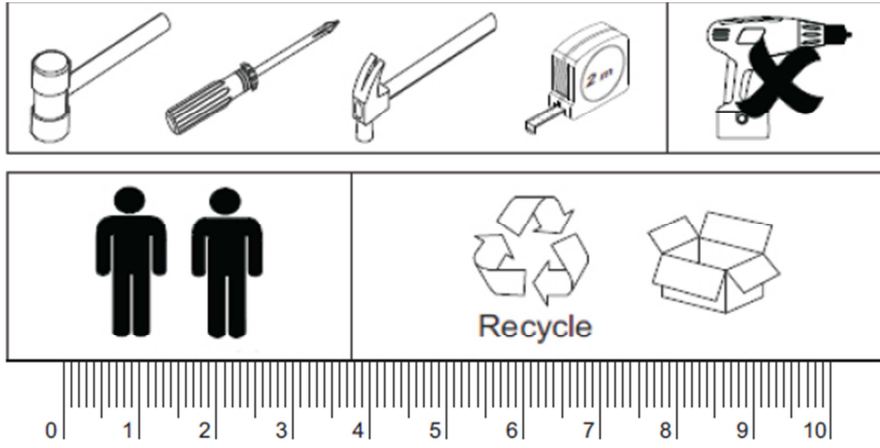
Keep any sharp objects away from the item.



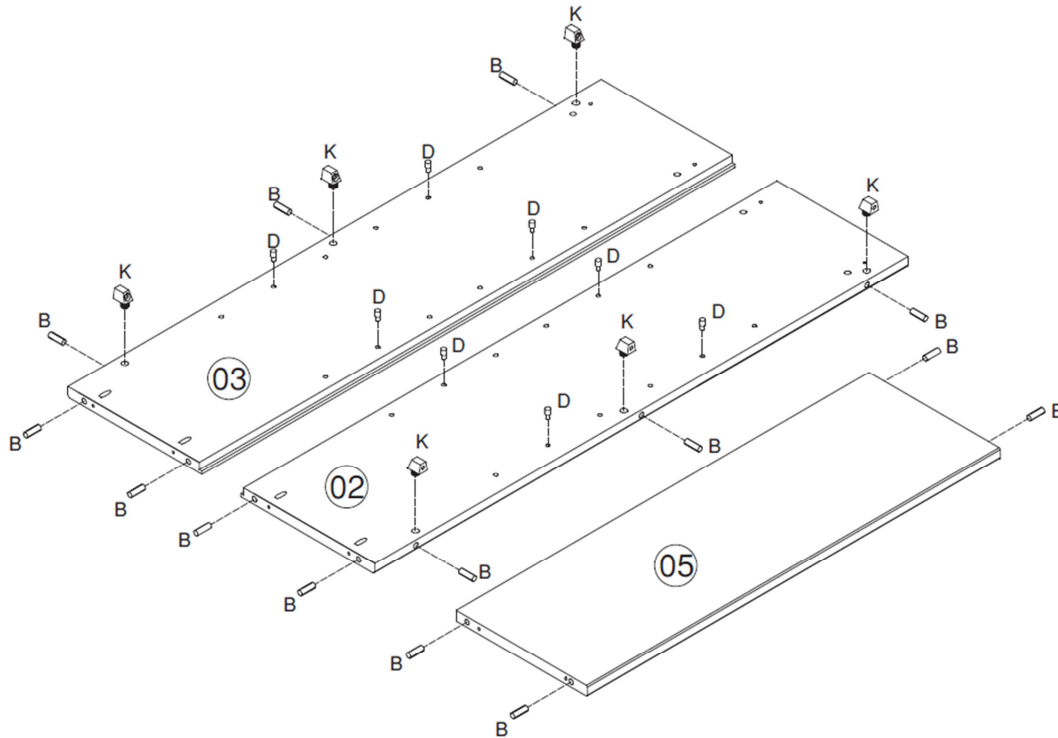


Parts List			Hardware List		
Part	Description	Qty	Part	Description	Qty
1	Top Panel	1	A	3.5 x 35 mm Screw 	8
2	Left Panel	1	B	8 x 25 mm Wooden Dowel 	14
3	Right Panel	1	C	10 x 10 mm Tack 	22
4	Front Frame	1	D	Shelf Support 	8
5	Base Panel	1	E	3.5 x 30 mm Screw 	13
6	Side Plinth	2	F	3.5 x 14 mm Screw 	2
7	Front Plinth	1	G	Bracket 	1
8	Shelf	2	H	Stud 	4
9	Back Panel	1	K	Support 	6

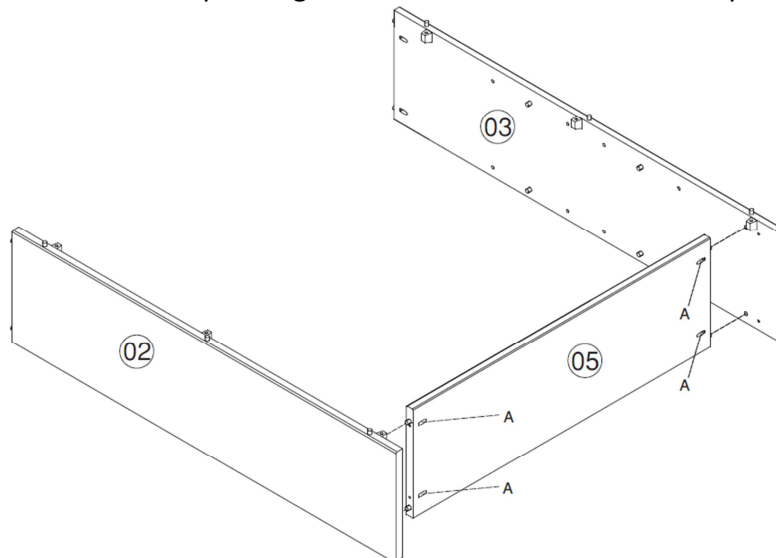
** You will need a small mallet and a screwdriver.



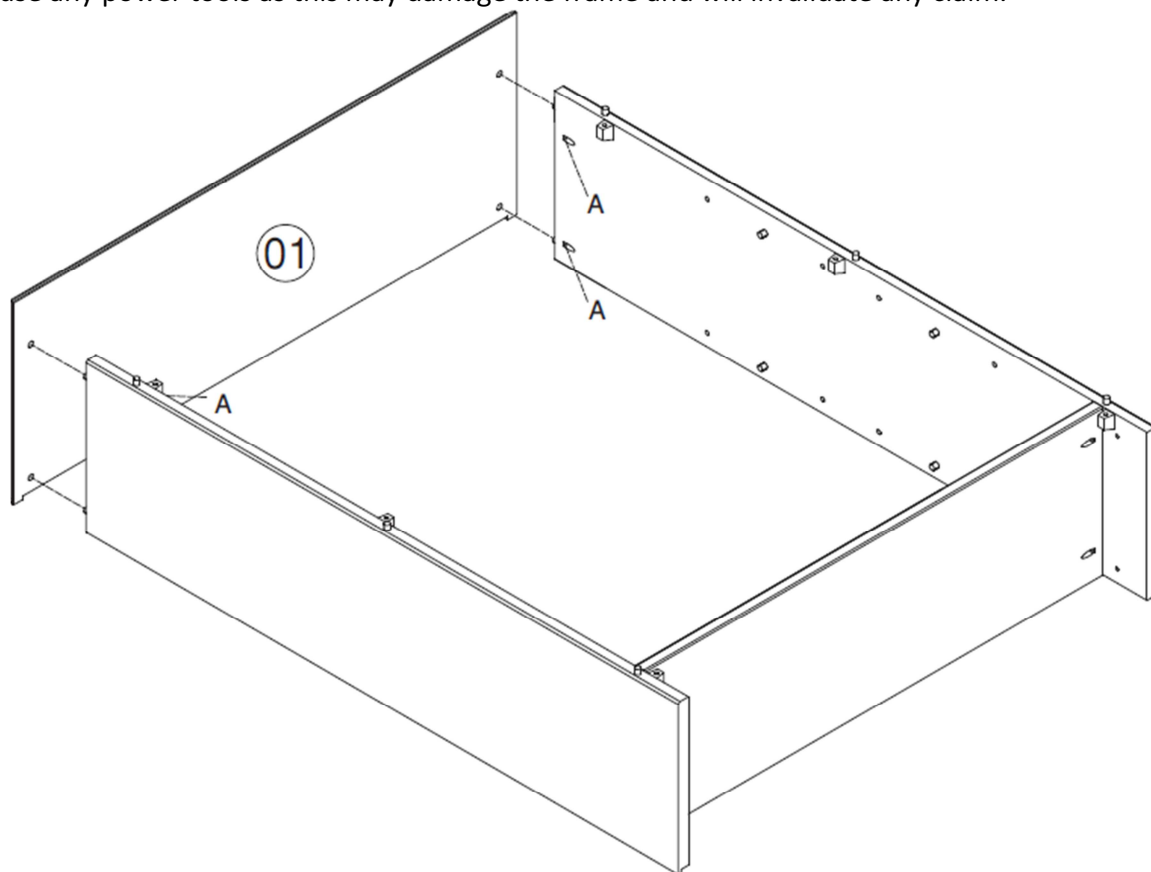
Step 1: Insert hardware parts B and D using a small mallet (not provided).
 DO NOT use any power tools as this may damage the frame and will invalidate any claim.



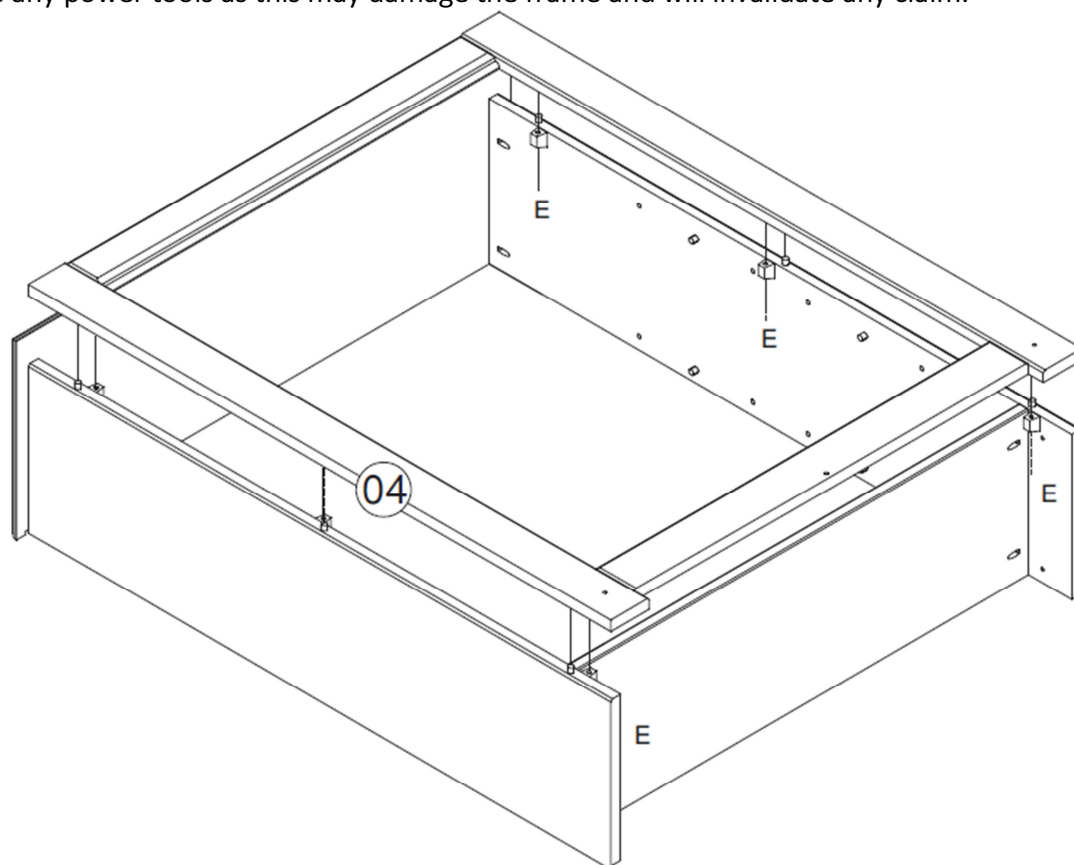
Step 2: Attach the left panel (2) and right panel (3) using hardware part A and a screwdriver (not provided).
 DO NOT use any power tools as this may damage the frame and will invalidate any claim.



Step 3: Attach the top panel (1) using hardware part A and a screwdriver (not provided).
DO NOT use any power tools as this may damage the frame and will invalidate any claim.

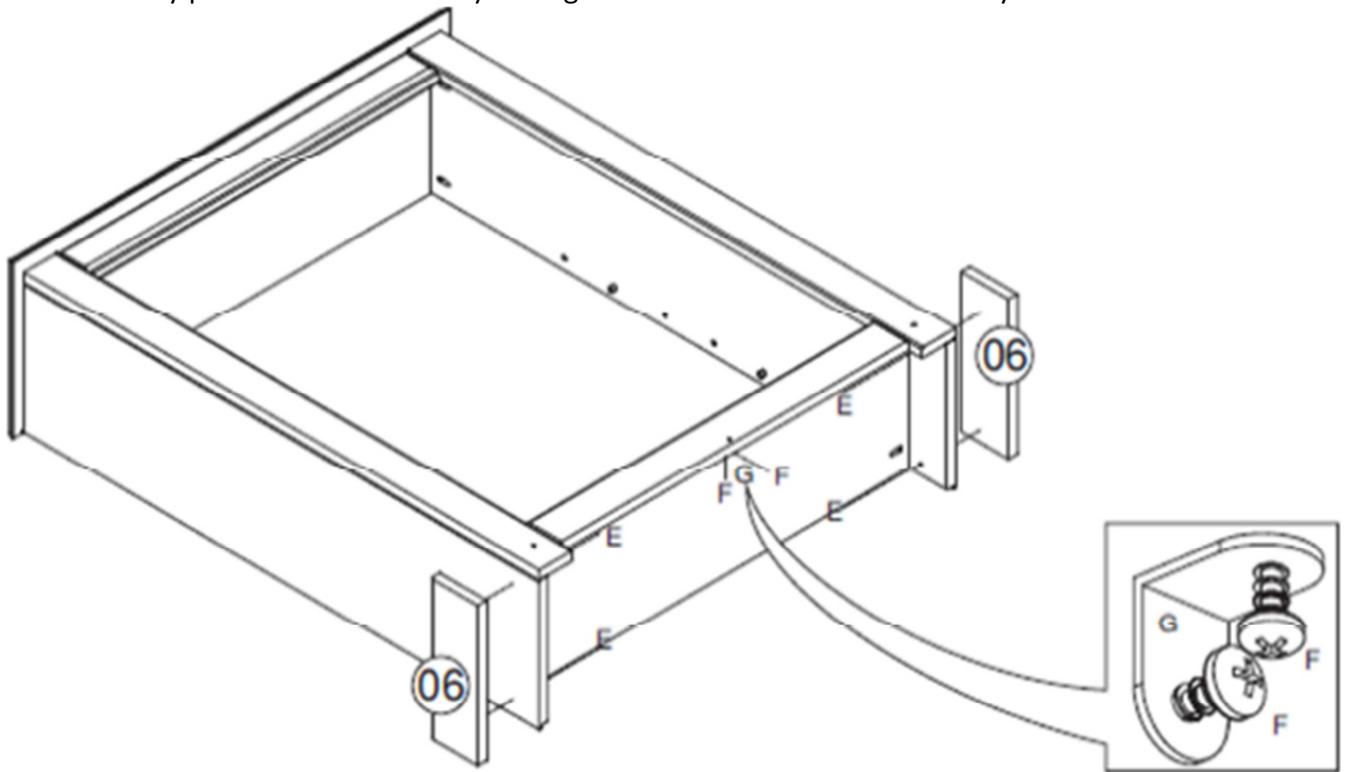


Step 4: Attach the front frame (4) using hardware part E and a screwdriver (not provided).
DO NOT use any power tools as this may damage the frame and will invalidate any claim.



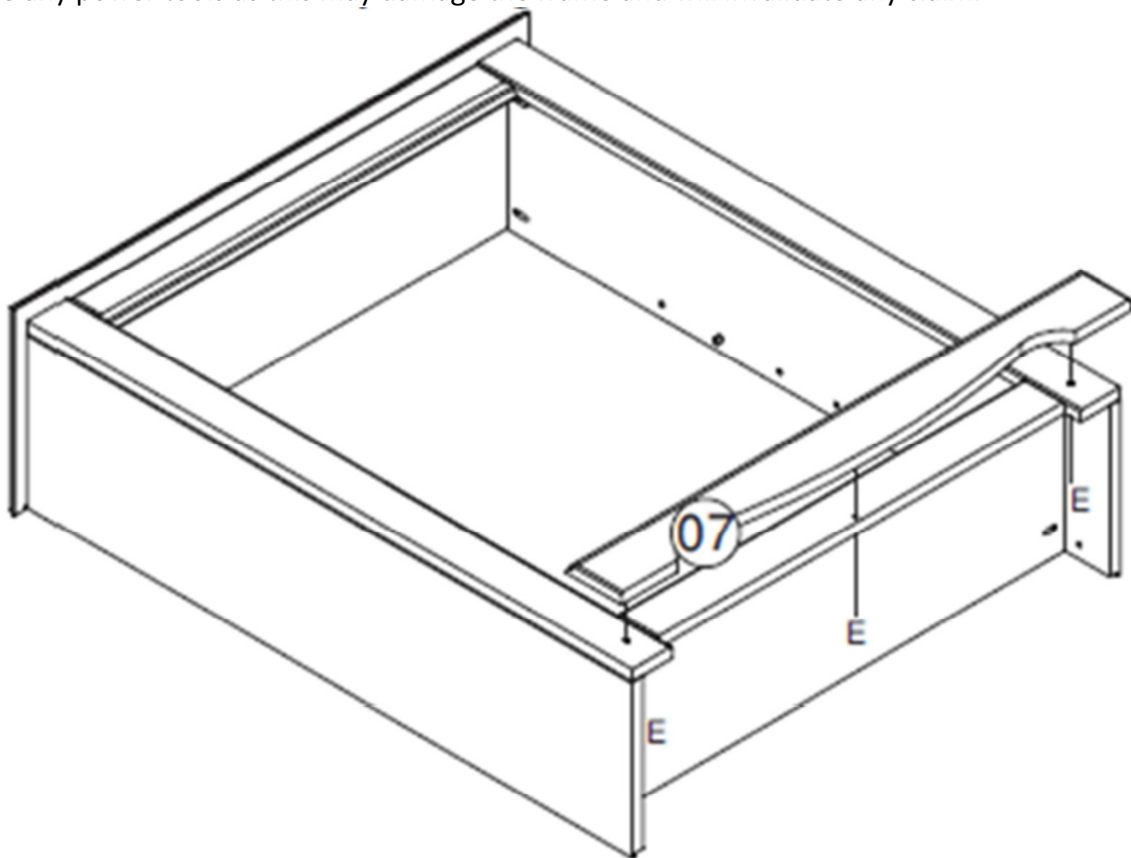
Step 5: Attach the side plinths (6) using hardware part E, then secure hardware part G using hardware part F. You will need to use a screwdriver (not provided).

DO NOT use any power tools as this may damage the frame and will invalidate any claim.



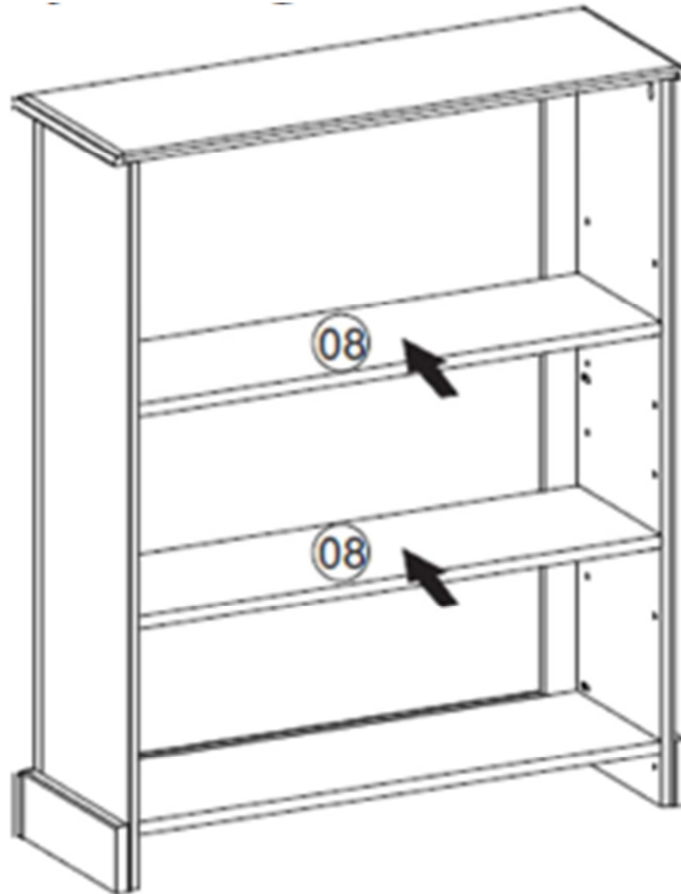
Step 6: Attach the front plinth (7) using hardware part E and a screwdriver (not provided).

DO NOT use any power tools as this may damage the frame and will invalidate any claim.



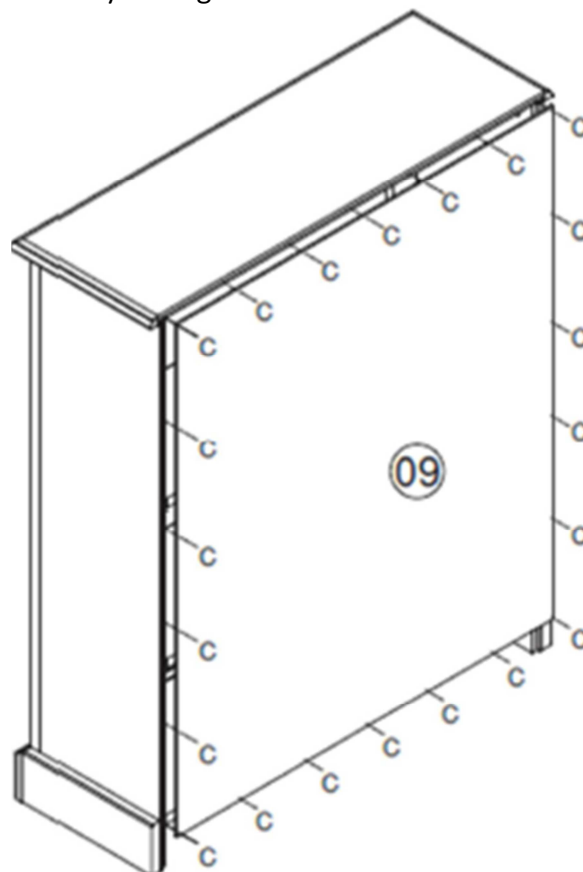
Step 7: Insert the shelves (8).

DO NOT use any power tools as this may damage the frame and will invalidate any claim.

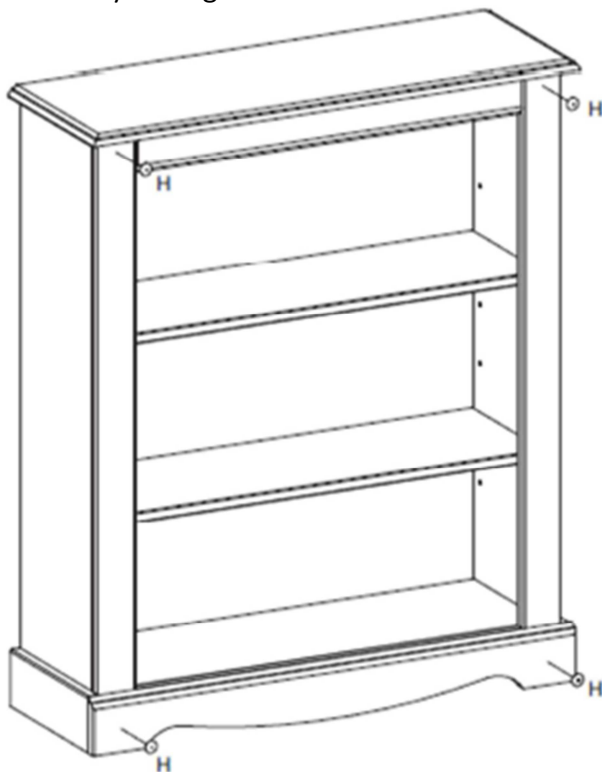


Step 8: Attach the back panel (9) using hardware part C and a small mallet (not provided).

DO NOT use any power tools as this may damage the frame and will invalidate any claim.



Step 9: Insert hardware part H using a small mallet (not provided).
DO NOT use any power tools as this may damage the frame and will invalidate any claim.



Additional Information: