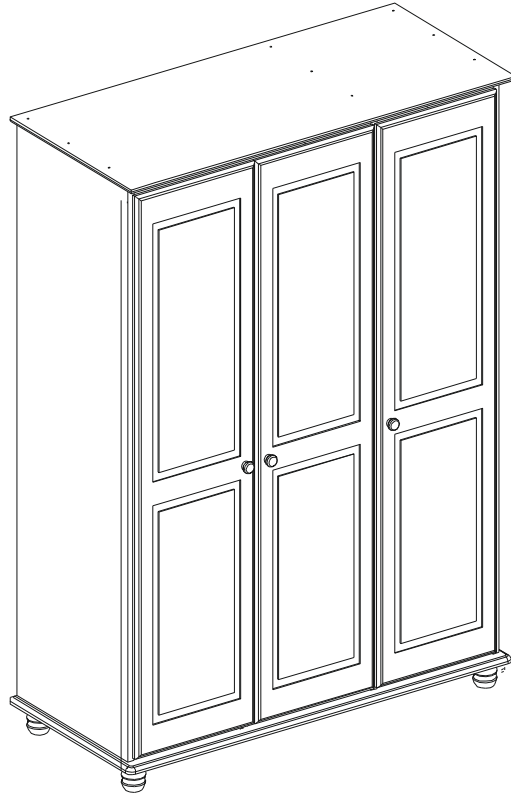


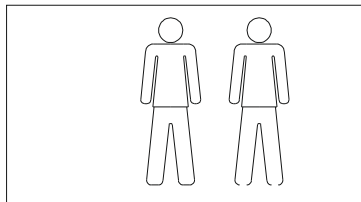
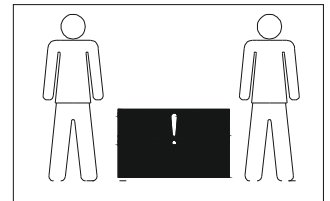
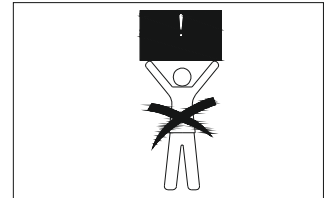
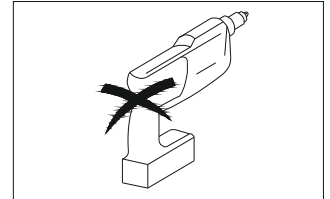
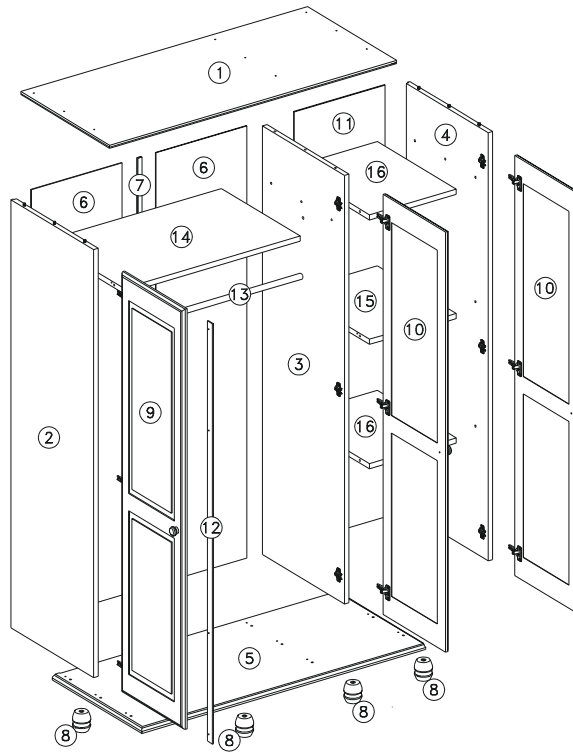
# ASSEMBLY INSTRUCTIONS



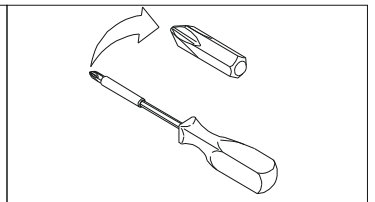
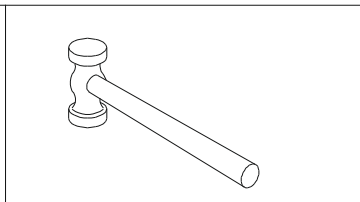
## FOR DOMESTIC USE ONLY IMPORTANT

### PLEASE READ BEFORE YOU CONTINUE FURTHER CARE AND MAINTENANCE

- After unpacking this product please keep the original packaging in case it needs to be returned for any reason.
- Please ensure all fittings and parts are present before commencing with assembly.
- We recommend that you lay a blanket or sheet on the floor to avoid damage to both your floor and the product.
- We strongly recommend that you keep children away from your work area.
- Assemble this product as close to its final position as possible.
- Never drag or push products as this could cause damage to the joints making it inferior.
- Do not drag or push items across your furniture as this may cause the surface to scratch.
- Do not place this product next to a radiator or indirect sunlight.
- Wood is a natural product and may expand if subjected to damp and may shrink or crack if subjected to heat. Therefore it is recommended that room temperature is maintained, with no sudden temperature fluctuations.
- Make sure any spillage is wiped off immediately.
- Do not place hot or chilled items directly on the surface, use a place mat or marking will occur.
- For general cleaning use a soft cotton or microfibre cloth, and do not use detergents of any kind.
- Do not place on a wet or damp floor as staining may occur to your floor.
- From time to time it may be necessary to tighten fittings, regular inspections should be carried out.



2,5m x 3m



**!**  
 \* Use of power tools to assemble this product will invalidate any claim and could damage this product making it unsafe!!!  
 \* Please assemble on a clean soft surface to avoid damage.

**!**  
 \* Please check contents and read the instructions before commencing assembly.  
 \* Assemble this product following the enclosed instructions carefully.  
 \* Please take care to avoid damaging parts during assembly.

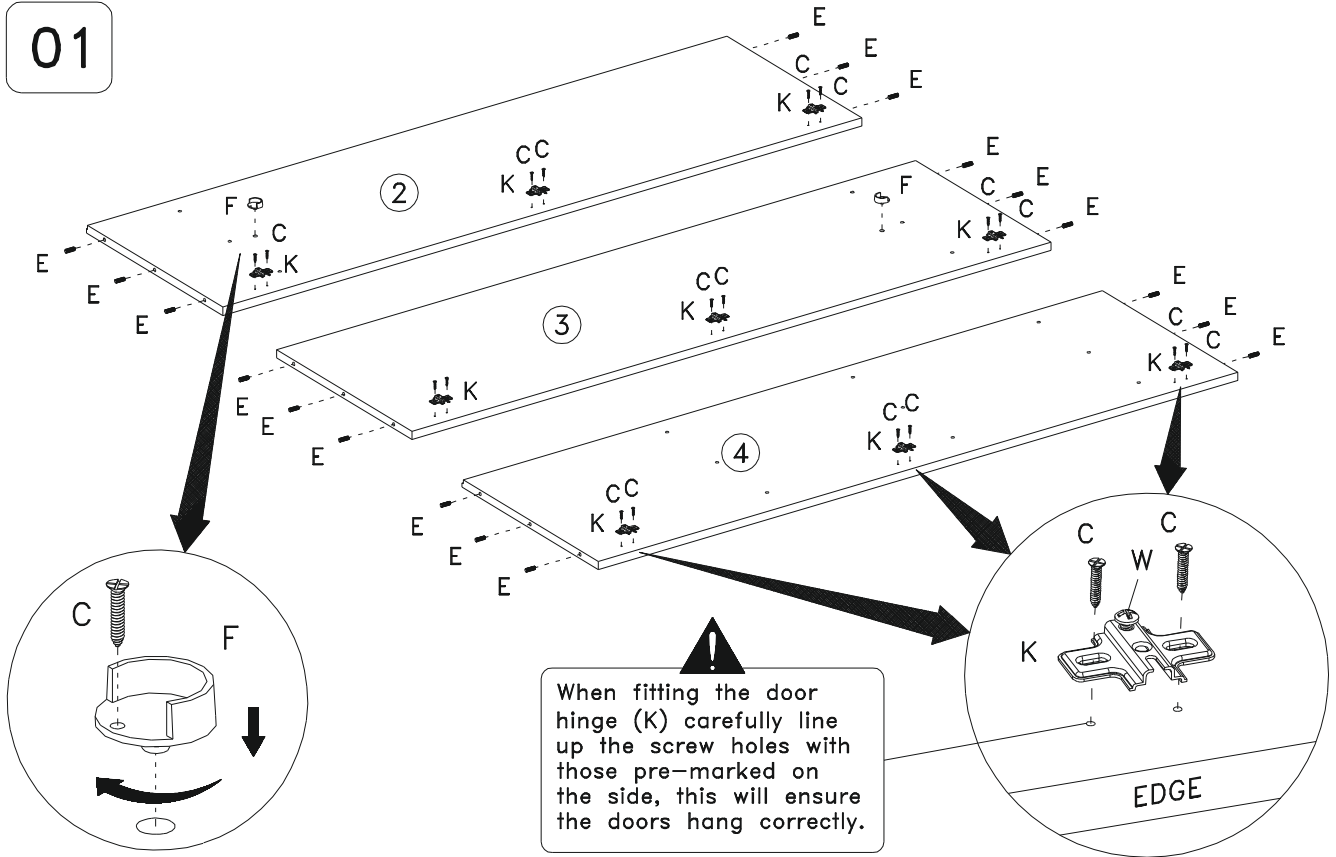
### PARTS LIST



part number	name of part	quantity	part number	name of part	quantity
1	Top	1	9	Left door	1
2	Left sidepanel	1	10	Right door	2
3	Centrepanel	1	11	Largeback panel	1
4	Right sidepanel	1	12	Doorstrip	1
5	Base	1	13	Hanging rail	1
6	Small back panel	2	14	Large shelf	1
7	Back panel strip	1	15	Fixed shelf	1
8	Feet	4	16	Shelves	2

### FITTINGS

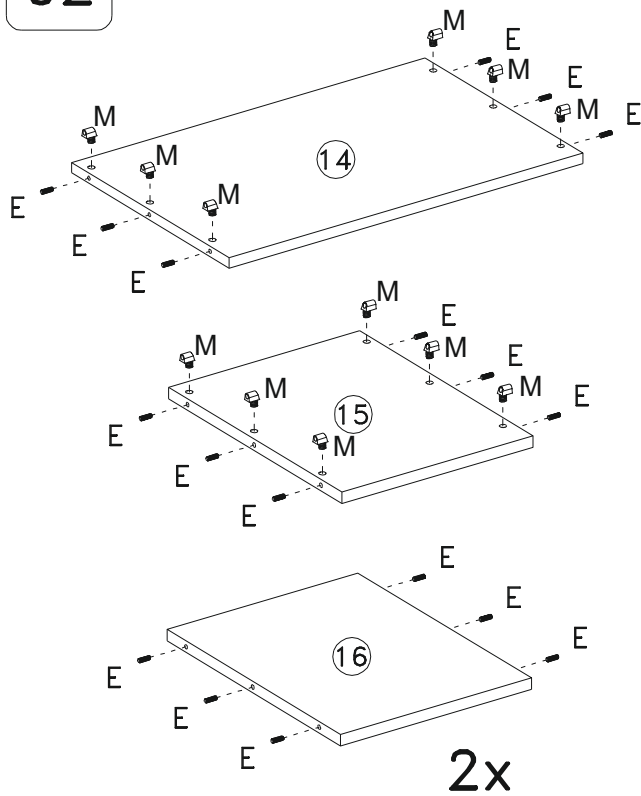
A		12	F		02	L		50
B		21	G		01	M		12
C		38	H		03	N		05
D		04	J		09	O		01
E		42	K		09			

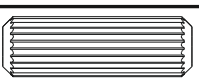

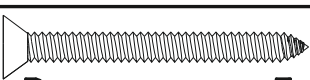
01



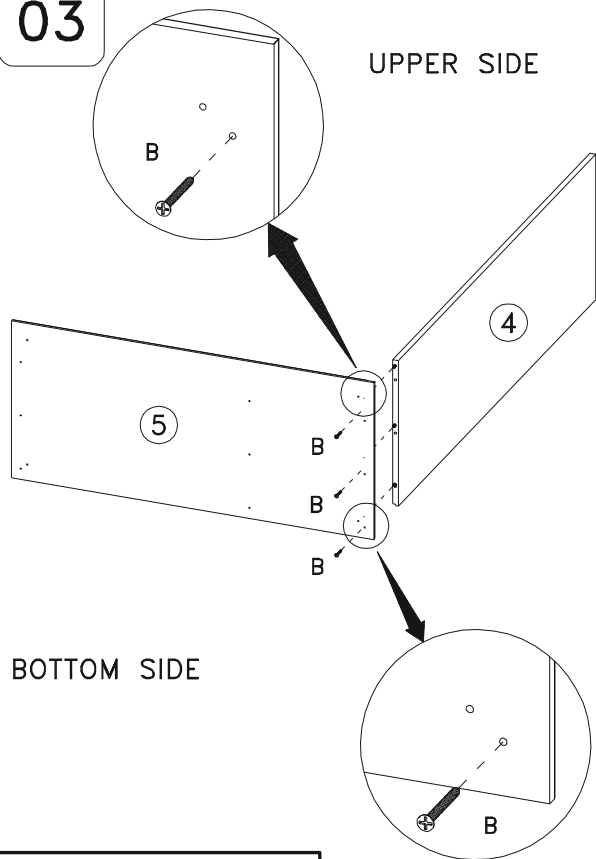
 <b>C</b> 3.5 x 14 <b>20x</b>	 <b>E</b> 8.0 x 25 <b>18x</b>	 <b>F</b> <b>2x</b>	 <b>K</b> <b>9x</b>
---	---	---	---

02

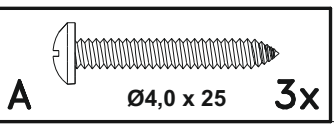
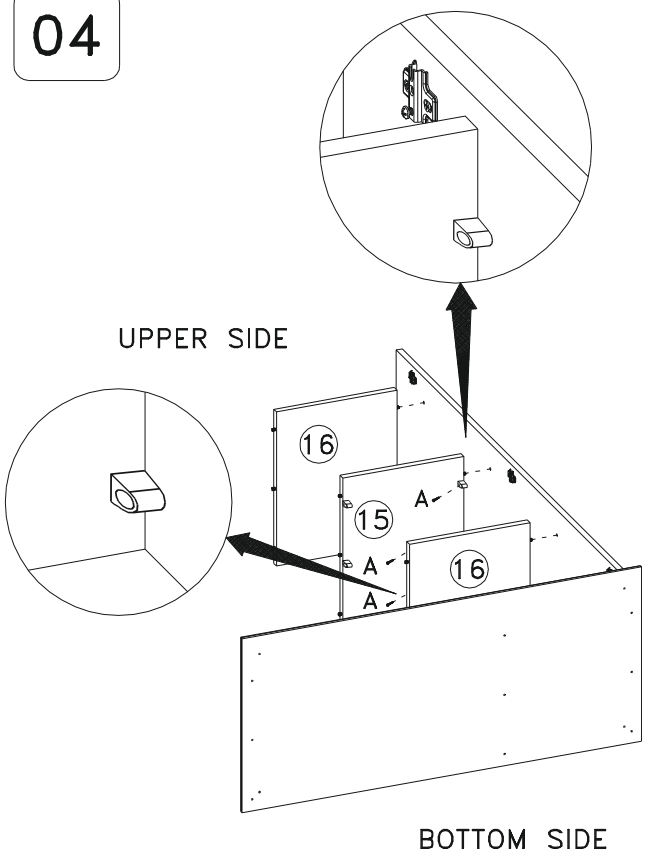


 <b>E</b> 8.0 x 25 <b>24x</b>	 <b>M</b> <b>12x</b>	 <b>B</b> 4.0 x 40 <b>3x</b>
---	--	---

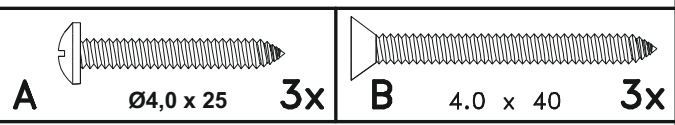
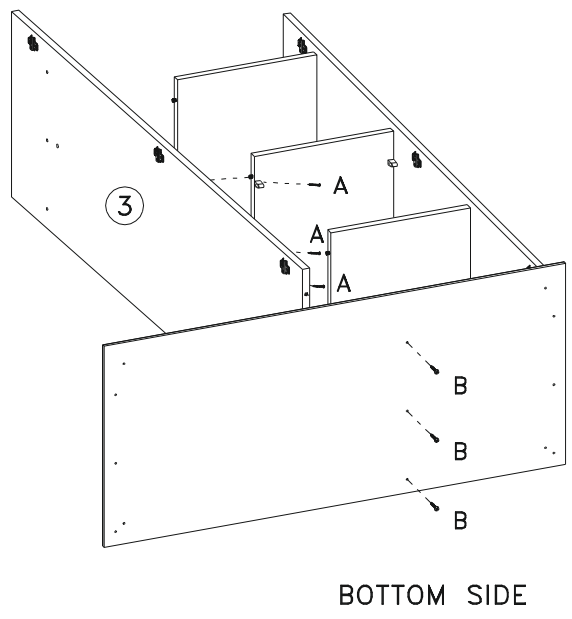
03



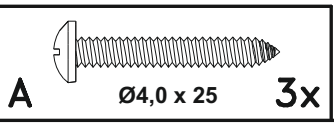
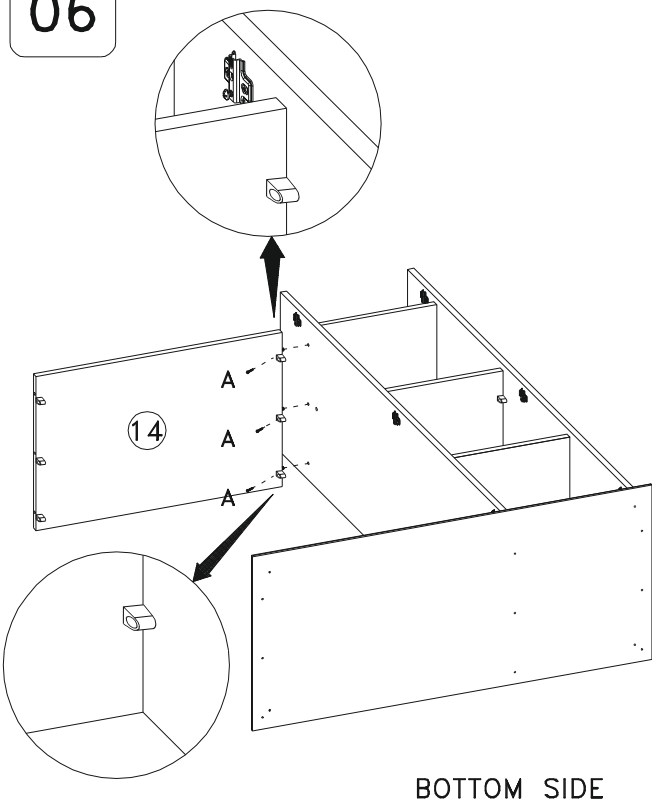
04



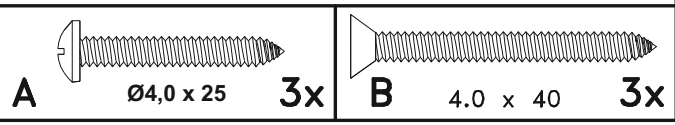
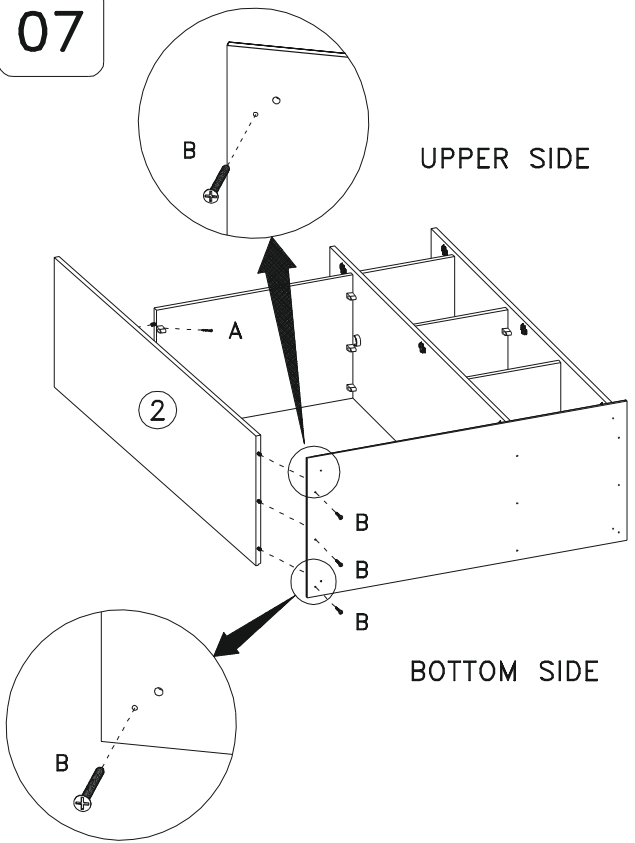
05



06

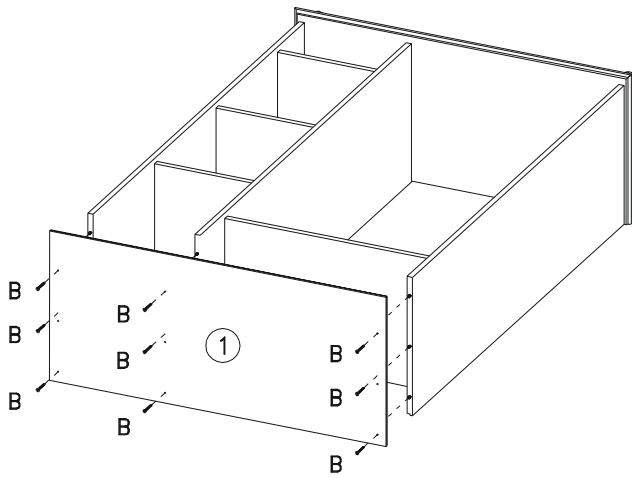


07

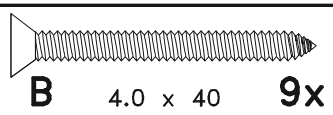


08

BOTTOM SIDE

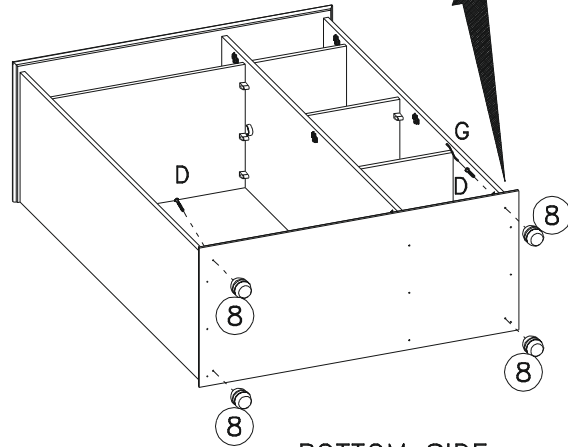


UPPER SIDE

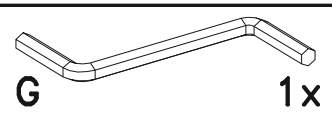
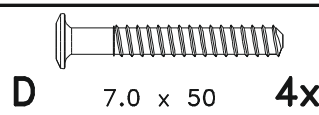


09

UPPER SIDE

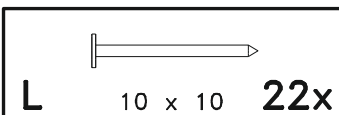
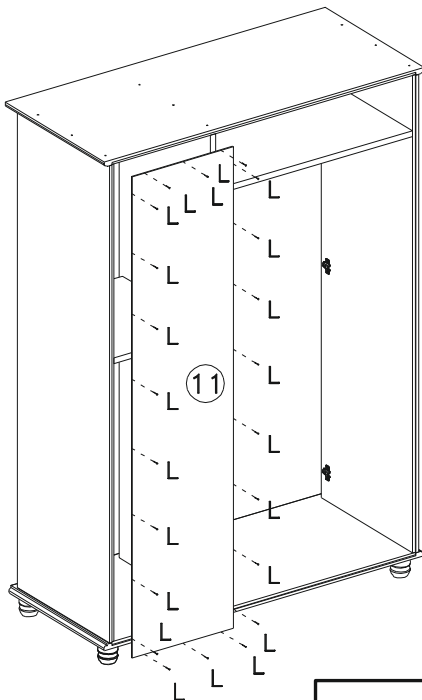
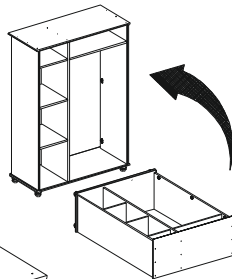


BOTTOM SIDE



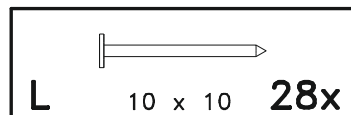
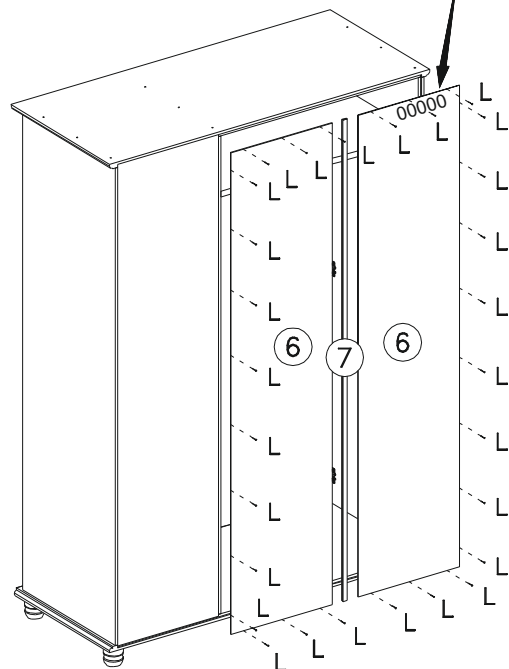
10

90°



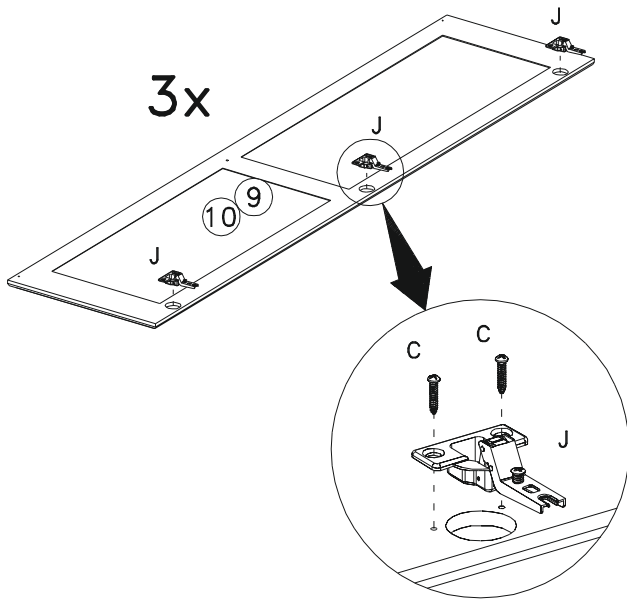
11

FOR YOUR FUTURE REFERENCE NUMBER SHOULD BE HERE

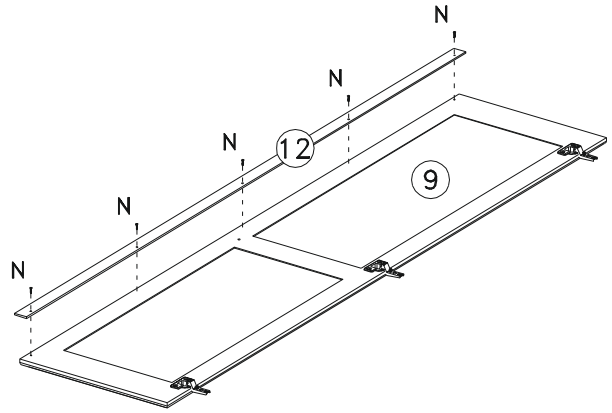




12


**!**  
When fitting the door hinge (J) carefully line up the screw holes with those pre-drilled on the door, this will ensure the doors hang correctly.



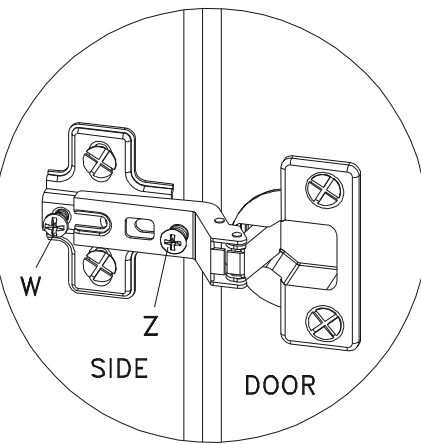
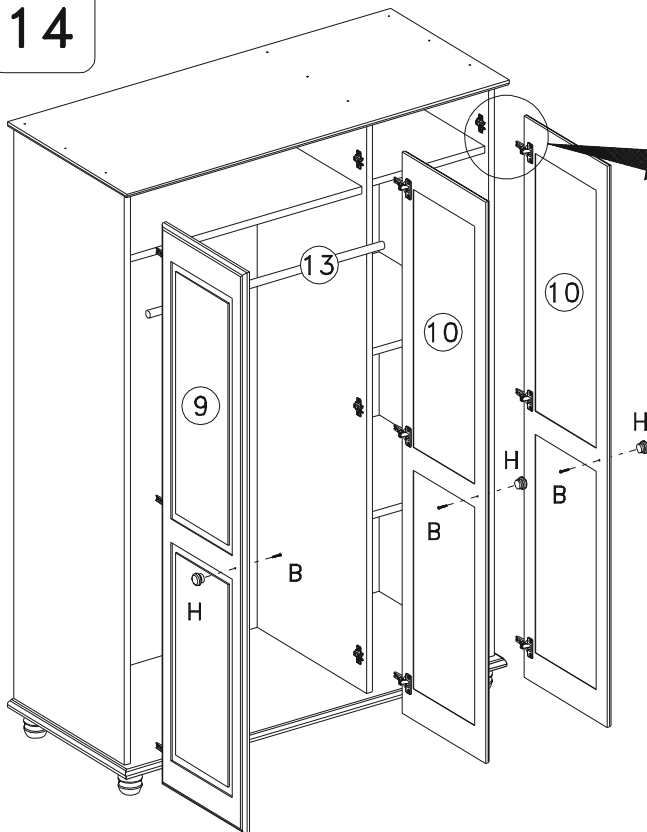
13



**C**  3.5 x 14 **18x** **J**  **9x**

**N**  3.0 x 20 **5x**

14



**!**  
SHOULD THE DOORS OF YOUR WARDROBE NOT APPEAR EVEN WHEN CLOSED THEY MAY NEED ADJUSTING. THIS CAN BE DONE AS FOLLOWS: LOOSEN SCREW (W) A LITTLE. BY TURNING SCREW (Z) EITHER CLOCKWISE OR ANTICLOCKWISE (IN OR OUT) THE HINGE CAN BE ADJUSTED AND THE DOOR CORRECTLY ALIGNED. IF MORE THAN ONE HINGE NEEDS ATTENTION PLEASE ADJUST ONE AT A TIME. IF IN DOUBT PLEASE SEEK PROFESSIONAL HELP.

**B**  4.0 x 40 **3x** **H**  **3x**

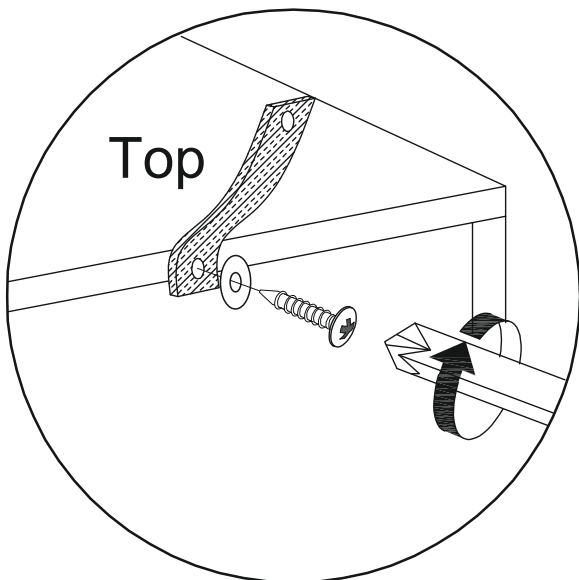
WHEN FULLY ASSEMBLED PLEASE ENSURE ALL SCREWS ARE TIGHTENED.

## **WARNING**

**Serious or fatal injuries can occur from furniture tipping over. To prevent the furniture from tipping over we recommend that it is permanently fixed to the wall.**

Wall fixings are not supplied with this product as different wall materials require different types of fixing devices.

Please make sure you use fixings suitable for the walls in your home.



### **HARDWARE LIST**



Strap (Anti-Tip Kit)  
(1x)



Wood Screw (Anti-Tip Kit)  
3,5 x 30mm (1x)



Washer (Anti-Tip Kit)  
(2x)

