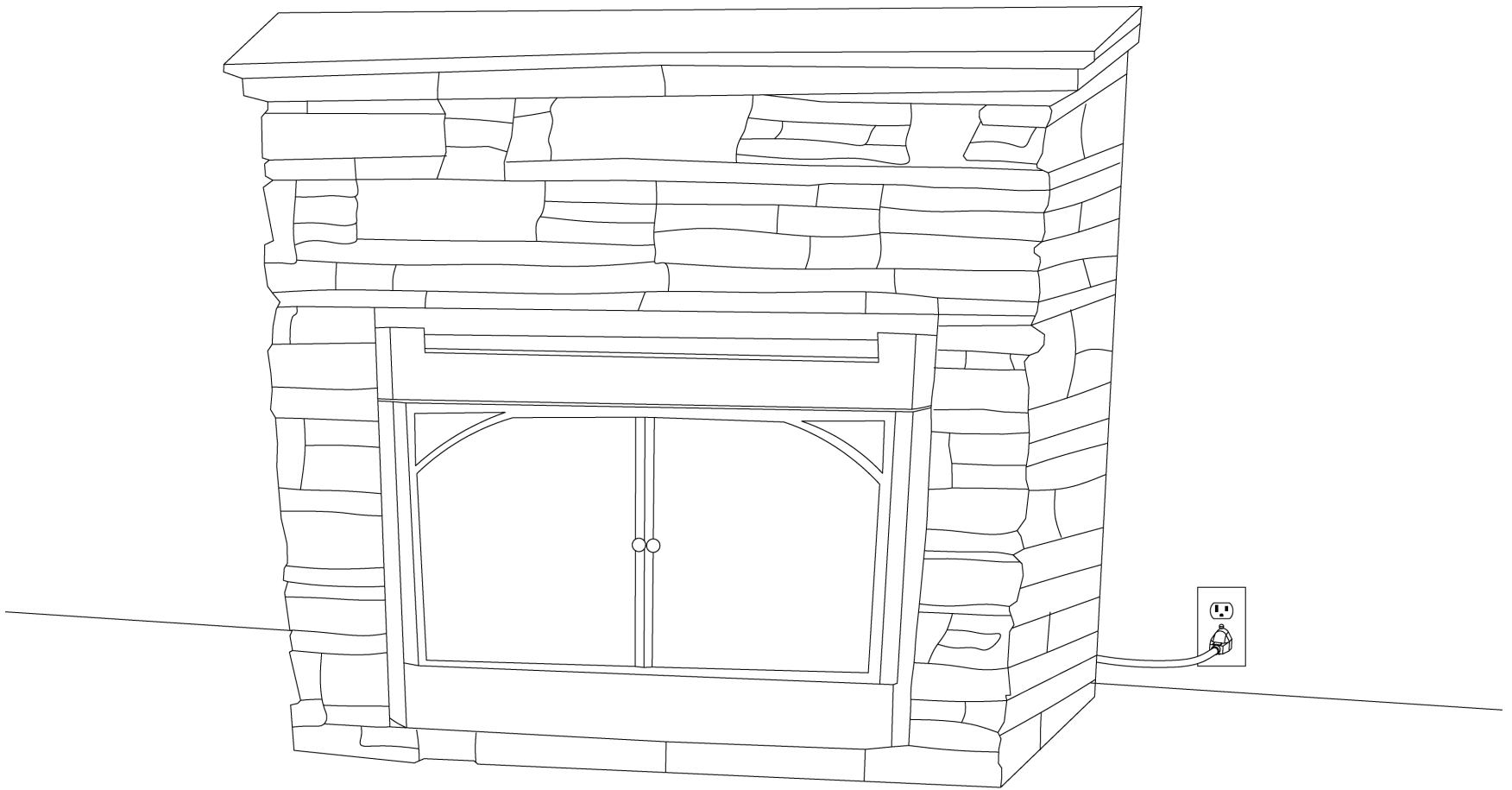


## Indoor Electric Fireplace Replacing the Glass and Logs

Model No. EF700SP



**WARNING**  
FOR YOUR SAFETY:  
For Indoor Use Only

**WARNING**  
FOR YOUR SAFETY:

1. Improper installation, adjustment, alteration, service or maintenance can cause injury or property damage.
2. Read the installation, operation, and maintenance instructions thoroughly before installing or servicing this equipment.
3. Failure to follow these instructions could result in fire or explosion, which could cause property damage, personal injury or death.
4. This instruction manual contains important information necessary for the proper assembly and safe use of the appliance.
5. Read and follow all warnings and instructions before assembling and using the appliance.
6. Follow all warnings and instructions when using the appliance.

**Danger**  
Do NOT use electric fireplace for cooking.  
NOT to be used in or on boats or recreational vehicles.

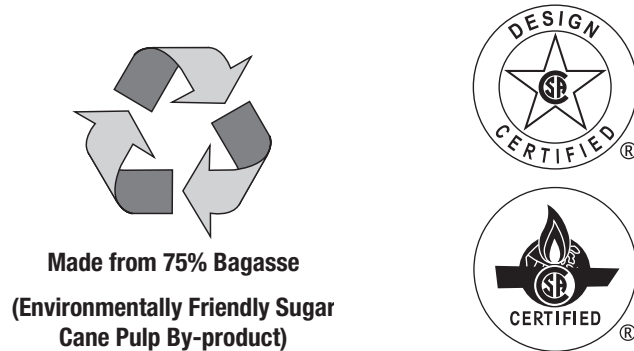
Table of Contents	
Important Safeguards . . . . .	Page 2
Replacement Instructions . . . . .	3
Operating Instructions . . . . .	6
Before Turning "ON" . . . . .	6
Turning "ON" . . . . .	6
While Electric fireplace is "ON" . . . . .	6
Using Remote Control . . . . .	6
Turning "OFF" . . . . .	6

The use and installation of this product must conform to local codes.

Save these instructions for future reference. If you are assembling this unit for someone else, give this manual to him or her to read and save for future reference.

**WARNING**  
FOR YOUR SAFETY:

1. Installation and repair should be done by a qualified service person.
2. Use only Blue Rhino Global Sourcing, Inc. factory authorized parts. The use of any part that is not factory authorized can be dangerous. This will also void your warranty. Contact 1.800.762.1142.
3. Do not use flammable solutions or material to clean electric heater or electric fireplace parts. Use only warm soapy water to clean outside of electric fireplace.
4. Do not submerge any part of electric fireplace in water.



## IMPORTANT SAFEGUARDS

When using electrical appliances, basic safety precautions should always be followed including the following:

1. Read all instructions before using this electric fireplace.
2. Do not touch hot surfaces.
3. This electric fireplace is hot when in use. To avoid burns, do not let bare skin touch hot surfaces. Keep combustible material such as electrical cords, furniture, papers, clothes, and curtains at least 3 feet (0.9 M) away from the front of the electric fireplace and away from the sides and rear.
4. To protect against electrical shock do not immerse cord, plugs, or heating element in water or other liquids.
5. Close supervision is necessary when any appliance is used by or near children.
6. Unplug from outlet when not in use and before cleaning. Allow to cool before cleaning.
7. Do not operate any electric fireplace with a damaged cord or plug or after the electric fireplace malfunctions, has been dropped or has been damaged in any manner. Return appliance to the nearest authorized service facility for examination, repair, or adjustment.

8. This electric fireplace is not intended for commercial use.
9. The use of accessory attachments not recommended by the appliance manufacturer may cause injuries.
10. Do not let cord touch hot surfaces.
11. Do not place on or near a hot gas or electric burner, or in a heated oven.
13. Do not use appliance for other than intended use.
14. Use only on properly grounded outlet.
15. Do not run cord under carpeting. Do not cover cord with throw rugs, runners, or similar coverings. Arrange cord away from traffic area and where it will not be tripped over.
16. Do not insert or allow foreign objects to enter any ventilation or exhaust opening as this may cause an electric shock or fire, or damage the electric fireplace.

### 15. SAVE THESE INSTRUCTIONS.

**▲ DANGER:** Failure to follow the dangers, warning and cautions in this manual may result in serious bodily injury or death, or in a fire or an explosion causing damage to property.

#### ▲ WARNING:

▲ This electric fireplace is hot when in use. To avoid burns, do not let bare skin touch hot surfaces.

▲ This electric fireplace is for indoor use only.

▲ For residential use only. This electric fireplace is NOT for commercial use.

▲ This electric fireplace is for use with electricity.

▲ This electric fireplace is safety certified for use in the United States and/or Canada only. Do not modify for use in any other location. Modification will result in a safety hazard.

▲ Always unplug the electric fireplace if it is not being used.

▲ Do not store or use gasoline or other flammable vapors and liquids in the vicinity of this or any other appliance.

▲ Avoid the use of an extension cord because the extension cord may overheat and cause a risk of fire.

▲ Do not use 16 gauge extension cords. Damage to household wiring and/or fire could result.

▲ Longer detachable power-supply cords or extension cords are available and may be used if care is exercised in their use.

- ▲ If a longer detachable power-supply cord or extension cord is used,
- a. The cord shall be no. 14 AWG minimum size and rated not less than 2,000 watts.
  - b. The marked electrical rating of the cord set or extension cord should be at least as great as the electrical rating of the appliance, and
  - c. The cord should be arranged so that it will not drape over the countertop or tabletop where it can be pulled on by children or tripped over unintentionally.

▲ **ELECTRIC SHOCK CAN KILL OR RESULT IN SERIOUS INJURY. TO PREVENT ELECTRICAL SHOCK:**

- a. Use only with GFI (Ground Fault Interrupter) protected circuit.
- b. To prevent electric fireplace from being splashed or falling into water, do not use electric fireplace within 10 feet (3.05 m) of sinks or bathtubs.
- c. Keep electric fireplace and cord dry and out of rain at all times.
- d. Do not operate electric fireplace that has a damaged cord, plug, or metal probe. Call our customer service for a replacement cord. This cord is made specifically for this electric fireplace.
- e. Never remove grounding plug, or use with an adapter to two prongs.
- f. Keep electric plugs off ground, and dry.
- g. In case of fire, turn electric fireplace "OFF", unplug electric fireplace from outlet, and allow fire to burn out. Do not use water to put out a fire in this or another electrical appliance.
- h. Do not use water or other liquid spray to clean electric fireplace without first unplugging electric cord.
- i. Do NOT place the electric fireplace near a bed because objects such as pillows or blankets can fall off the bed and be ignited by the electric fireplace.
- j. To prevent a possible fire, do not block air intakes or exhaust in any manner. Do not use on soft surfaces, like a bed, where opening may become blocked.

▲ If the supply cord is damaged, it must be replaced by the manufacturer, its service agent or similarly qualified persons in order to avoid a hazard.

▲ The use of alcohol, prescription or non-prescription drugs may impair the consumer's ability to properly assemble or safely operate the appliance.

▲ Never use charcoal, lighter fluid, lava rocks, gasoline, kerosene or alcohol with this product.

▲ Do not store or use gasoline or other flammable liquids or vapors within 25 feet (7.62 m) of this appliance.

▲ A electric fireplace has hot and arcing or sparking parts inside. Do not use in an explosive atmosphere. Keep electric fireplace area clear and free from combustible materials, gasoline and other flammable vapors and liquids.

▲ DO NOT burn wood or other materials in this fireplace.

▲ DO NOT use this electric fireplace near any unprotected combustible constructions.

▲ Do not alter this electric fireplace in any manner.

▲ Do not use the electric fireplace unless it is COMPLETELY assembled and all parts are securely fastened and tightened.

▲ DO NOT strike fireplace glass.

▲ This electric fireplace should be thoroughly inspected on a regular basis.

▲ Do not build this model of electric fireplace in any built-in or slide in construction. Ignoring this warning could cause a fire or an explosion that can damage property and cause serious bodily injury or death.

▲ Use only Blue Rhino Global Sourcing, Inc. factory authorized parts. The use of any part that is not factory authorized can be dangerous. This will also void your warranty.

▲ Do not use this appliance without reading "Operating Instructions" in this manual.

▲ Do not touch metal parts of electric fireplace until it has completely cooled (about 45 min.) to avoid burns, unless you are wearing protective gear (pot holders, gloves, BBQ mittens, etc.).

▲ Do not use in or on boats or recreational vehicles.

▲ Do not leave a lit electric fireplace unattended, especially keep children and pets away from electric fireplace at all times.

▲ Do not attempt to move electric fireplace when in use. Allow the electric fireplace to cool before moving or storing.

▲ Keep all electrical cords away from a hot electric fireplace.

▲ Always use on a level surface.

▲ After a period of storage and/or nonuse, inspect for any abrasion, wear, cuts to the electrical cord.

▲ The use of accessory attachments not recommended by the appliance manufacturer may cause injuries.

▲ Servicing should be done only while the electric fireplace is disconnected from the power supply.

▲ To ensure continued protection against electrical shock, connect only to properly grounded outlets.

▲ Do not immerse in water. Disconnect electric cord from outlet before cleaning, servicing and/or removing heating element. To reduce the risk of electric shock, use with GFI protected electric outlet only.

▲ High temperatures may be generated under certain abnormal conditions. Do not partially or fully cover or obstruct this electric fireplace.

▲ Please use protective gloves when assembling this product.

▲ Do not force parts together as this can result in personal injury or damage to the product.

▲ Use this electric fireplace only as described in this manual. Any other use not recommended by the manufacturer may cause fire, electrical shock, or injury to persons.

▲ Use protective gloves when assembling this product.

▲ Do not force parts together as this can result in personal injury or damage to the product.

▲ Deaths, serious injury or damage to property may occur if the above is not followed exactly.

## Replacement Instructions

### 1 DO NOT RETURN PRODUCT TO STORE.

For assistance call **1.800.762.1142** toll free. Please have your owner's manual and serial number available for reference.

For Easiest Assembly:

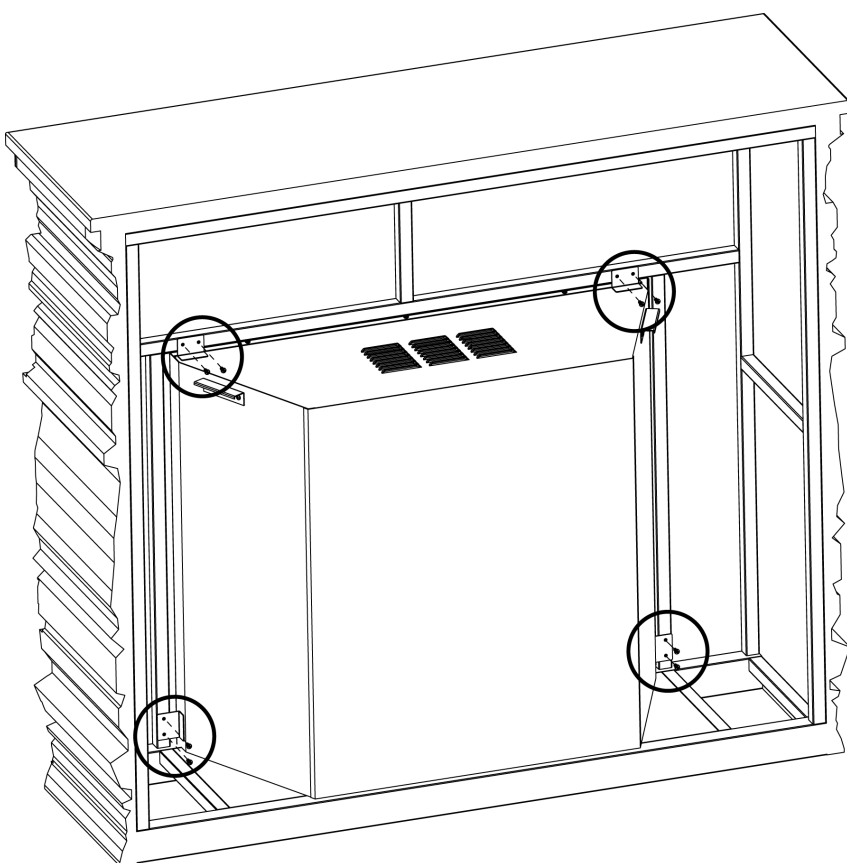
- To avoid losing any small components or hardware, assemble your product on a hard level surface that does not have cracks or openings.
- Clear an area large enough to layout all components and hardware.
- When applicable, tighten all hardware connections by hand first. Once the step is completed, go back and fully tighten all hardware.
- Follow all steps in order to properly assemble your product.

*Note:* Two people are required to move the electric fireplace.

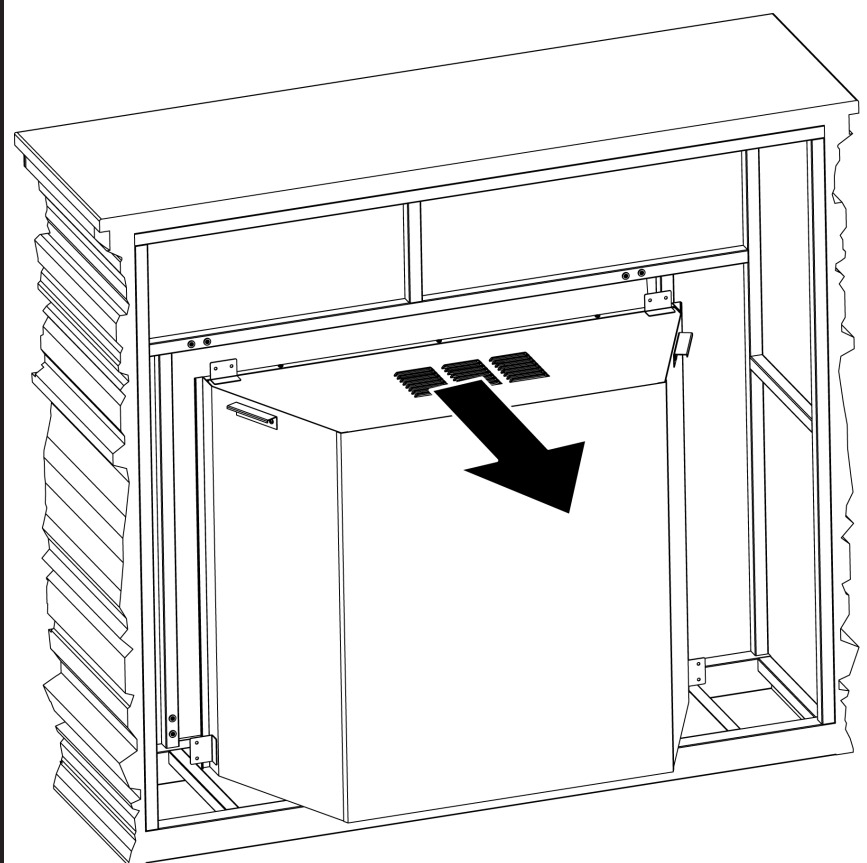
### 2 Turn Off and Unplug

1. Push the main power switch to the "OFF" position.
2. Unplug the power cord from the wall outlet.

### 3 Unscrew Firebox



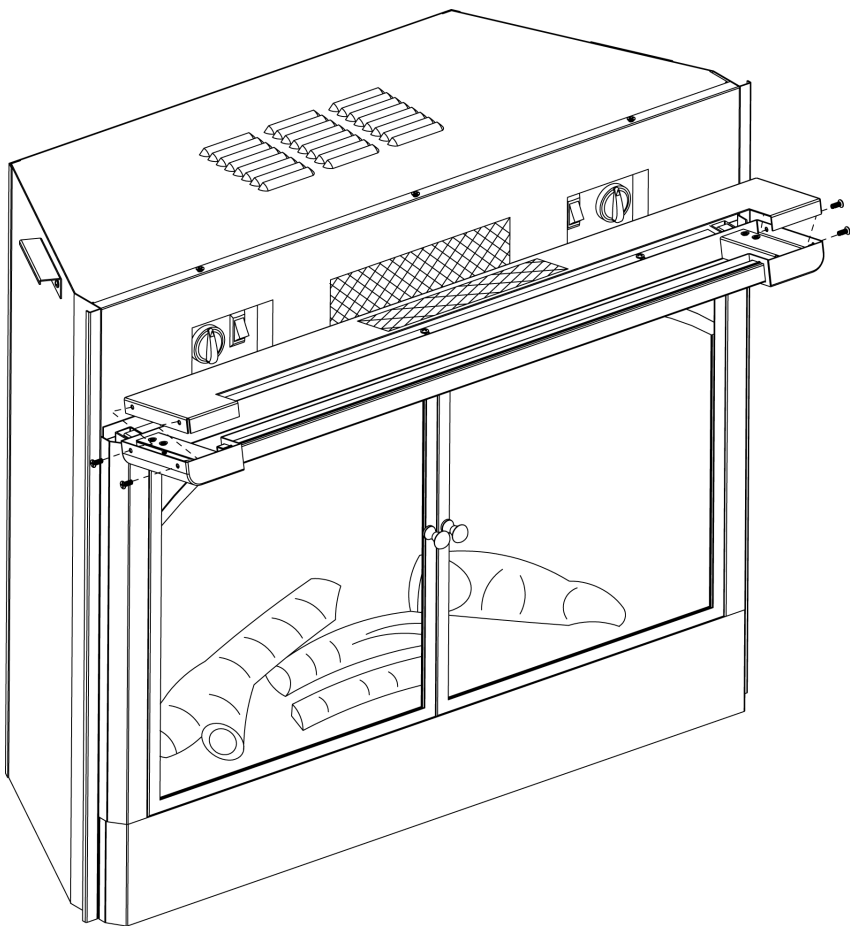
### 4 Remove Firebox



**Replacement Instructions (continued)**

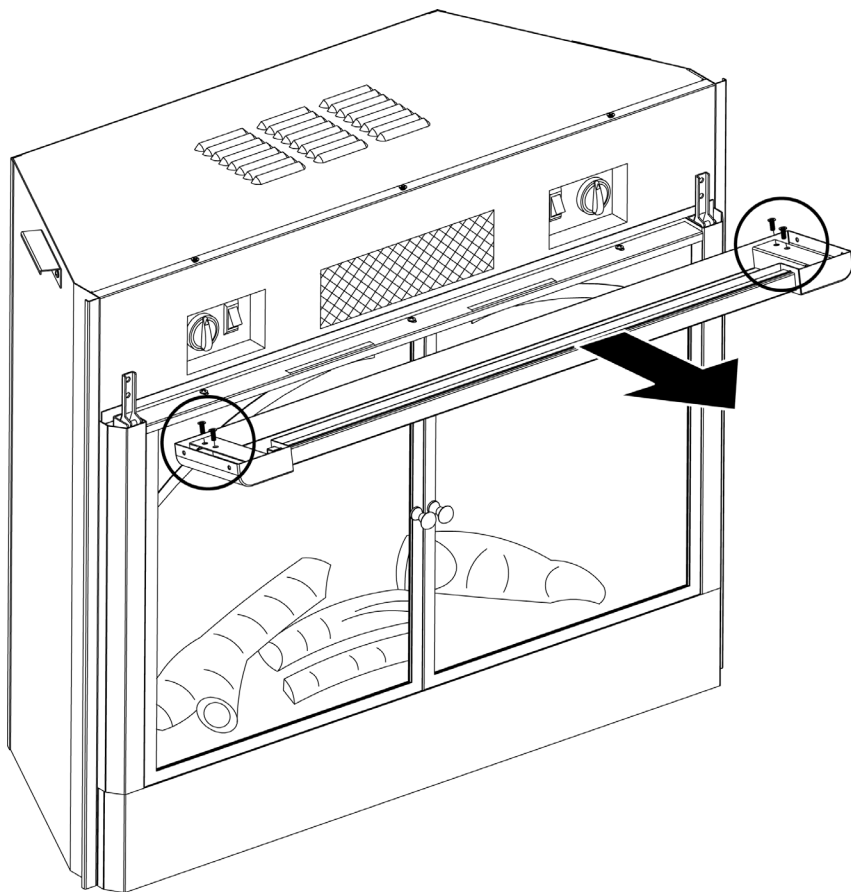
**5**

**Remove Front Heat Panel Insert**



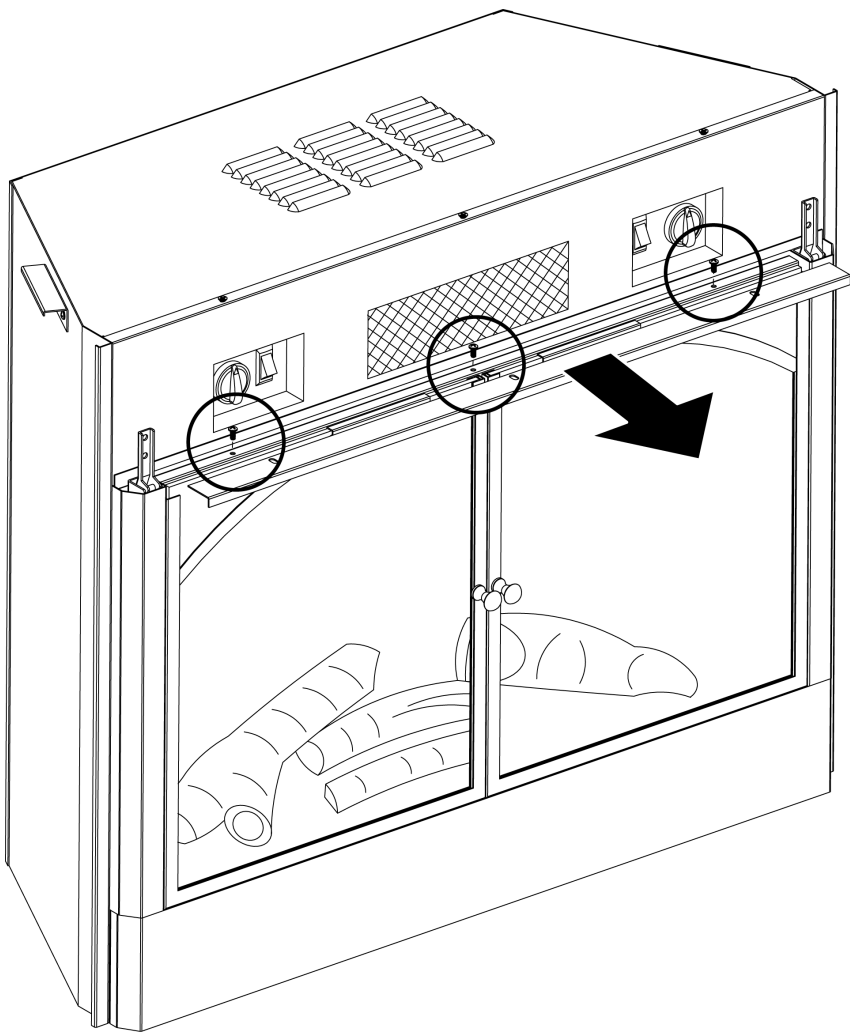
**6**

**Remove Front Heat Panel**



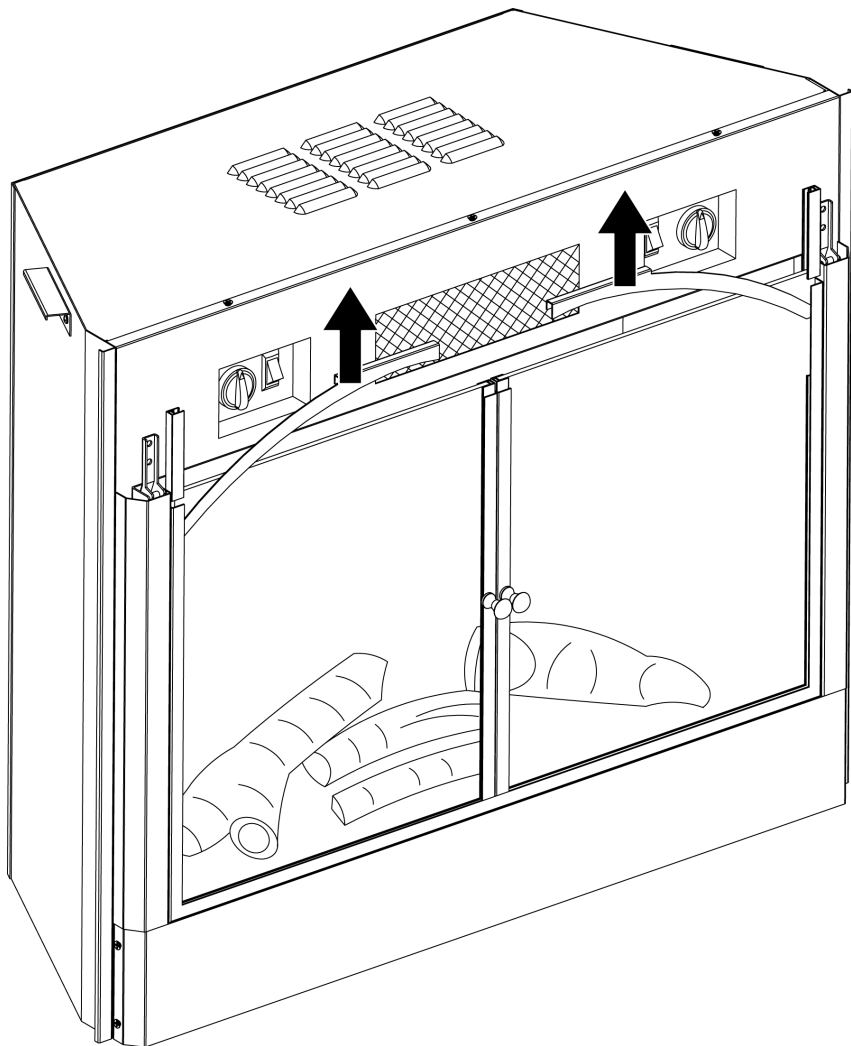
**7**

**Remove Top Glass Frame Support**



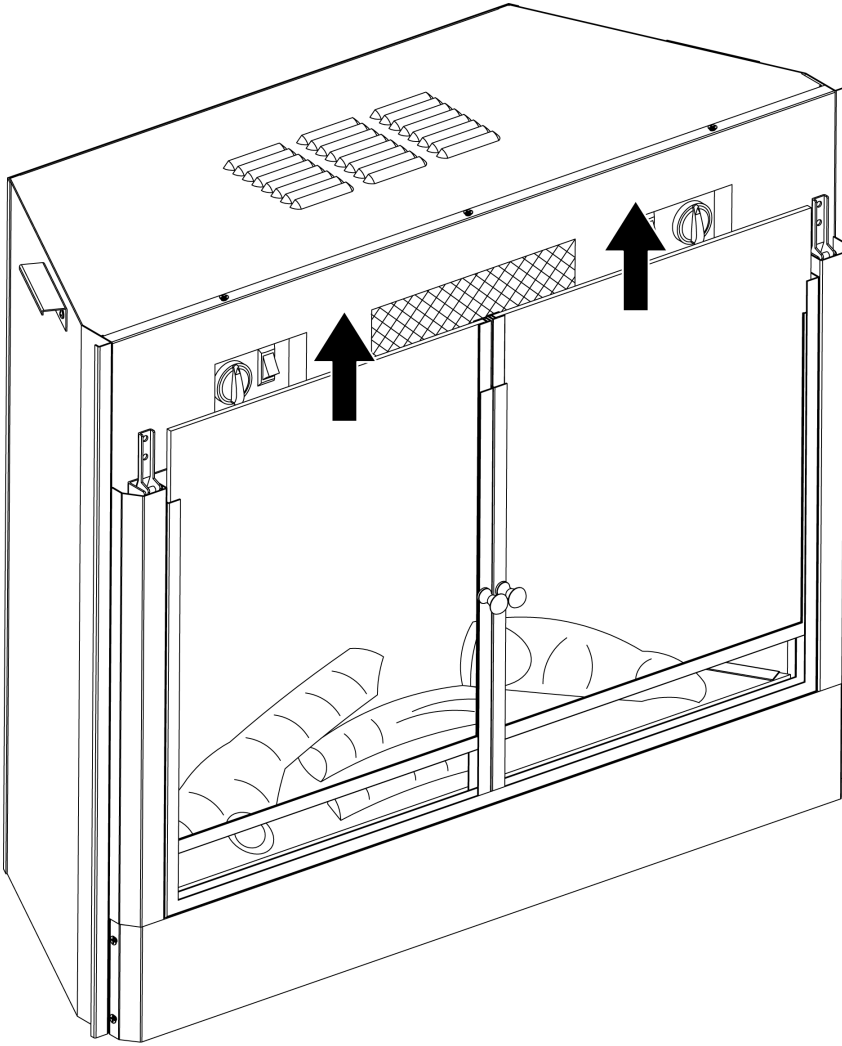
**8**

**Remove Decorative Glass Inserts**



## Replacement Instructions (continued)

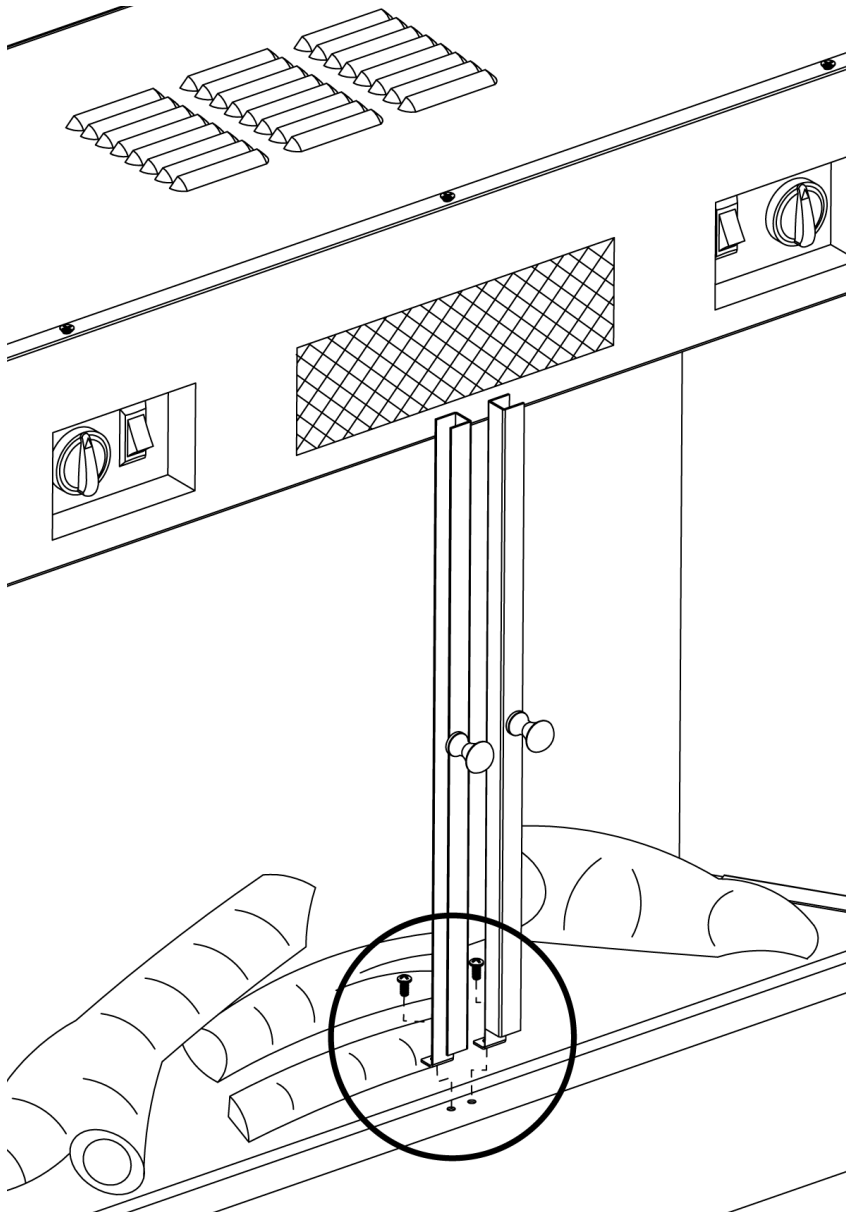
### 9 Remove Glass Panels.



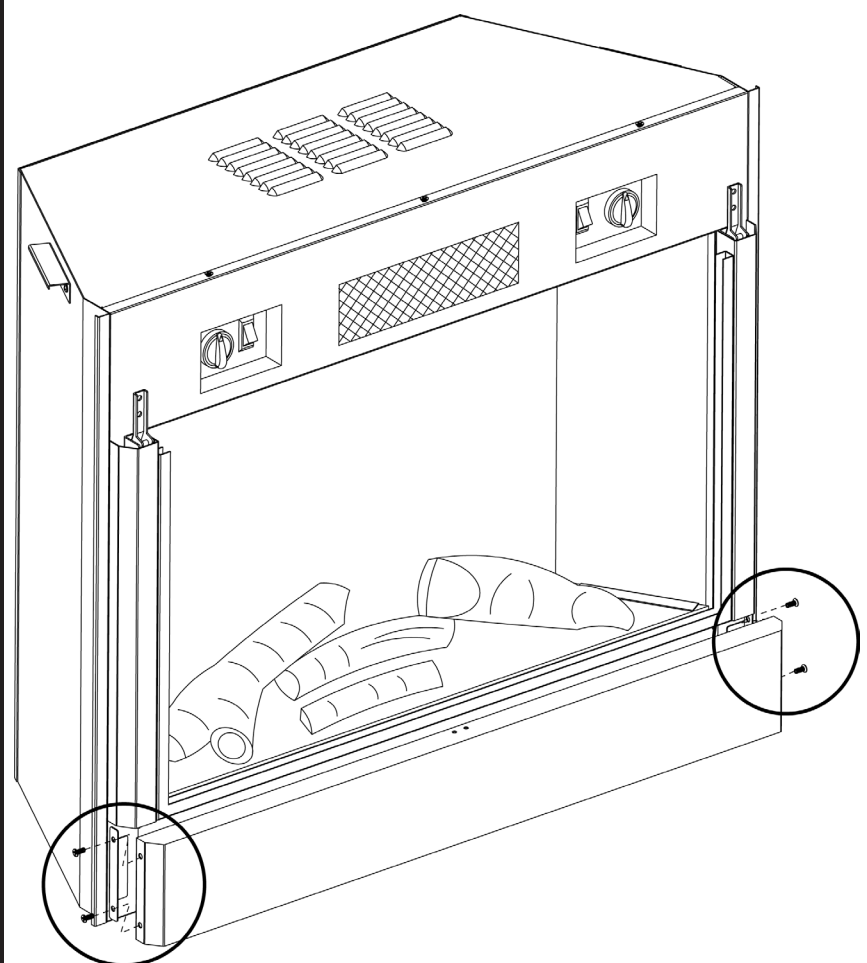
10 If you are replacing the glass only, please follow the steps in reverse, then go to the *Operating Instructions* section.

If you are replacing the logs, please continue.

### 11 Remove Front Door Panel Supports

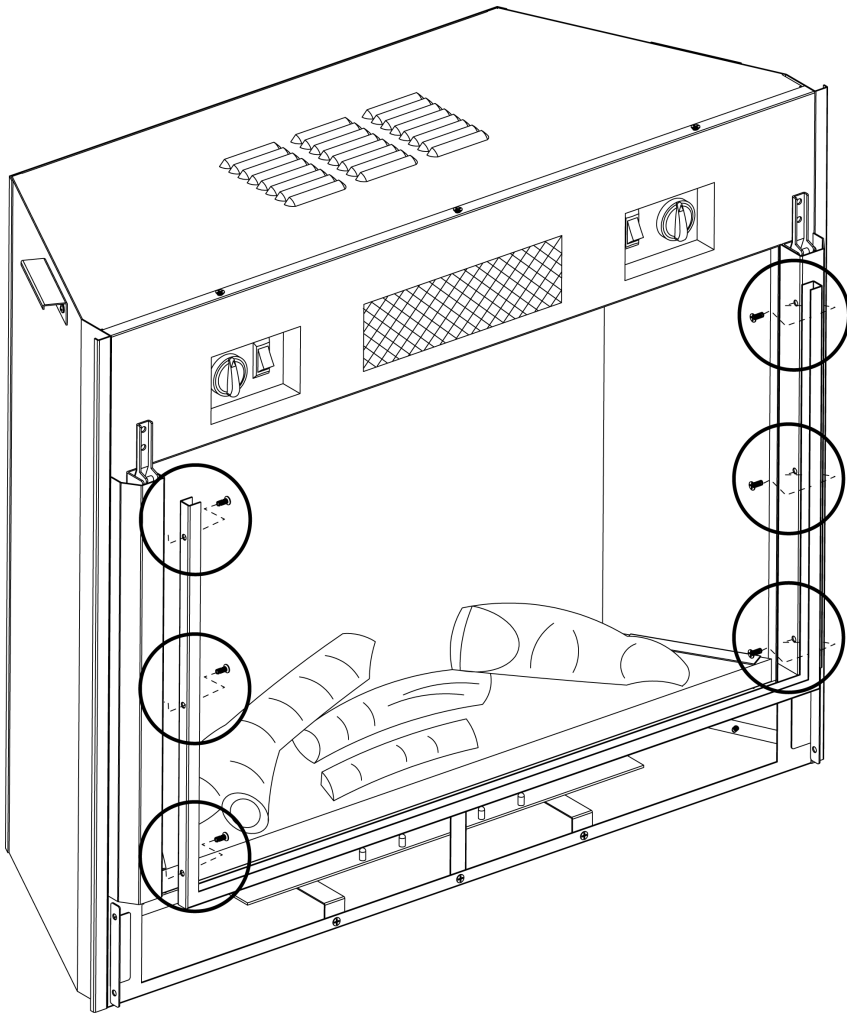


### 12 Remove Decorative Front Panel

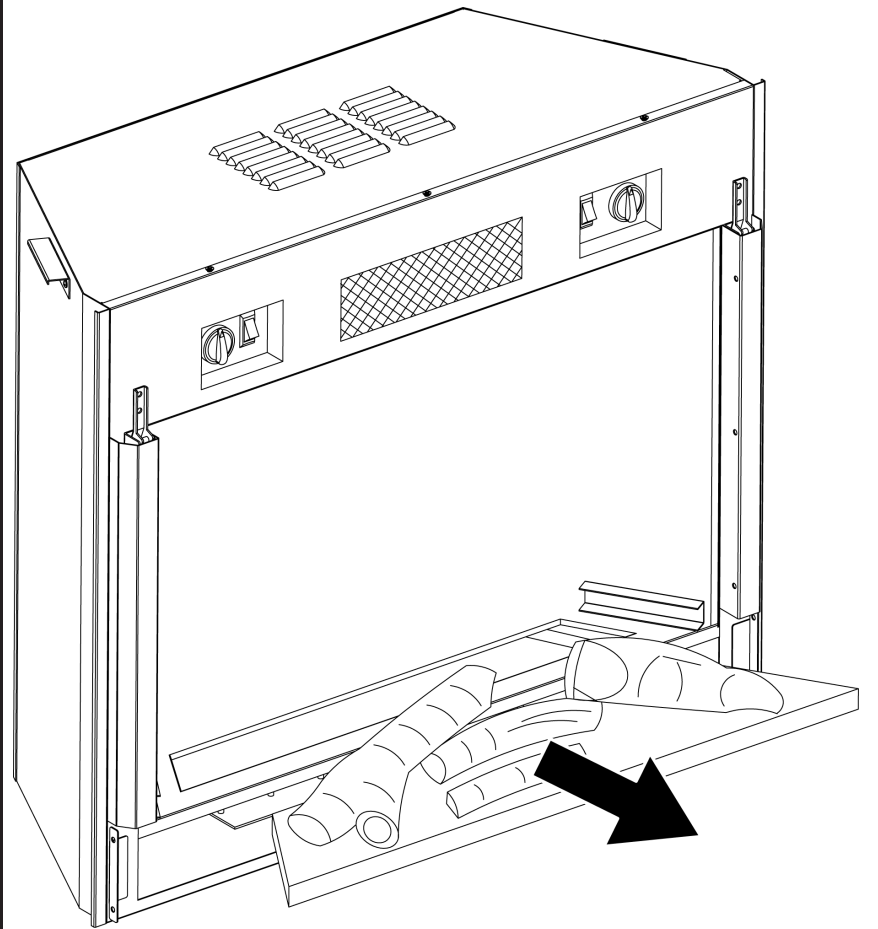


**Replacement Instructions (continued)**

**13** Remove Glass Frame



**14** Unscrew Firebox



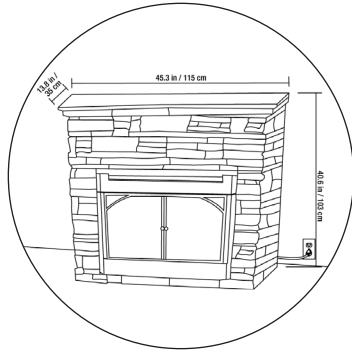
**15** Reassemble Fireplace  
Follow the instructions in reverse to assemble your electric fireplace.

## Operating Instructions

**⚠ Do NOT use an extension cord because the extension cord may overheat and cause a risk of fire.**

### Before Turning "ON"

1. Make sure all packaging and protective films have been removed from the electric fireplace.
2. Electric fireplace should be thoroughly inspected before each use, and by a qualified service person at least annually.



Product size

### Turning "ON"

**⚠ Caution: Keep electric fireplace area clear and free from combustible materials, gasoline and other flammable vapors and liquids.**

**⚠ Caution: Do not obstruct the flow of ventilation air.**

1. Make sure the main power switch (⏻) is in the "OFF" position. (Illustration 1)
2. Plug the power cord into a dry 120V GFI (Ground Fault Interrupter) 3 plug outlet. (Illustration 2)
3. Push the main power switch to the "ON" position. (Illustration 1).
4. Adjust flame control knob (🔥) to the desired setting.

*Note:* If you do not want the flame, turn the flame control knob to the twelve (12) o'clock position.

5. To turn the heat on, push the heat switch (🔥) to the "ON" position.

6. Adjust the heat control knob (🔥) to the desired setting.

*Note:* If you do not want the heat, push the heat switch to the "OFF" position.

*Note:* Fire log brightness can only be controlled by using the remote. There are not separate controls for the fire log brightness on the control panel.

*Note:* When the main power is turned on the fire log brightness is factory set to medium brightness.

### Using Remote Control

*Note:* Once the remote is used, the control panel knobs are disabled.

*Note:* To enable the control panel knobs push the main power switch (⏻) on the control panel to the "OFF" position, wait 5 seconds, then push the main power switch to the "ON" position.

*Note:* The effective range of the remote control is up to 19.7 ft. (6 m).

1. Insert 2 AAA batteries (NOT INCLUDED) into the back of the remote.

*Note:* Do NOT mix old and new batteries.

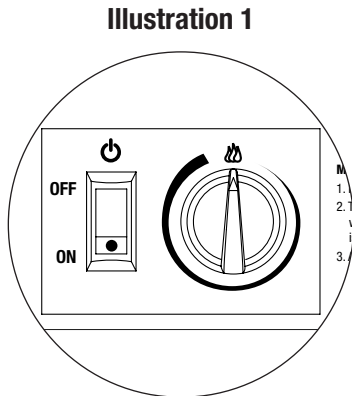
*Note:* Do NOT mix alkaline, standard (carbon-zinc) or rechargeable (nickel-cadium) batteries.

2. If the electric fireplace is unplugged:
  - a. Make sure the main power switch (⏻) is in the "OFF" position. (Illustration 1)
  - b. Plug the power cord into a dry 120V GFI (Ground Fault Interrupter) 3 plug outlet. (Illustration 2)
  - c. Push the main power switch to the "ON" position. (Illustration 3).

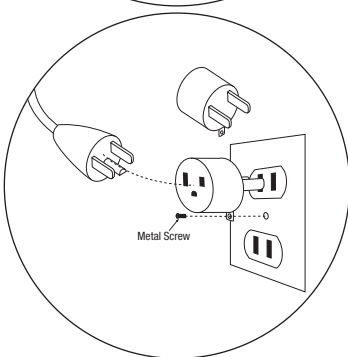
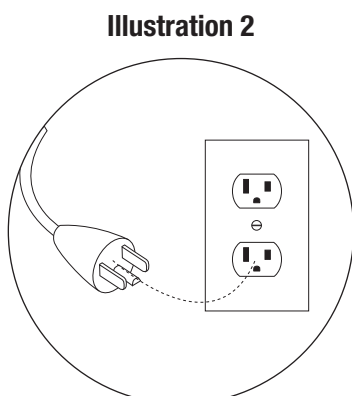
If the electric fireplace is plugged into a dry GFI outlet.

- a. Push the main power switch to the "ON" position. (Illustration 3).
3. To adjust the fire log brightness, press one of the log button (🔥):
    - "+" means more brightness
    - "-" means less brightness.

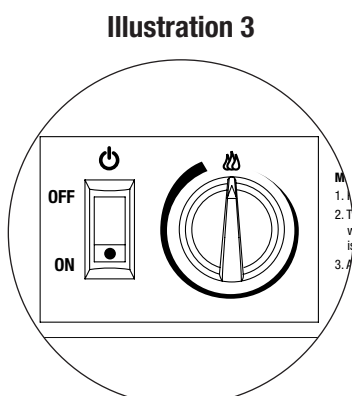
*Note:* Fire log brightness can only be controlled by using the remote. There are not separate controls for the fire log brightness on the control panel.



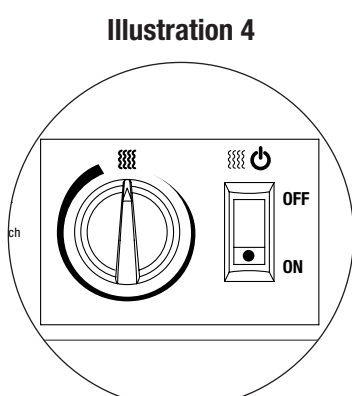
Main Power and flame control.



Connecting the power cord to a dry GFI 3 plug outlet.



Main Power and flame control.



Heat power and heat control.

## Operating Instructions

*Note:* When the main power is turned on the fire log brightness is factory set to medium brightness.

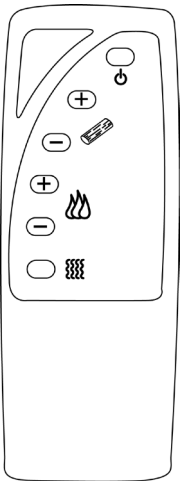
4. To adjust the flame level, press one of the flame button (🔥):
  - "+" means more brightness
  - "-" means less brightness.
5. To turn heat level "ON" / "OFF", press the heat button (🔥).
  - Note:* the button will turn the heat "ON" to the level set by the heat level control knob.
6. Push the power button (⏻) to turn "OFF".

*Note:* This does not turn the entire electric fireplace "OFF", the electric fireplace is in the "standby mode".

### Turning "OFF"

1. Push the main power switch (⏻) to the "OFF" position.
2. Unplug the power cord from the wall outlet.

Illustration 5



Infrared remote.