

# ASSEMBLY INSTRUCTION

## ASSEMBLY TIPS:

- 1.Remove hardware from box and sort by size.
- 2.Please check to see that all hardware and parts are present prior to start of assembly.
- 3.Please follow attached instructions in the same sequence as numbered to assure fast & easy assembly.






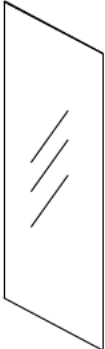





### Warning!!




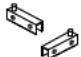












- 1.Don't attempt to repair or modify parts that are broken or defective. Please contact the store immediately.
- 2.This product is for home use only and not intended for commercial establishment.

ASSEMBLY TIME PER UNIT: 50 MINUTES

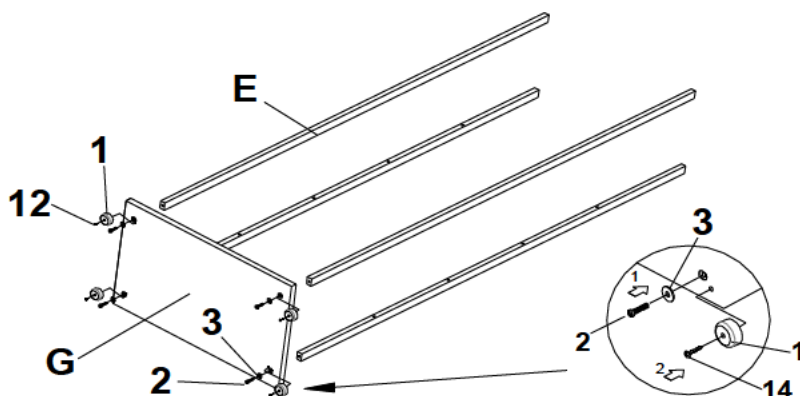
## PARTS IDENTIFICATION

<p>A</p> <p><b>DOOR GLASS</b></p>  <p>2PCS</p>	<p>D</p> <p><b>PLASTIC BAR</b></p>   <p>2PCS</p>
<p>B</p> <p><b>SIDE GLASS</b></p>  <p>2PCS</p>	<p>E</p> <p><b>SHELF SUPPORT</b></p>  <p>4PCS</p>
<p>C</p> <p><b>BACK GLASS</b></p>  <p>1PC</p>	<p>F</p> <p><b>TOP WOOD PANEL</b></p>  <p>1PC</p>
	<p>G</p> <p><b>BOTTOM WOOD PANEL</b></p>  <p>1PC</p>
	<p>H</p> <p><b>GLASS SHELF</b></p>  <p>4PCS</p>

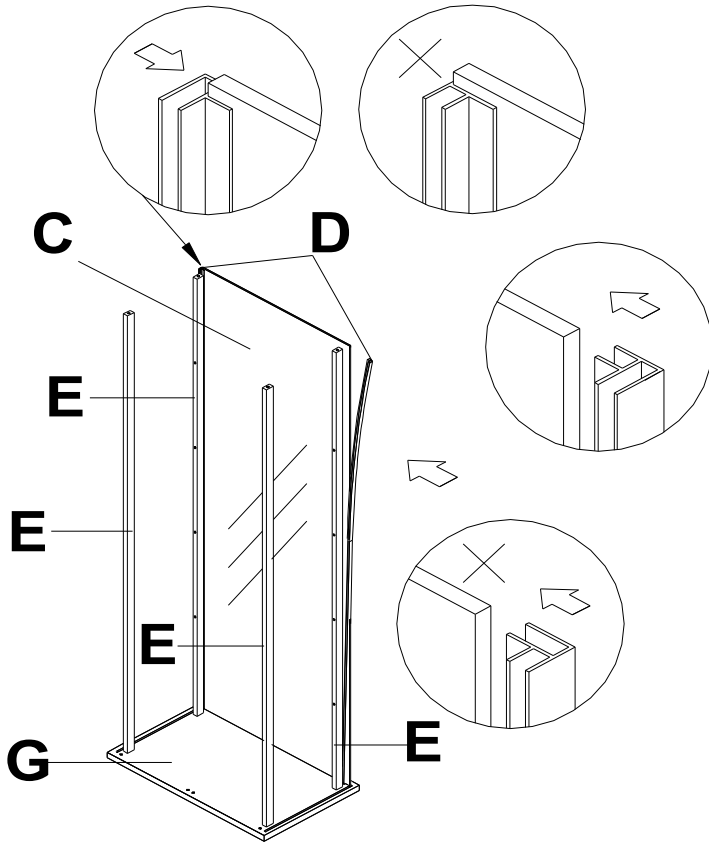
## HARDWARE PACKAGE

Z	DESCRIPTION	FIGURE	Q'TY
1	PLASTIC FEET ( $\phi$ 44x18mm)		4PCS
2	ALLEN BOLT-LARGE (1/4"x1-3/4")		8PCS
3	WASHER (1/4"x16mm)		8PCS
4	HINGE (40mm)		4PCS
5	HINGE INSERT ( $\phi$ 12x9mm)		4PCS
6	METAL WITH ADHESIVE (38mm)		4PCS
7	SMALL BOLT ( $\phi$ 7x6mm)		8PCS
8	PLASTIC MAGENT (19mm)		4PCS
9	HANDLE (40mm)		2PCS
10	METAL CONTACT (40mm)		2PCS
11	ADHSIVE (38x42mm)		4PCS
12	SCREW (7#x22mm)		4PCS
13	ALLEN KEY (4mm)		1PC
14	SUCTION CUP ( $\phi$ 20x28mm)		16PCS
15	BOLT ( $\phi$ 8x30mm)		16PCS
16	STICKER ( $\phi$ 20mm)		4PCS

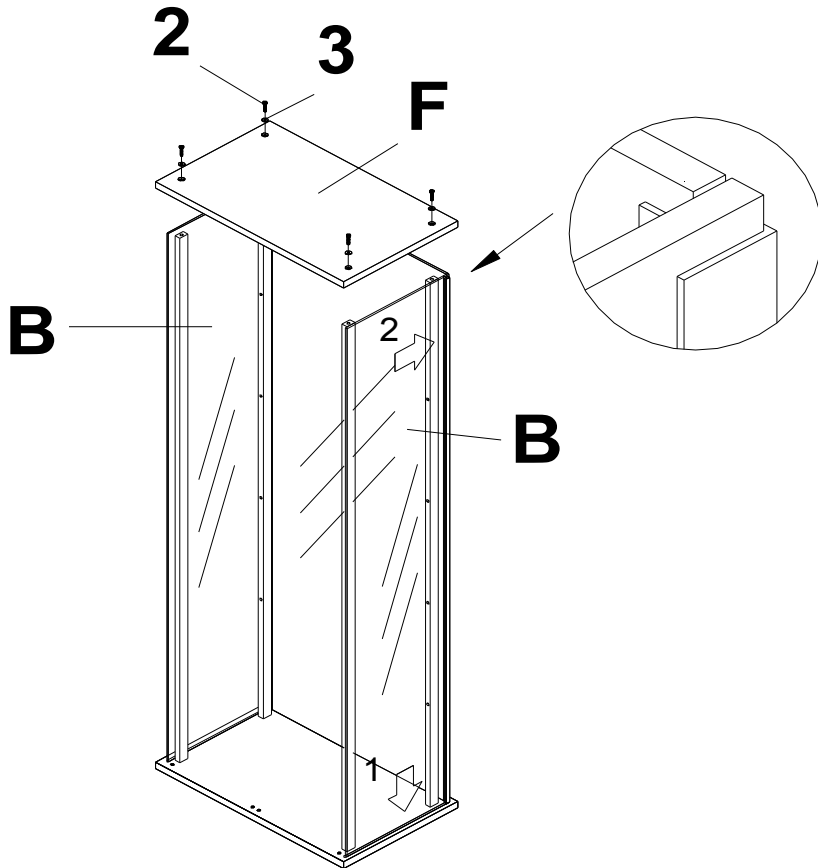
### STEP 1



**STEP 2**



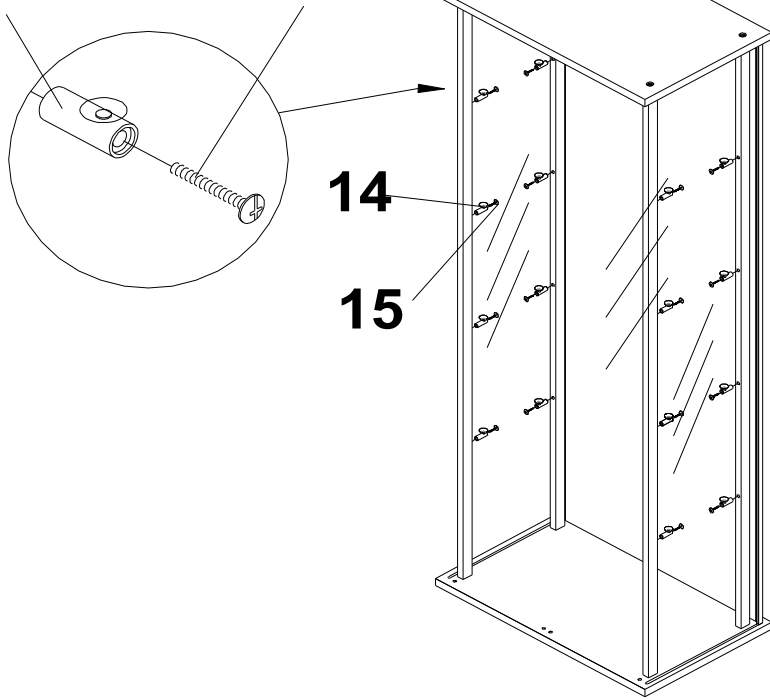
**STEP 3**



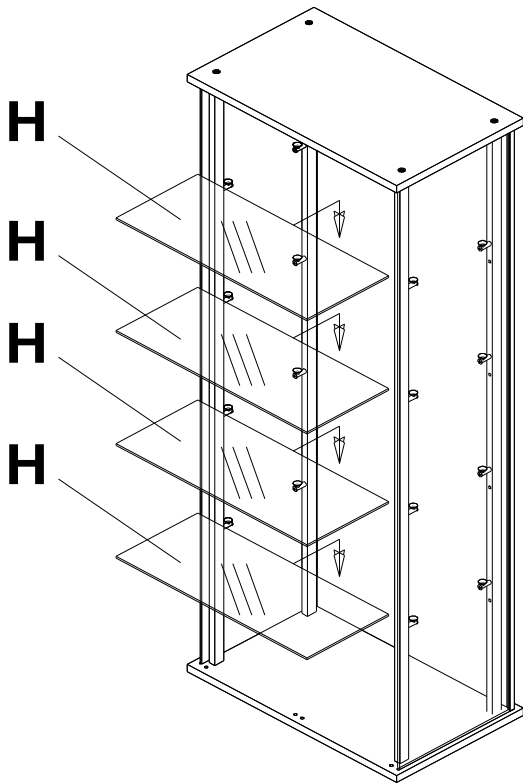
**STEP 4**

**14**

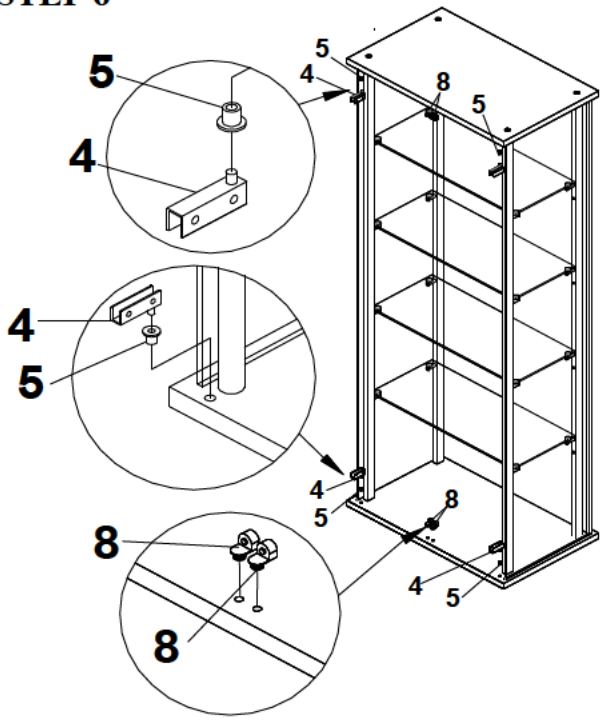
**15**



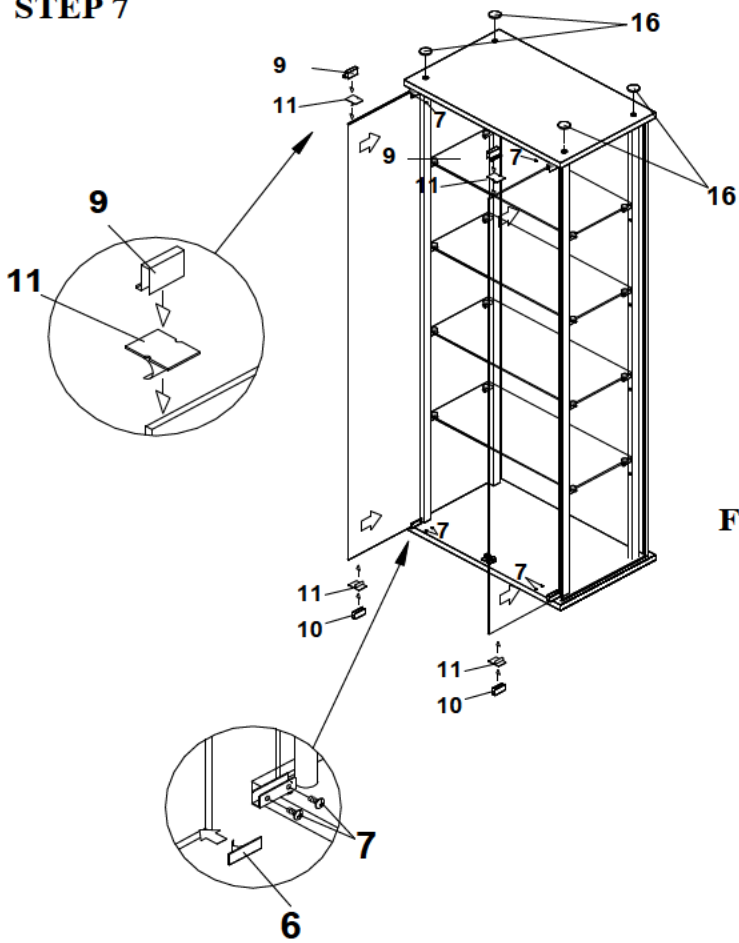
**STEP 5**



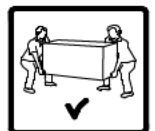
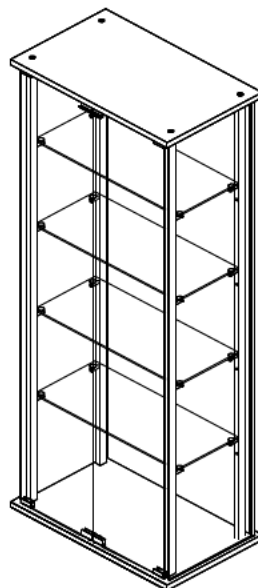
**STEP 6**



**STEP 7**

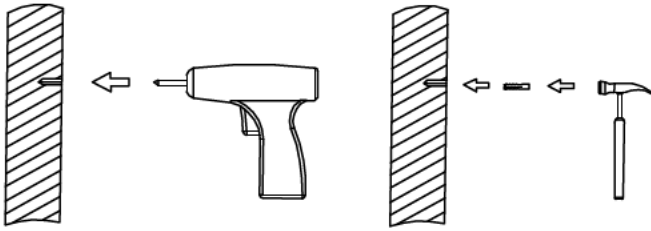


**FINISH**

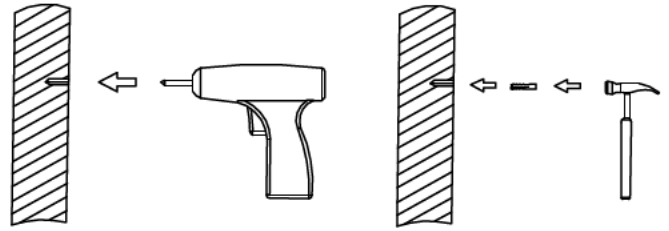
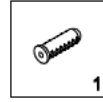


# Assembly Instruction of Anti-tipping hardware

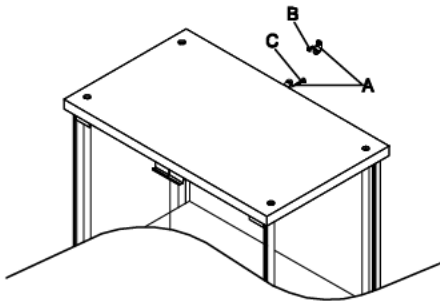
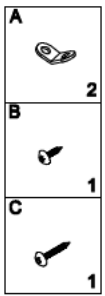
STEP 1



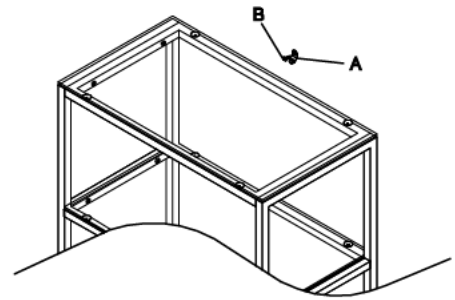
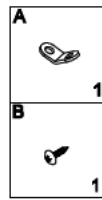
STEP 1



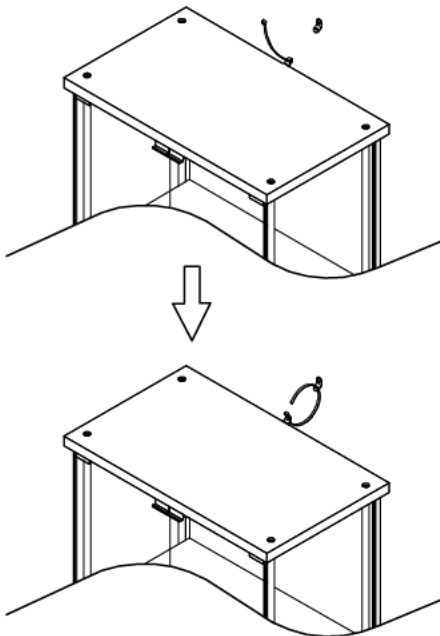
STEP 2



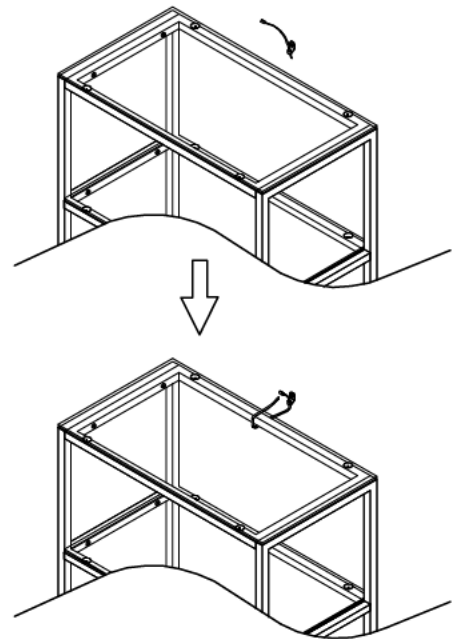
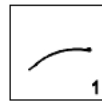
STEP 2



STEP 3



STEP 3



## WARNING

Injury may result from tipping furniture  
This restraint is not a substitute for proper adult supervision.  
This restraint may provide protection against tipping furniture.  
Do not allow children to climb on furniture.  
Failure to detach this restraint before moving furniture may  
result in injury and damage.