

# ASSEMBLY INSTRUCTION

## 58"W BOOKCASE

**A** Allen Wrench    **B** Bolt    **C** Side Frame    **D** Cross Bar



1PC



40PCS

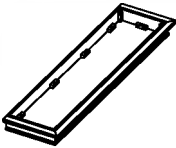


3PCS

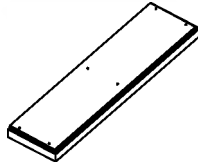


1PC

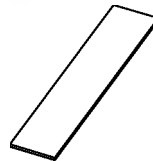
**E** Top Panel    **F** Bottom Panel    **G** Shelf    **H** Tip Restraint kit



1PC



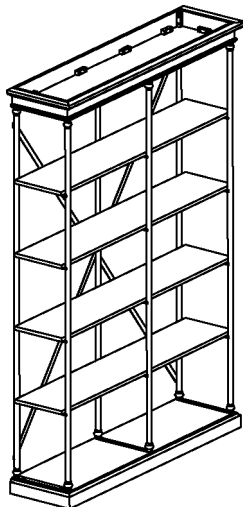
1PC



4PCS

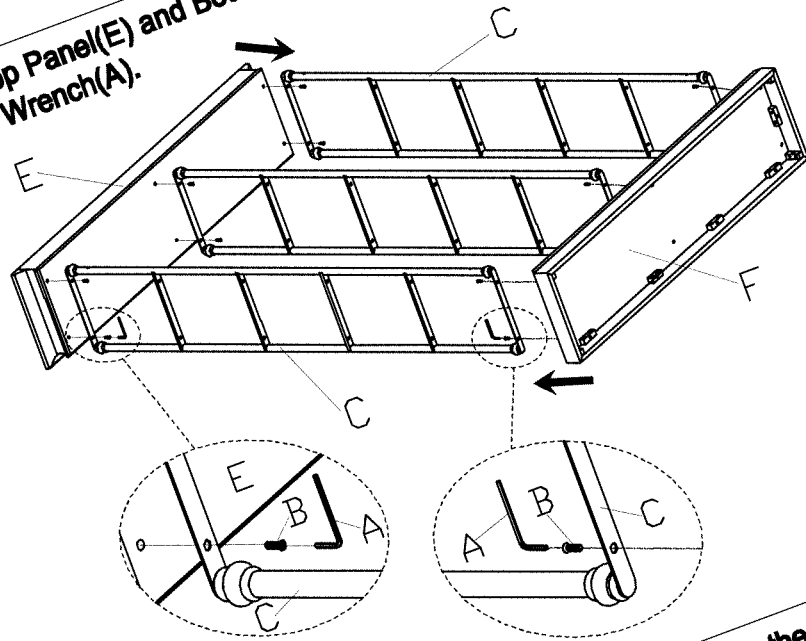


1PC

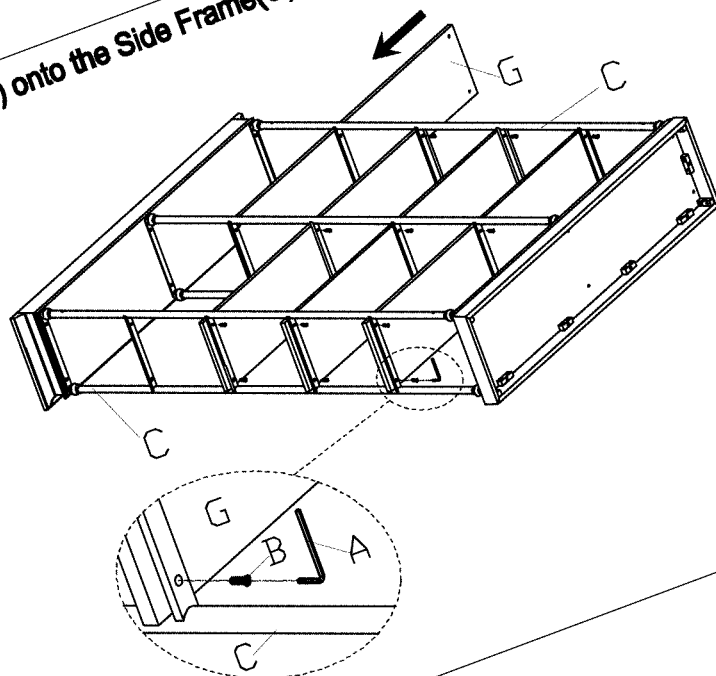


This page lists all the contents included in the box. Please take the time to identify the hardware as well as the individual components to this product. As you unpack and prepare for assembly, place the contents on a carpeted or padded area to protect them from damage.

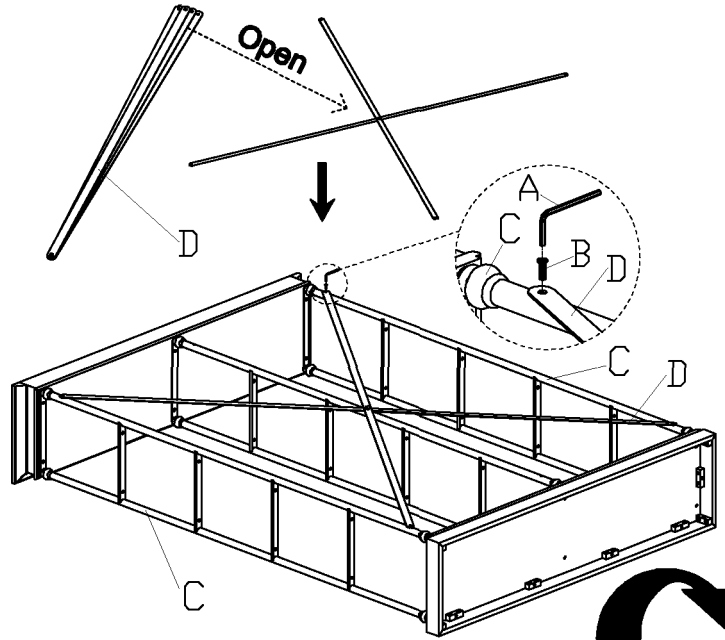
**1** Assemble the Top Panel(E) and Bottom Panel(F) onto the Side Frame(C), then using the Bolt(B) by Allen Wrench(A).



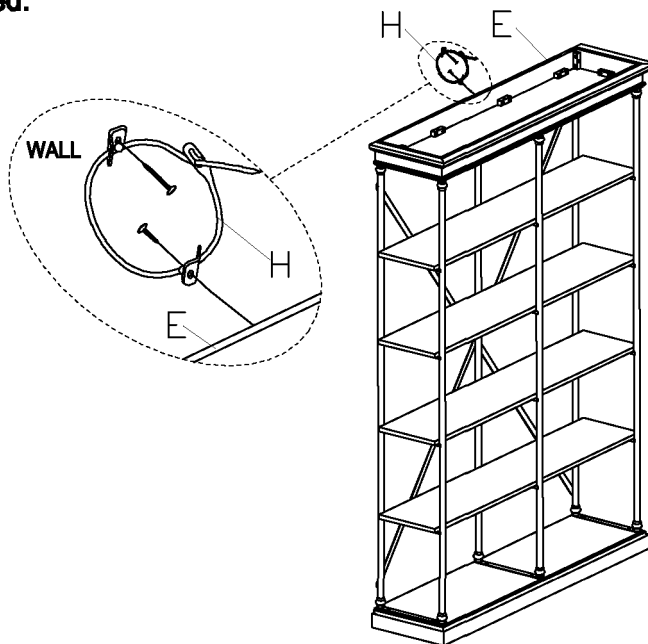
**2** Assemble the Shelf(G) onto the Side Frame(C) and using the Bolt(B) by Allen Wrench(A).



- 3** Open the folding Cross Bar(D) and assembly the Cross Bar(D) onto the Side Frame(C) and using the Bolt(B) by Allen Wrench(A). And tighten Cross Bar(D) before set up shelf.



- 4** Assembly the Tip Restraint kit(H) between the Top Panel(E) and the wall. The assembly is completed.



### Cleaning & Care

Treat surface with care. Surface is resistant to scratches but is not scratch resistant. Clean surfaces with a dry or damp soft cloth. Do not use abrasive cleaners. Hardware may loosen over time. Periodically check that all connections are tight.