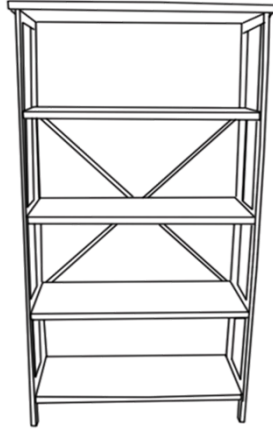


# Assembly Instructions

**Caution : You must read this before you proceed**

NOTE: It is recommended that you have a partner to assist during the entire assembly process.


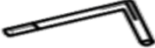
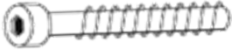

## Bookcase






### Parts List

Label	Picture	Description	QTY
A		Top Wooden Shelf	1
B		Shelf	4
C		Left Frame	1
D		Right Frame	1
E		"X" Iron Stretcher	1

# Hardware

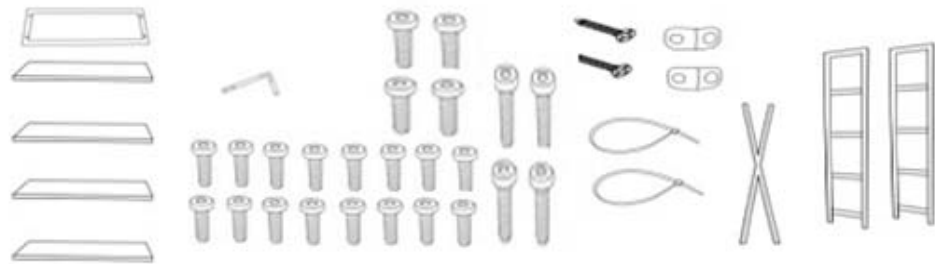
Label	Picture	Description	QTY
①		Bolt (M6*15)	18
②		Allen Key (M6)	1
③		Bolt (M6*40)	5
④		Bolt (M6*15)	5

## Cabinet Restraint Device Hardware

⑥		Screws (5cm Self Tapping)	2
⑦		L-shape Metal Brackets	2
⑧		Cabinet Restraint Strap	2

## Assembly Preparation

Before Beginning Assembly:



- Read instructions, cover to cover-



- Have 2 adults on hand for assembly-



- Do not assemble on flooring or carpet-



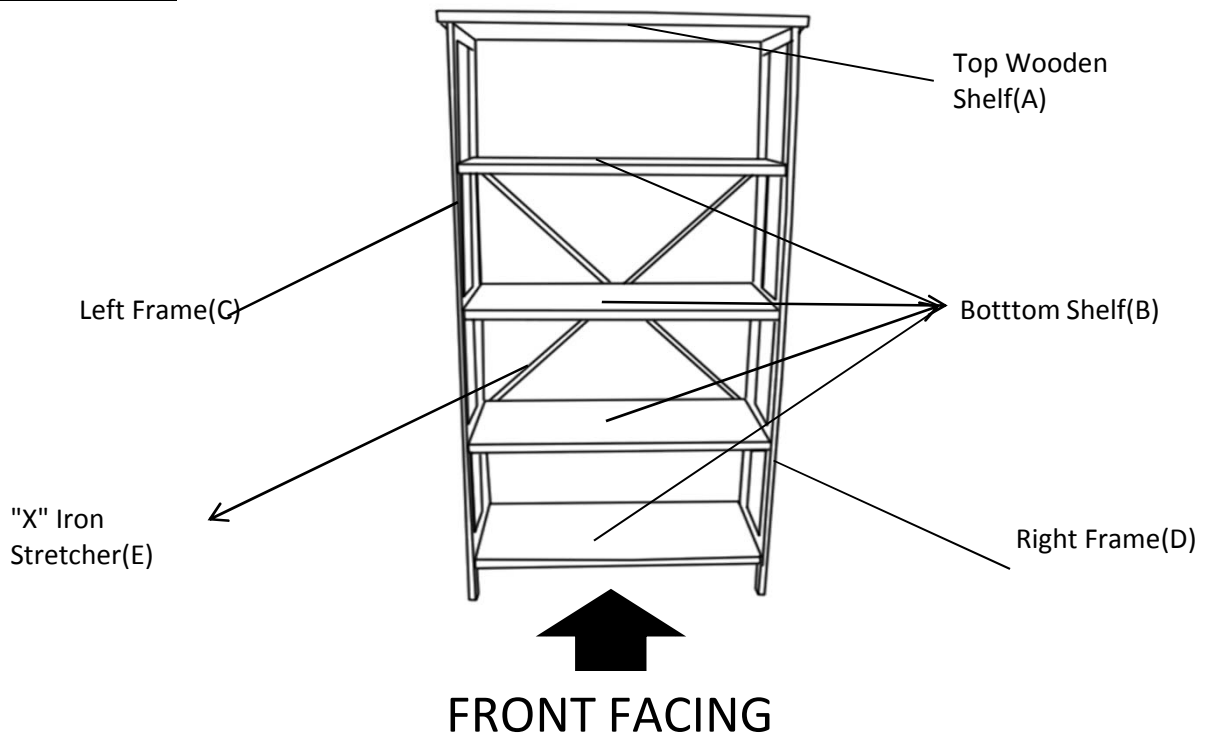
- Assemble on a clean non-marring surface (packing foam)-



- Save all packaging until finished-

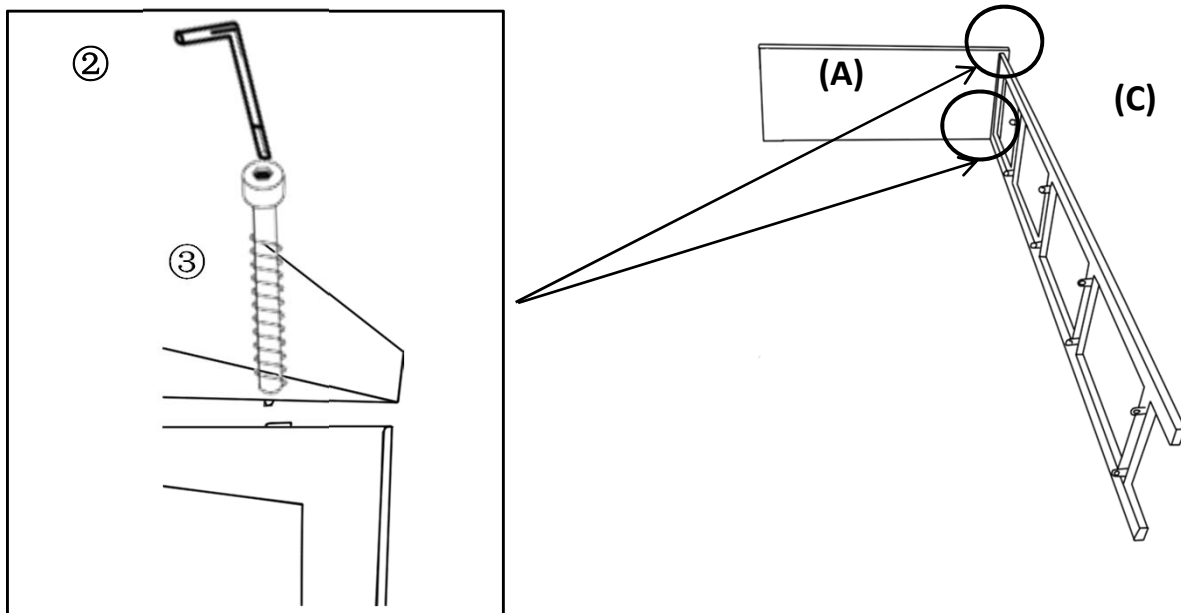
# Assembly Steps

## Overview



This Bookcase has multiple parts and may require up to 30 minutes to assemble. To give you an overview of the Bookcase parts, the above picture is to help you put the various parts into perspective. Please read through the instructions herebelow to familiarise the parts and steps before assembly.

## Step 1



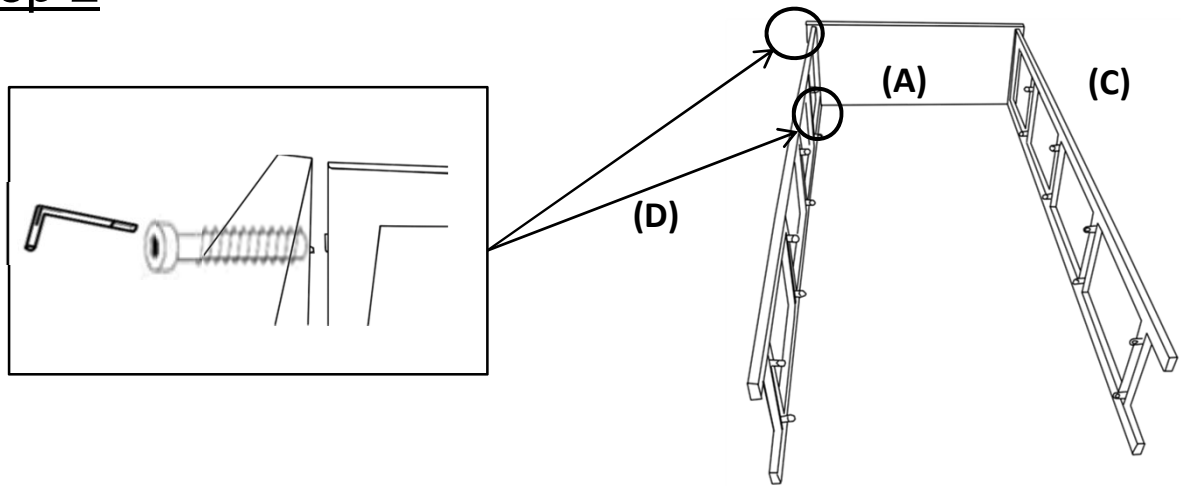
Open the carton and place all parts onto a clean, non-marring surface.

Place the Left Frame(C) on it's side as shown.

Attach Top Wooden Shelf(A) first to Left Frame(C), with pre-attached nut is upward, using Bolts(2) with Allen Key(3).

**Only do not fully tighten the Bolts.**

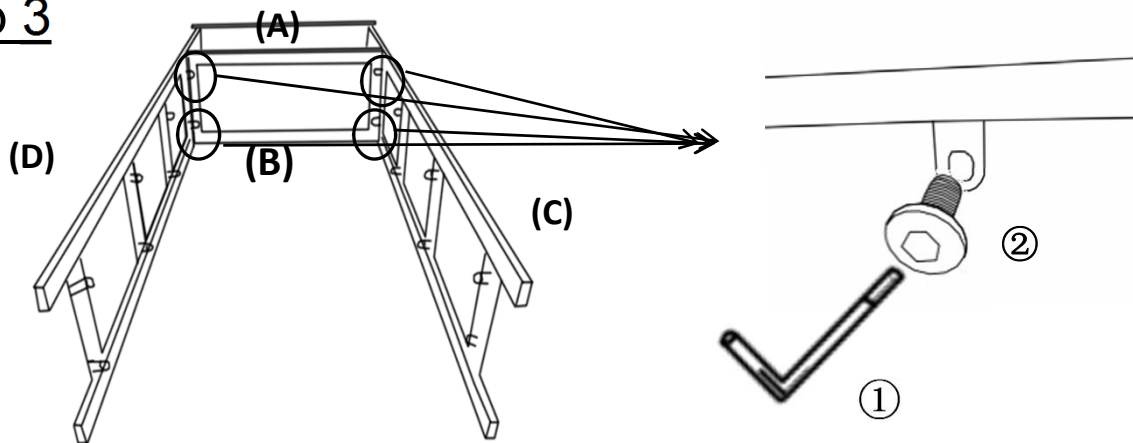
## Step 2



Attach Right Frame(D), with pre-attached nut is upwards, using Bolts(②) with Allen Key(③).

**Only loosely tighten the Bolts.**

## Step 3

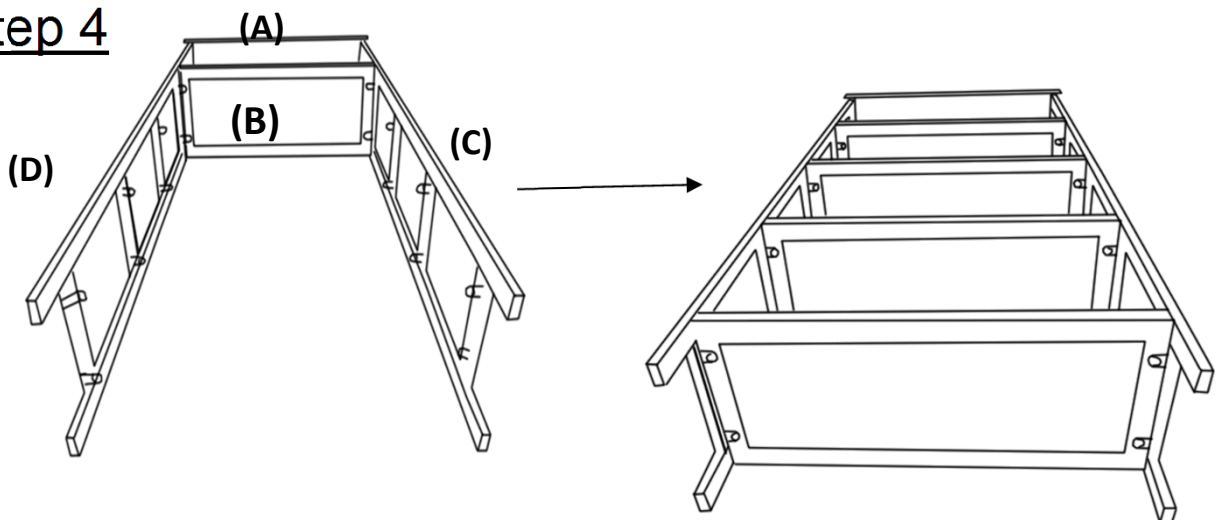


Place the Bookcase face down as shown.

Attach Wooden Shelf(B) to Left Frame(C) and Right Frame(D) using Bolts(①) with Allen Key(②).

**Only loosely tighten the Bolts.**

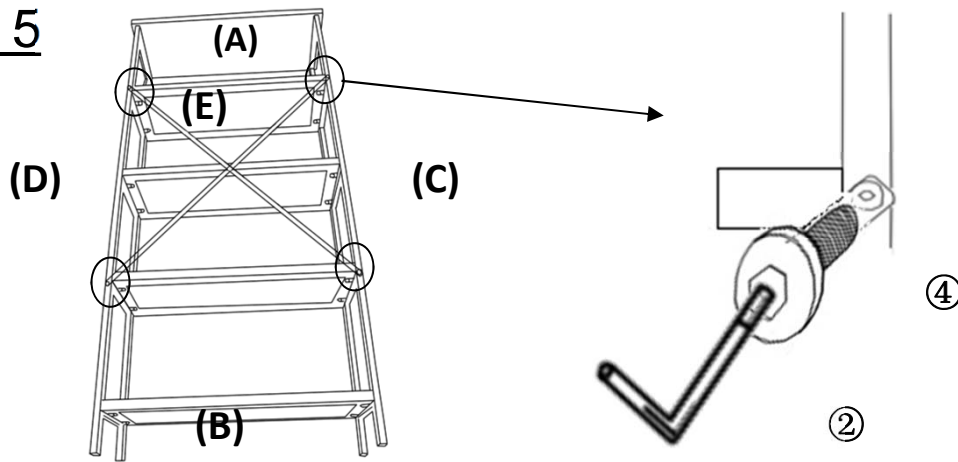
## Step 4



Repeat the process from Step 3 to attach the remaining Wooden Shelves.

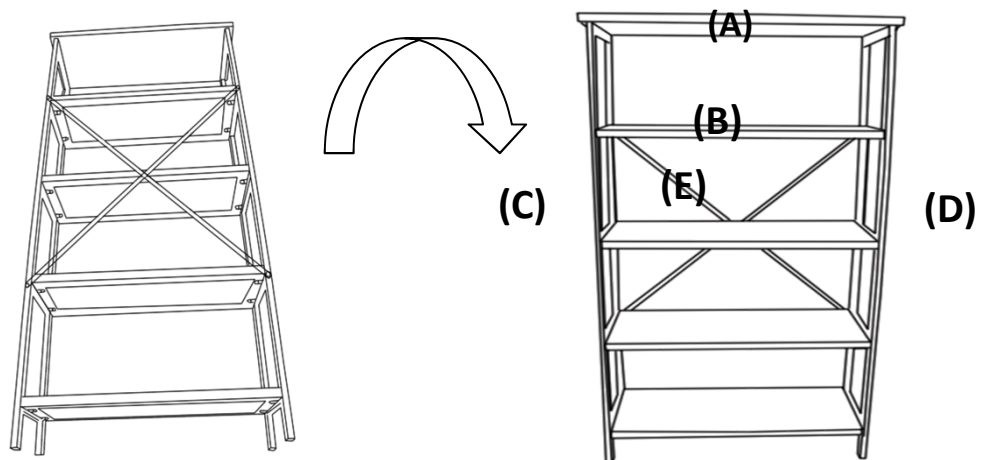
**Only loosely tighten the Bolts.**

## Step 5



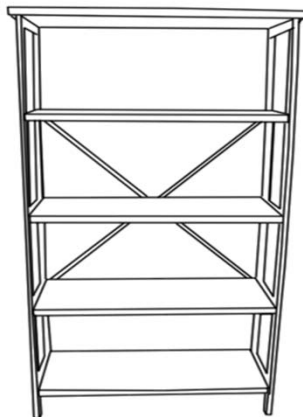
Rotate the "X" Iron Stretcher(E) to the required position as shown.  
Attach "X" Iron Stretcher(E) to the Bookcase(E) using Bolt(4) with Allen Key(2).  
**Only loosely tighten the Bolts.**

## Step 6



Tighten all Bolts, And Stand the Console up as shown. Then Check for stability .  
**DO NOT fully tighten a BOLT in one go and then move on to the next.**  
**Rather, in a sequential manner, gradually tighten each Bolt until all Bolts are evenly secured. This methodology will ensure maximum evenness once all Bolts are fully tightened.**  
**Note: This step is done better with the assistance of a second adult.**

## Step 7



Your Bookcase is ready for use.  
This Bookcase can only be used on a flat, level surface.

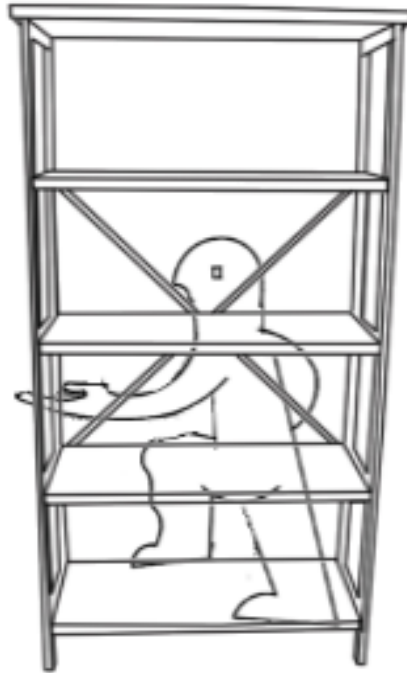


## WARNING

Serious or fatal crushing injuries can occur from tipping furniture.

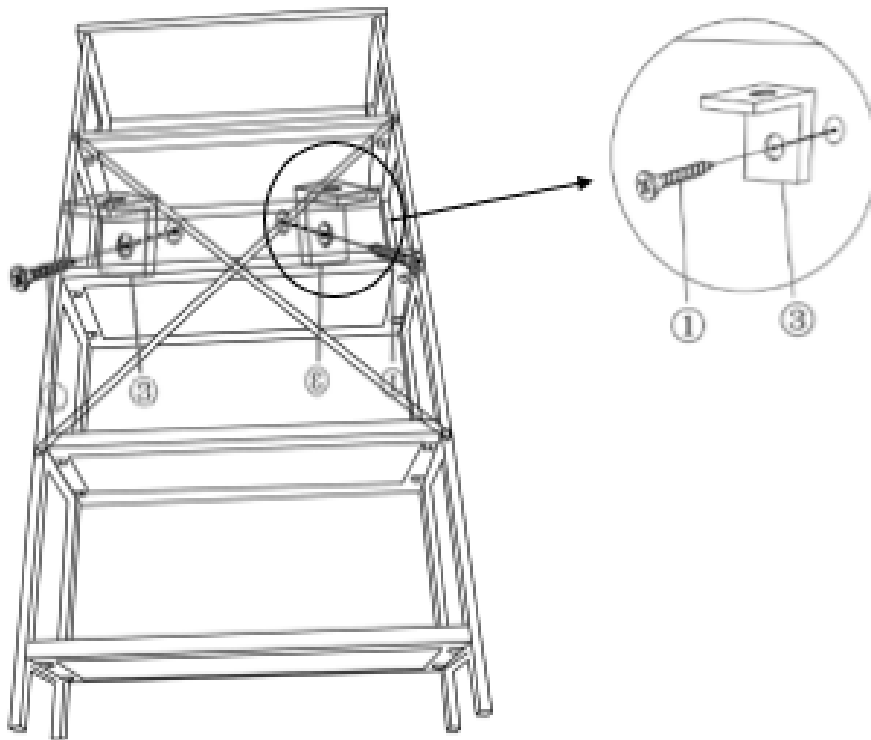
To help prevent tip-over: **ALWAYS** secure this furniture to the wall using Cabinet Restraint Device.

See product instructions for more ways to help prevent furniture tip-over.

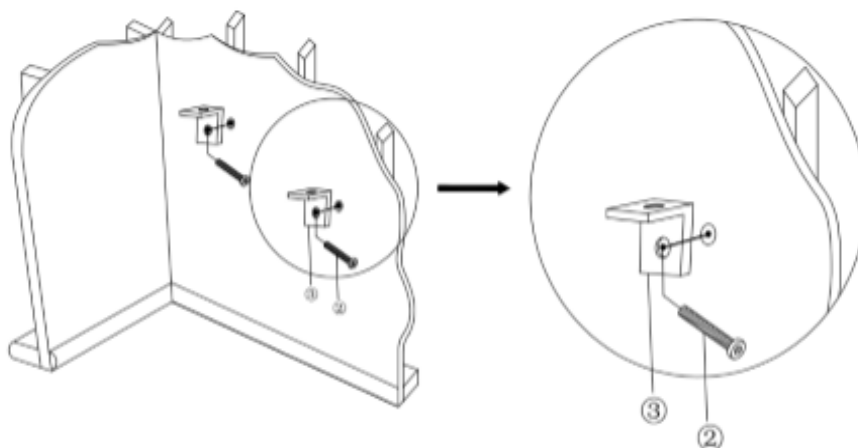


### Usage For Cabinet Restraint Device:

For Cabinet against wall, fix 2pcs Metal Brackets(③) on wall and 2pcs Metal Brackets(③) on product, use Cabinet Restraint Strap(④) to connect the Metal Bracket(③) on wall and product. Find details as below:



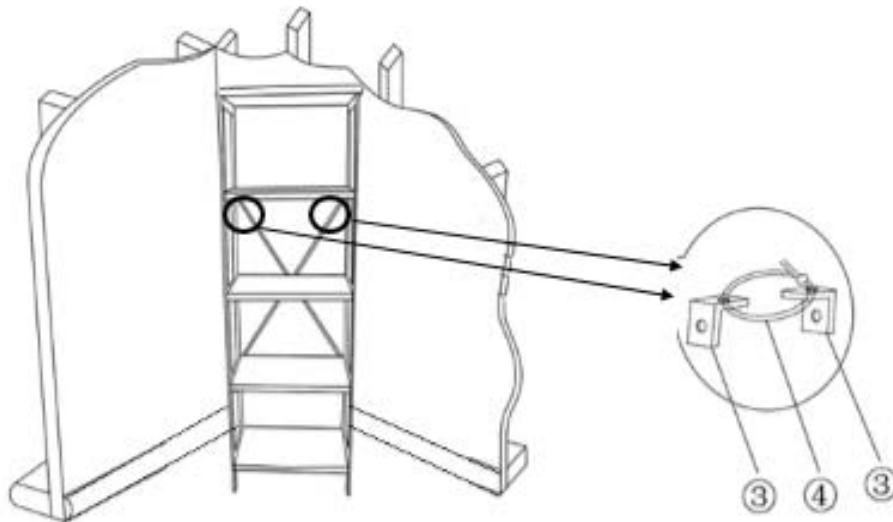
**A:** Firstly, turn back the bookcase outwards as shown above. Then fix one Metal Bracket (③) on the marked place on the back of console by the 2.0cm Self Tapping Screw(①) . **The mark will be different based on products.** Repeat this step to fix another Metal Bracket (③) on product, as shown above.



**B:** Find out the screw holes on the wall. First, mark the point at same height as L-shaped Metal Bracket (③) on product. You can find these same points in two ways as below:

1. Move the Bookcase back to the wall, make these points on the wall and product are at same height

2. Measure the height of the Metal Bracket on the wall by ruler, keep them accurately and same height on the bookcase.”























**C:** Move the Console against the wall. Then pull the Bookcase Restraint Strap(④) through two Metal Brackets(③) one by one, lock tight the Bookcase Restraint Strap(④), as shown above.

Bookcase Restraint Device is installed and Console is ready for use.

This Bookcase can only be used on a flat, level surface.



## Care & Maintenance

-   ● Do not put hot items directly on furniture surface
  -   ● Do not clean furniture with harsh cleansers or polish.
  -   ● Do not place furniture under direct sunlight.
  -   ● Do not place furniture near heating or cooling vents.
  -   ● Do not write on furniture without a padded barrier to protect the surface.
  -   ● Do not place furniture outside . For indoor use only .
  -   ● Not for commercial use. For residential use only .
  -   ● Stains may be removed with mild soap solution and damp cloth.
  -   ● Children should not climb or jump on the furniture.
- 
-   ● Dust and pick-up spills using a clean, non-colored, lint-free cloth .

### What is Proposition 65?

Proposition 65 is a California law that requires warning labels on products that may contain one of more than 800-plus chemicals or ingredients that the California Office of Environmental Health Hazard Assessment (OEHHA) has deemed to cause cancer or other reproductive toxicity. Chemicals and elements on this list include wood dust, brass, and other everyday substances, which can be found in very common household items, such as: lamps, tableware, jewelry, crystal glasses, electric cords, beauty products, automobiles, and furniture.

### Why Did I Find a Proposition 65 Warning on My Home Goods Product?

We include Proposition 65 warnings on all of our products because there is always a chance that one of the 800-plus common chemicals and ingredients listed under this law could potentially be on our furniture or packing materials. We risk large fines under this law, if we don't include this warning.

### Should I worry?

We realize you may be worried finding this warning on our products, but we want to reassure you that the hazardous exposure limits for any of these chemicals have never been found on furniture products that we've shipped to our customers. Additionally, this warning label is very common and can be found on almost every piece of furniture sold in the state of California.

### Just How Common Are Proposition 65 Warnings?

Proposition 65 warnings have become so common in California that it is hard to take a trip to a local bank, grocery store, or restaurant without finding at least one warning. In fact, even the Disney Land Resort has a Proposition 65 warning:

