

# ACRYLIC SHOWER BASES

## INSTALLATION INSTRUCTIONS

### THANK YOU FOR YOUR BUSINESS

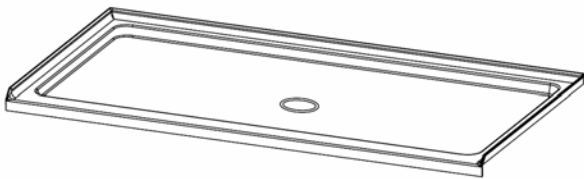
*Thank you for your trust on WET REPUBLIC® product! We can assure you that our product can meet the highest quality standard as we only use the best materials and apply strictest quality control system in this industry.*

*This manual contains general instructions of installing our units. It is important to follow closely this instruction step-by-step to ensure proper installation of your shower.*

#### Center Drain (shown)

WR-SB48-32-WCD-1

WR-SB48-36-WCD-2



#### Left-hand / Right-hand Drain (shown)

WR-SB60-30-WLD-4

WR-SB60-30-WRD-5



**Please read these instructions carefully before installing.**

**Save this guide for future reference.**

**For any questions regarding installation, please contact our technical support specialists Monday through Friday 8:00 AM – 6:30 PM EST at: Phone: 1-888-895-1989 or email us at [Info@WetRepublicDesigns.com](mailto:Info@WetRepublicDesigns.com). For more information, on WET REPUBLIC® shower bases, please visit [www.WetRepublicDesigns.com](http://www.WetRepublicDesigns.com).**

**Record the product serial number here !**

**Serial number:**

\_\_\_\_\_

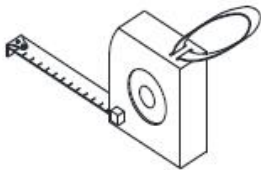
## PREPARATION

1. Prior to installation, examine all boxes and packages for shipping damage and compare the piece count with your packing slip. After opening all boxes and packages, read this introduction carefully. Check that all of the needed parts are included in the package by checking off the components on the “Detailed Diagram of Shower Door Components”. If the unit has been damaged, has a finishing defect, or has missing parts, please contact our customer support department within 3 business days of the delivery date. Please note that WET REPUBLIC® will not replace any damaged products or missing parts free of charge after 3 business days or if the product has been installed. Feel free to contact WET REPUBLIC® if you have any questions, and please provide an order number, job name or other proof of purchase to help us identify your original order.
2. Install all of the required plumbing and drainage before installing the shower base. Use a competent and licensed (if required by local code) plumber for all plumbing installation.
3. Shower bases must be installed by a licensed plumber. Please note that you should consult your local building codes with questions on installation compliance standards. Building and plumbing codes may vary by location and WET REPUBLIC® is not responsible for code compliance standards for your project.
4. Please insure that prior to the installation the installation surface is leveled and solid and will be able to support the total weight of the unit. Also make sure the walls are at right angles. While some adjustment in leveling of the tray is possible, irregular installation surface level or improper angle of side walls will result in serious problems for your installation. Please, note that some adjustments may be necessary during the installation process.

### IMPORTANT NOTE:

Dimensions provided are for reference only. Measure the actual shower tray before installation. This includes overall dimensions and drain location. Allowed tolerance for center of the drain is +/-1/2".

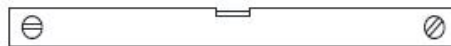
## TOOLS REQUIRED



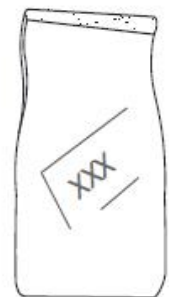
Tape  
Measure



Pencil



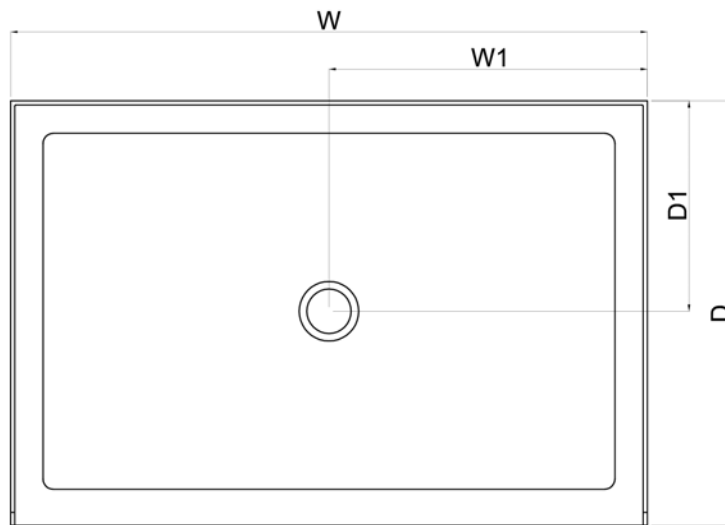
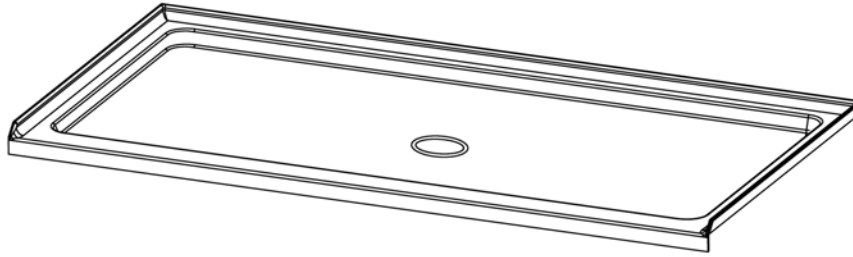
Level



Mortar

# SHOWER BASE DIMENSIONS

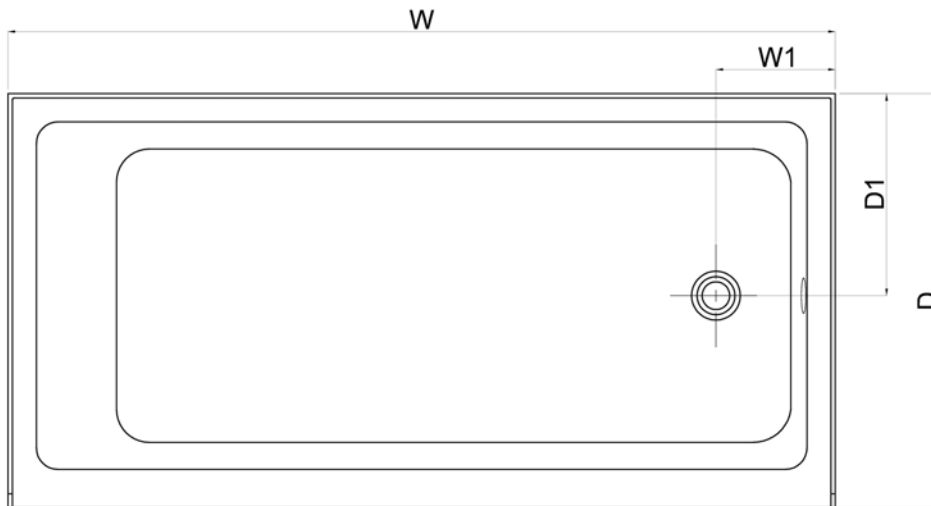
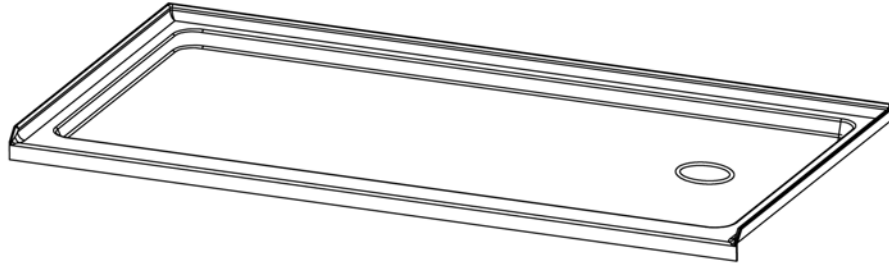
## CENTER DRAIN



| MODEL            | DIMENSION (in) | D (in) | W (in) | D1 (in) | W1 (in) |
|------------------|----------------|--------|--------|---------|---------|
| WR-SB48-32-WCD-1 | 48" x 32"      | 32"    | 48"    | 15 7/8" | 24"     |
| WR-SB48-36-WCD-2 | 48" x 36"      | 36"    | 48"    | 17 7/8" | 24"     |

# SHOWER BASE DIMENSIONS

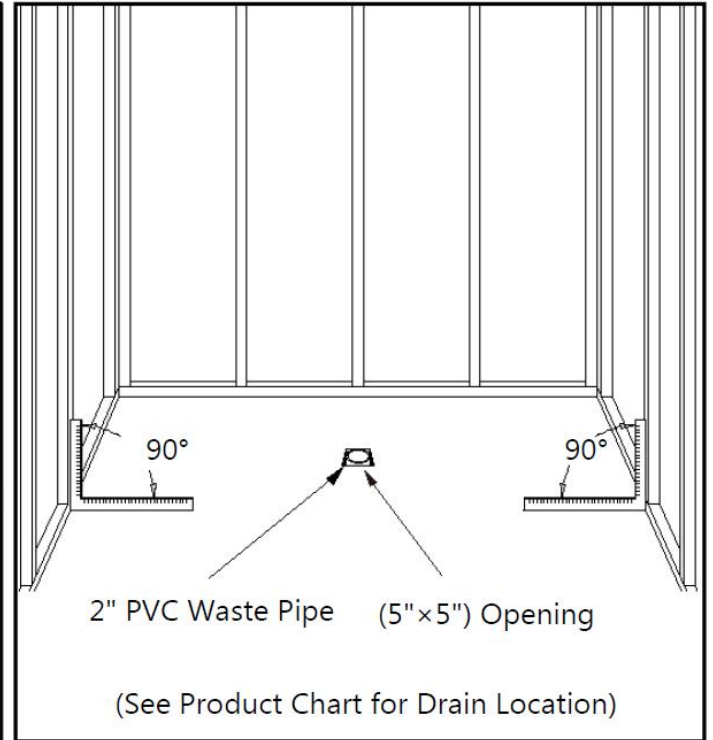
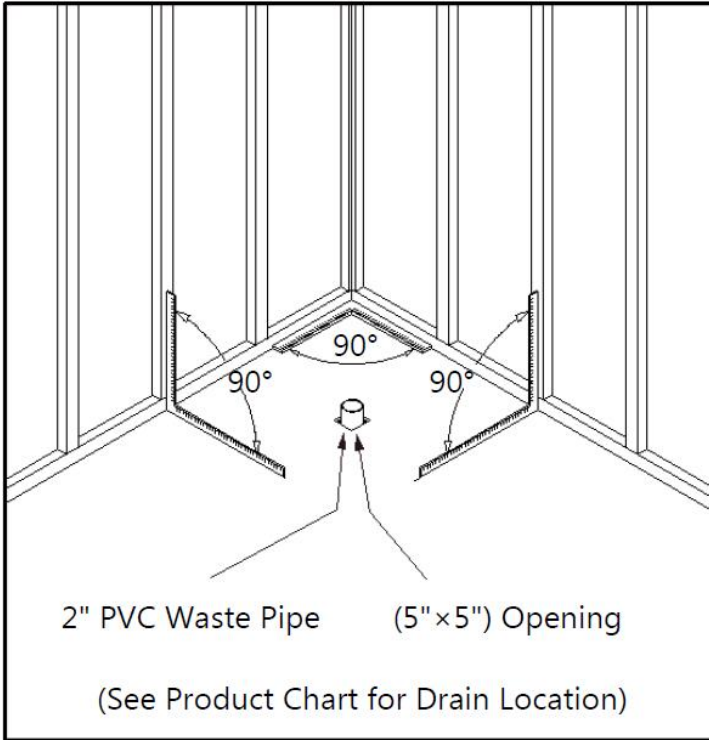
## LEFT-HAND / RIGHT-HAND DRAIN



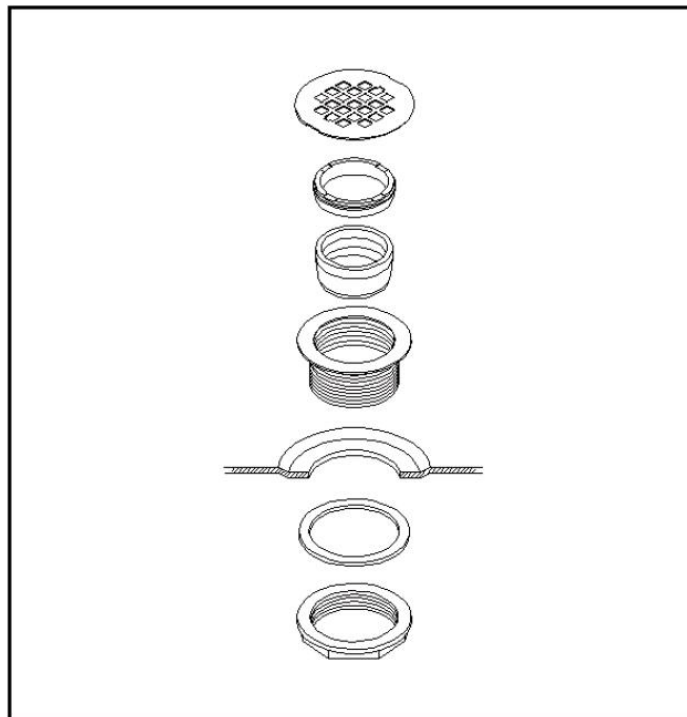
| MODEL            | DIMENSION (in) | D (in) | W (in) | D1 (in) | W1 (in) |
|------------------|----------------|--------|--------|---------|---------|
| WR-SB60-30-WLD-4 | 60" x 30"      | 30"    | 60"    | 14 7/8" | 11 3/4" |
| WR-SB60-30-WRD-5 | 60" x 30"      | 30"    | 60"    | 14 7/8" | 11 3/4" |

# SHOWER BASE INSTALLATION

1. Ensure that the floor and the studs are at right angles. Provide a 5"×5" opening in the subfloor for the drain. The 2" PVC waste pipe should extend above the surface of the sub-floor according to the drain installation instructions and the height of the Shower base. Refer to the product drawings and tables in these installation instructions for the drain location. (See below figures)

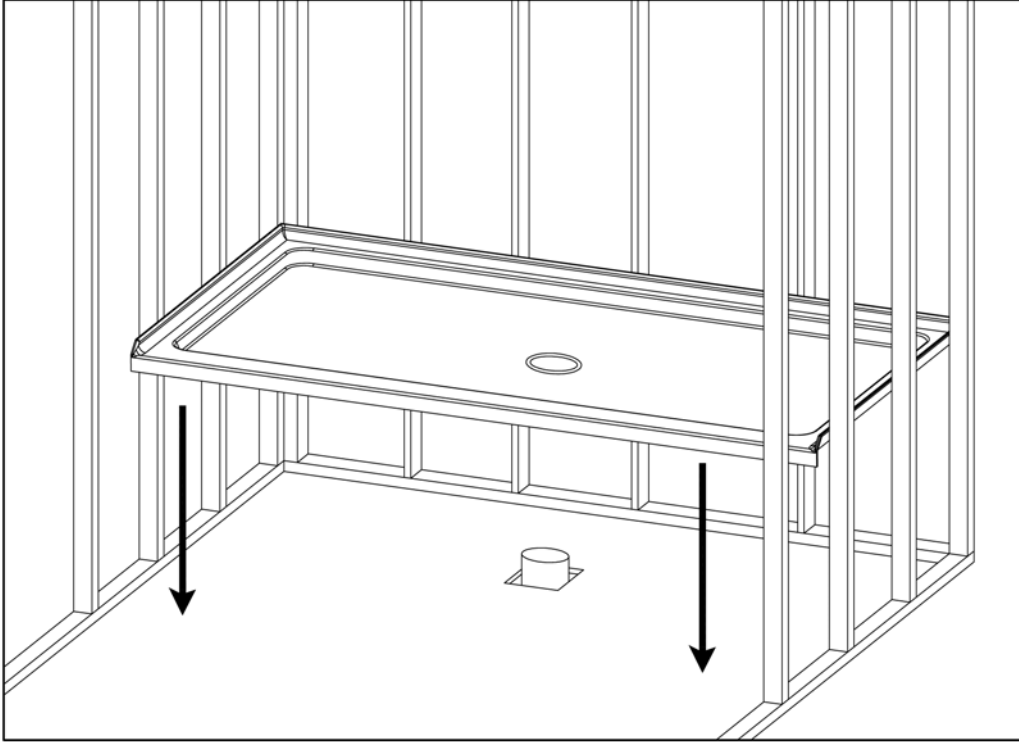


2. Install the shower drain (**NOT INCLUDED**) according to the drain installation manual (supplied with the drain).

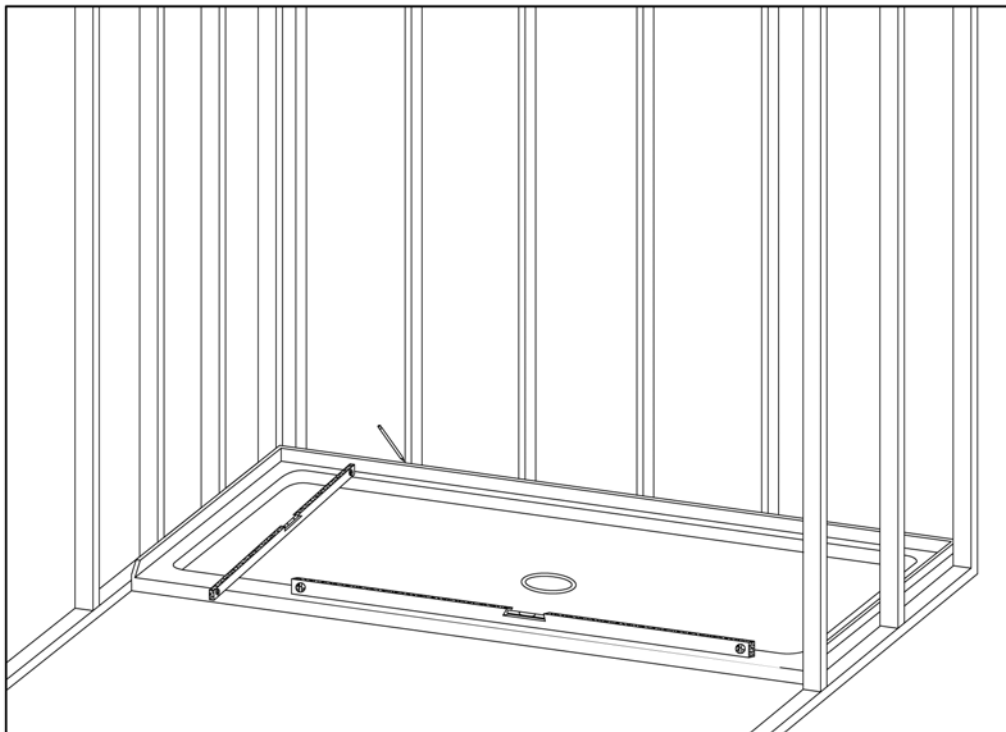


## SHOWER BASE INSTALLATION

3. Place the tray into the designated position so that the Drain Body drops around the Drain Pipe and butt the Shower Base against the studs.

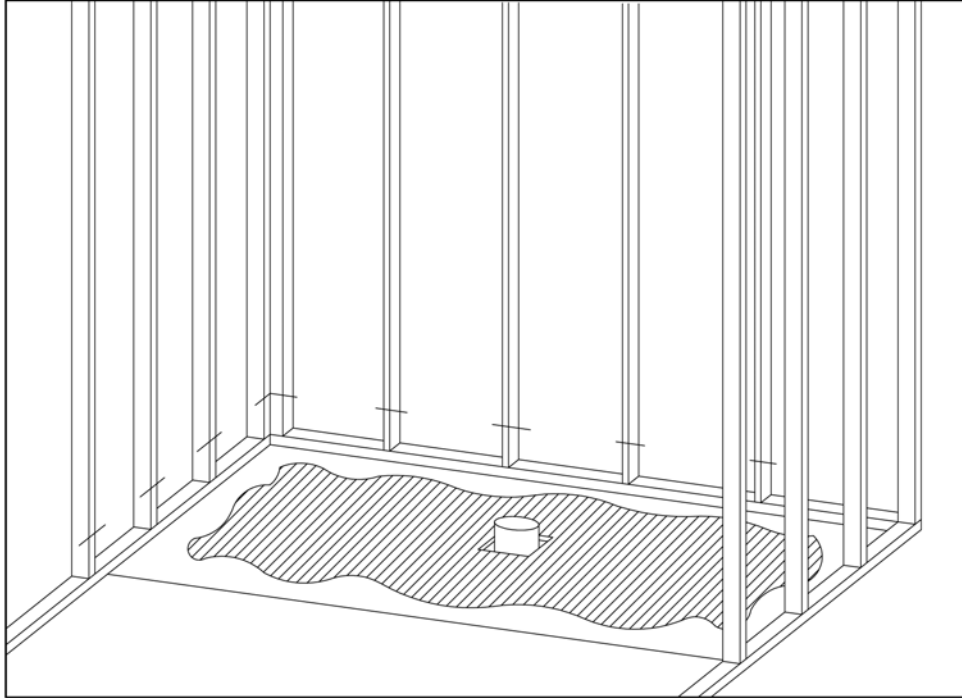


4. Level the tray and place marks on the studs above the upper edge of the tile flange.

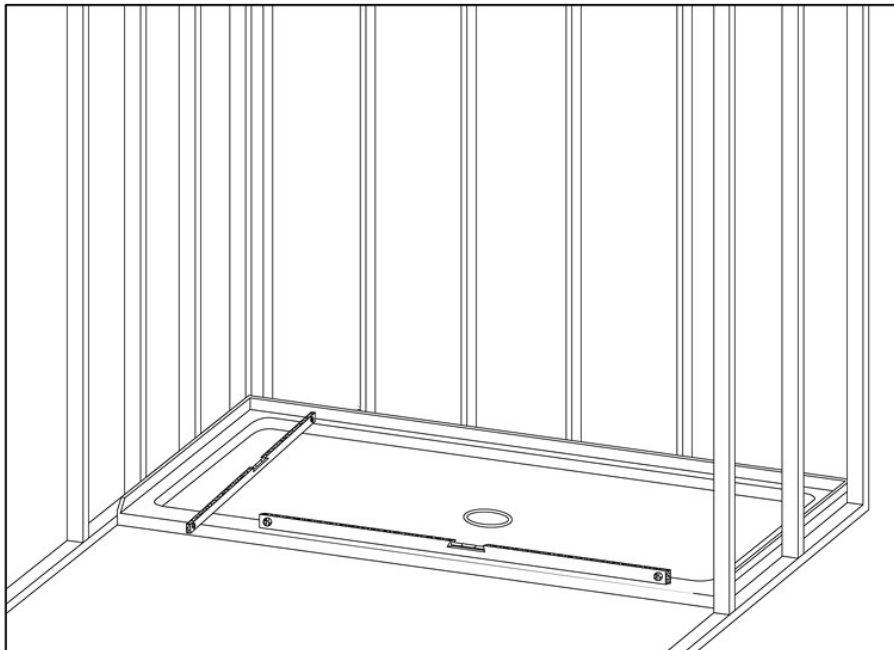


## SHOWER BASE INSTALLATION

5. Mix the bedding material (Mortar, cement-sand mix, etc.) **Concrete or plaster is not recommended.** Apply enough bedding material to support the entire bottom of the shower base. This will add additional stability and prevent the base from shifting position.

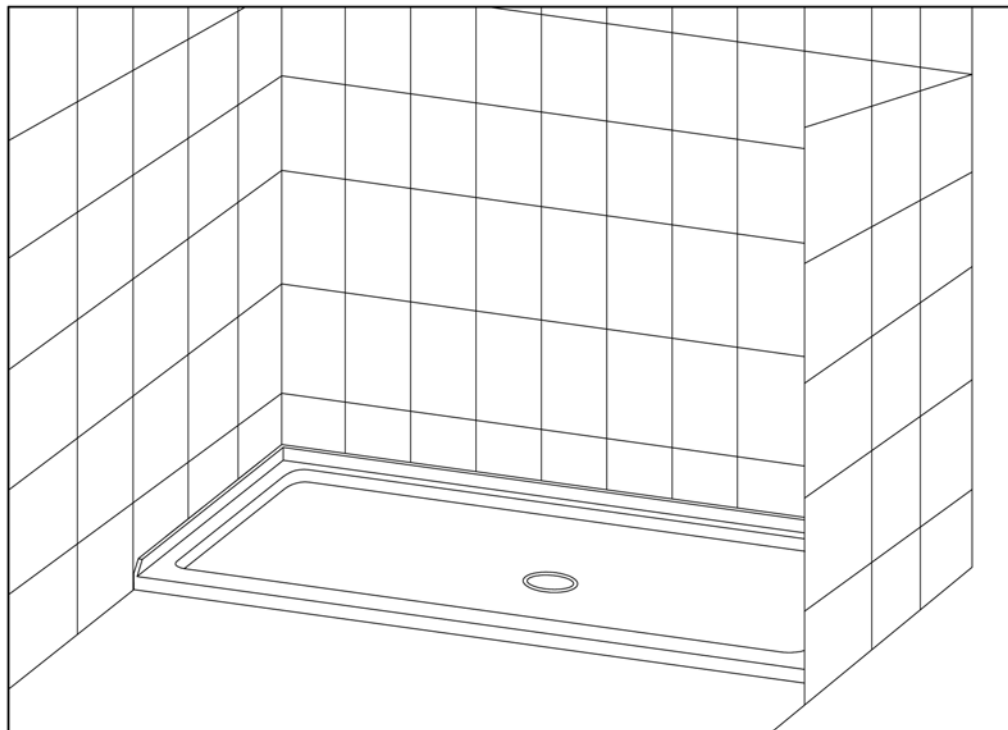
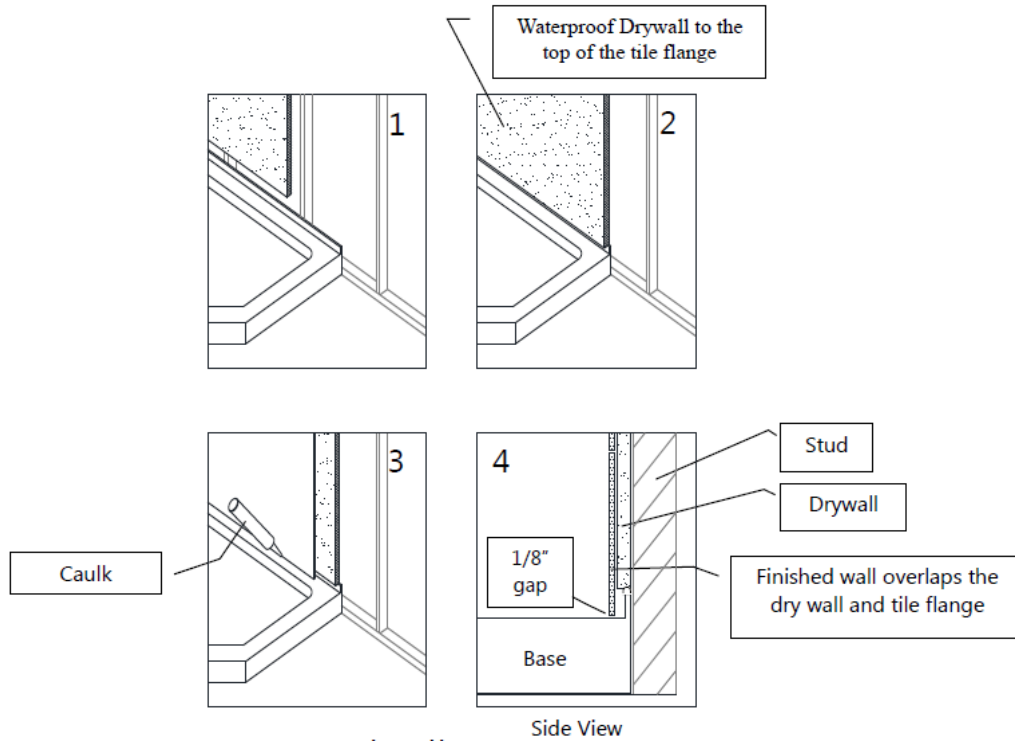


6. After the bedding material has been poured and before it sets, place the shower base into the position with the drain assembly sliding over the PVC waste pipe. It will be necessary to push the shower base until the top of the tile flange aligns with the marks drawn on the studs and the front edge is contacting the rough floor along the entire length of the shower base. Ensure that the base is level in all directions. You may need to use shims to hold the tray in the level until the bedding settles and supports the tray. Remove all excess mortar.



# SHOWER BASE INSTALLATION

7. Allow the bedding material to completely harden before applying weight to the bottom of the shower base. Install the cement board (or the wallboard) above the tile flanges and secure it to the studs. Put the tiles (or other finishing wall material) over the cement board leaving 1/8" gap between the bottom of the tile and the splash rim of the shower base. Use caulk to fill that gap.





## MAINTENANCE

**BASES and BACKWALLS:** To ensure a long life for your acrylic back walls: wipe them off after each use with a soft cloth. To clean the acrylic back walls use non-abrasive sprays or cream based cleaners. Never use abrasive cleansers, metal brushes or scrapers that could scratch or dull the surface.

**GLASS:** To ensure long lasting life for your glass shower products: wipe them off after each use with a soft cloth. Rinse and wipe off the glass using either a soft cloth or a squeegee to prevent soap buildup and water spots. To prevent scratching the surface: never use abrasive cleaners and cleaning products that contain scouring agents. Never use bristle brushes or abrasive sponges.

**HARDWARE:** To ensure a long lasting finish: wipe off the metal parts after each use with a soft cloth. Do not use abrasive cleaners or cleaning products containing ammonia, bleach or acid. If accidentally used, rinse the surface as soon as possible to prevent finish peeling or corrosion. After cleaning the shiny finishes, rinse thoroughly and wipe dry with soft cloth. Clean stainless steel surfaces at least once a week. When applying stainless steel cleaner or polish, work with (not across) the grain. Never use abrasive sponge or cloth, steel wool or wired brushes

### DISCLAIMER

WET REPUBLIC® reserves the right to alter, modify or re-design products at any time without prior notice. For the latest up-to-date technical drawings, manuals or any other details please refer to your model's web page on [wetrepublikdesigns.com](http://wetrepublikdesigns.com)