



EZ Click Bamboo Flooring
Installation, Care and Warranty Guide

Warranty coverage may be voided due to failure to strictly abide by all the installation instructions and recommendations in this manual. This includes the use of improper tools and materials.

Read all instructions carefully.

Rev.20121101

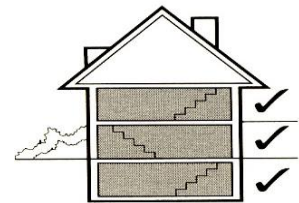
Part I INSTALLATION AND CARE:

Product Description:

EZ Click bamboo flooring planks are designed for use in multiple locations. Acceptable location includes basements, ground floors or high-rise buildings. EZ click flooring can be floating on, directly nailed or glued to a wooden or concrete sub-floor. Professional advice should be sought for the type of glue and method of glue-down installation to ensure trouble free installation. EZ Click flooring is made of a wear layer of solid wood lamella mounted under high pressure to produce premium quality flooring. These products are pre-finished under ideal conditions that meet or exceed industry standards.

Where to install and Method to install:

Grade Type	Staple Down	Glue Down	Floating
Above Grade	Yes	Yes	Yes
On Grade	Yes	Yes	Yes
Below Grade	No	No	Yes



Sub-floor Type	Staple Down	Glue Down	Floating
Concrete	No	Yes	Yes
Plywood & OSB	Yes	Yes	Yes
Old wooden floor, particleboard, pressed board & other non-wood sub-floor	Site Specific	Site Specific	Yes

Site Specific – depending on the degree of levelness, firmness and soundness of the sub-floor. Sub-floor should be sound, level and free of debris.

The following is as defined by NAWFA Hardwood Flooring Installation Guidelines - Section V for moisture testing:

- Concrete moisture readings are not to exceed 4.5% on Tramex Concrete Moisture Encounter meter.
- Calcium Chloride Test is not to exceed 3 lbs. per 1000 square feet in 24 hours.

Plywood must be CDX-rated at least 3/4" thick. OSB must be 3/4", PS2 rated, and sealed side face down.

Specific installation with Radiant Heating:

- EZ Click bamboo flooring planks is suitable for multiple radiant heat system as long as the radian heated subfloor surface do not exceed 85°F (29.5°C)..

IMPORTANT: Examine each plank carefully. Contact the dealer immediately if the material is not acceptable. Materials installed with visible defects are not covered under warranty. Manufacturer will not assume any responsibility for any materials that have already been installed. The manufacturer will not assume any liability for product damage caused by the use of unsuitable tools or the improper use of materials.

Crucial Points to Remember:

1. Plan your project by making an installation sketch. Determine the installation starting point. Consider if it is one regular-shaped room; a number of rooms with landings; or rooms on one floor, including a hall or main room. Think about how to get the most out of your budget. If in doubt, ask your dealer for advice.
2. Choose the floor plank direction. It is strongly recommended that you install boards at a 45° or 90° angle to the joist direction. This is NOT applicable for installation on concrete.
3. Take precautions at all times not to damage the finish. For example, place tools on a protective mat during installation. Vacuum or sweep floor frequently to eliminate sawdust and abrasives. Do not use vacuums with beater bars or hard plastic attachments.
4. Before starting installation, cut the bottom moldings around door frames to insert the floor planks underneath. Leaving an expansion joint is necessary. This allows the wood to react to changes in ambient humidity. The expansion joint will be hidden by wood flooring moldings such as T-molding, quarter round, etc. Moldings will be nailed to the walls and not the floor.
5. Clean your floor with Bona Hardwood Floor Polish after installation, this will remove any hair-like scratch you may have cause during the installation or due to transportation.

Jobsite Preparation:

Laying the floor should be the last step of your installation. Prior to the delivery of your flooring, make sure that:

- The jobsite is properly enclosed, with all doors and windows installed
- Installation site are climate controlled at all time with relative humidity (RH) at 35 to 60% and temperature between 65 to 85°F (18.3 to 29.5°C)
- Concrete, plaster, paint and the sub-floor are completely dry (Always measure!)
- Any depressions in the sub-floor should not exceed 1/8" (3.17 mm) and the floor must be level not to exceed 1/8" over a 6' length (1860 mm)
- Flooring planks has been at the jobsite for at least 3 days
- The surface must be clean and free of all debris. Remove any glue residue and/or staples and drive in any protruding nails.
- Install your floor under good lighting conditions

Wood Sub-floor:

- The sub-floor (plywood or OSB) moisture content should not exceed 12%. The difference in moisture between the sub-floor and floor planks should not be greater than 4%. Do not carry out the installation when condition not met.
- Wooden sub-floors must be securely screwed down to joists to prevent any movement or squeaking. Inspect the existing subfloor and replace any subfloor that exhibits signs of water damage or structural weakness.
- The floor of the crawl space (if there is one) is completely covered by 6-8 mil black polyethylene film and has had adequate cross ventilation

Concrete Sub-floor:

- Moisture readings must not exceed 4.5% with a moisture meter for concrete (Tramex Moisture Encounter) as defined by NWFA (National Wood Flooring Association).
- In the presence of moisture, perform a calcium chloride test. The moisture level measured using the calcium chloride test must not exceed 3 lb/1,000 sq. ft. /24 hours. If the reading exceeds 3 lb. but is below 7 lb., install a waterproof membrane such as Bostik MVP or equivalent.

IMPORTANT: When it comes to floor installation, moisture is an important element that should be emphasized. The installer and the homeowner are jointly responsible for checking the sub-floor moisture content. If the moisture content is too high, installation of flooring must be postponed. Never install a bamboo floor on a wooden sub-floor if a moisture test reading

exceeds 12%. Any responsibility for failures or deficiencies related to job site quality is declined by the manufacturer.

Installation Work:

Once you are ready to install your floor planks, open a case to check that product species, grade, color, size and quality are correct. If everything is in order, then open several cartons of flooring at the same time for installation. This will allow you to balance plank length, color and variations in the grain of the wood. This will ensure that planks can be arranged to reflect a homogenous floor covering.

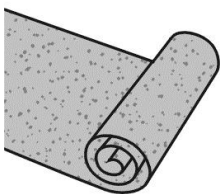
Please advise your dealer immediately if any problems occur. Our in-house installation team could be contracted to take over the installation if required.

IMPORTANT: Prior to installing the floor, the installer and the homeowner must ensure that the installation site and sub-floor meet the conditions in this document. The installer and the homeowner are responsible for inspecting floor planks prior to installing them. Depending on the type of installation, you may also need special moldings for your floor such as nosing and reducer strips. Installer is responsible to ensure the proper selection and installation of molding pieces.

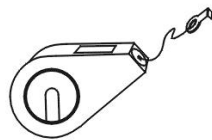
FLOATING INSTALLATION

EZ Click bamboo flooring planks are suitable for floating installation at any grade level. This includes above grade, on grade or even below grade onto a concrete sub-floor, wood sub-floor, ceramic tiling, or linoleum with proper site preparation.

Recommended tools:



Underlayment



Chalk Reel



Ruler



Expansion Spacer



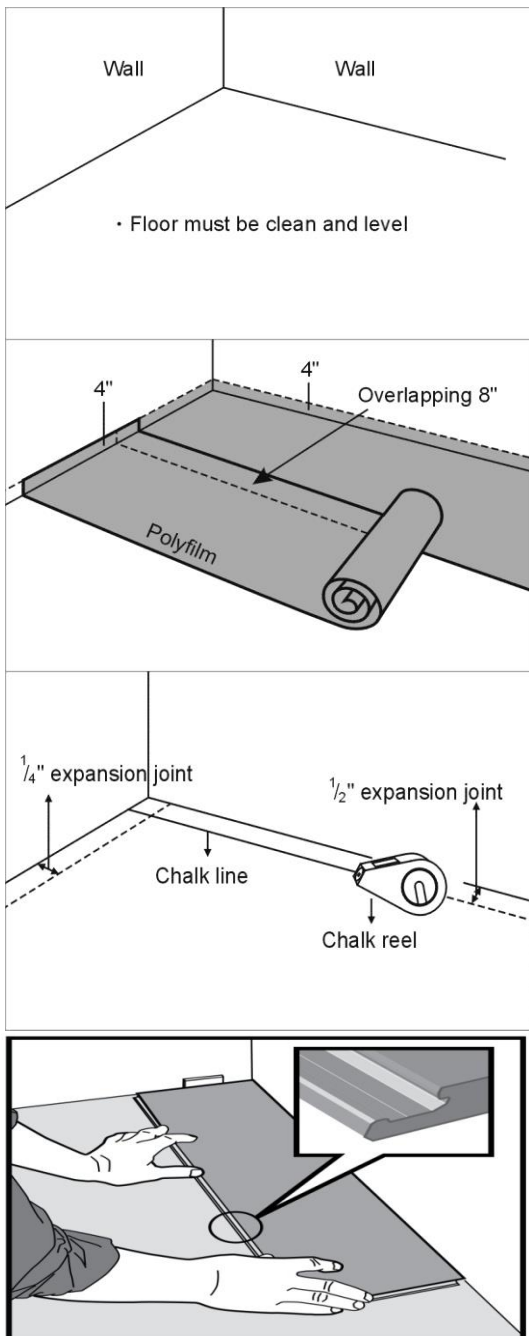
Hand Saw

Important: Floating Installation is where the floors planks are joined together but are not attached to either the sub-floor or the wall and thus are suspended on the sub-floor. Floating installation method allows more movement on the floors and thus is more potential for squeaking or cracking sound to develop when stepped on. Manufacturer declines warranty on squeaking or cracking sound due to floating installation when vertical movement exist.

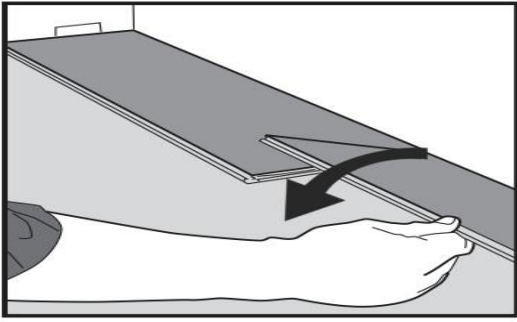
Preparing and leveling the sub-floor:

- Please refer back to Job Site Preparation.
- If below grade, you must lay a 6-mil Polyfilm with seams overlapping 8" (200 mm) in addition to 2-in-1 underlayment.
- Fasten Polyfilm seams every 18" to 24"(450 to 600 mm) with duct tape or poly tape.
- Run 4" (100 mm) of poly-film up against the perimeter of wall.
- Lay foam underlayment by butting edges and then duct tape the full length of the seam.

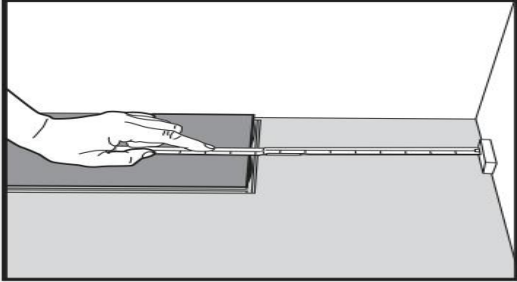
Floating Installation Step by Step:



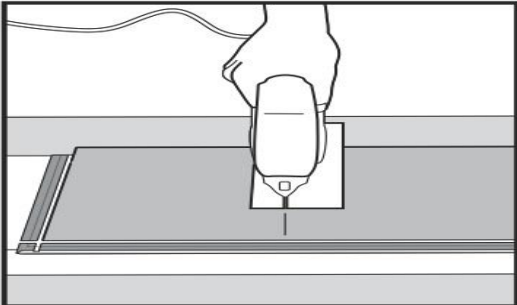
- The sub-floor should be free from any surface defect. If it is not, fill gaps with leveling material designed for your subfloor type.
- Cut out imperfections in plank or place them in less visible areas.
- Lay out a layer of 6 mil Polyfilm and a layer of foam underlayment **OR** 2-in-1 foam underlayment.
- Run 4" of the Polyfilm up against the perimeter walls.
- Use chalk line to trace starting line with 1/2" expansion joint at the side and 1/4" at row ends.
- Place expansion spacer every 12" along all walls to prevent movement during installation.
- Open several carton of floor planks and lay out 4 to 5 rows of planks ahead of time. Choose planks so that they match in terms of woodgrains and color of your choice.
- Install 1st plank along the starting line with the tongue facing out.



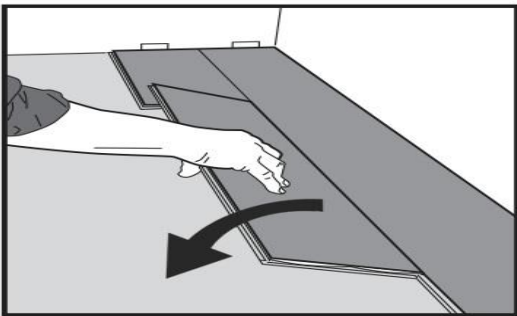
- Place the second plank tight to the short end of the first one.
- Fold down with a single action movement.



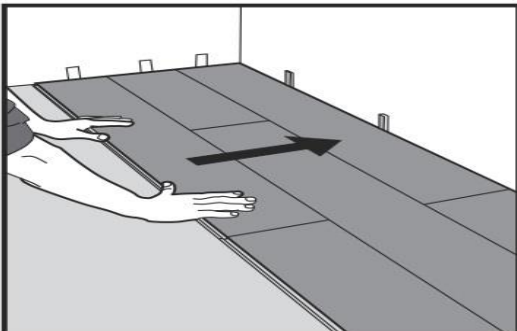
- At the end of the first row put a spacer to the wall and measure the length of the last plank to fit.



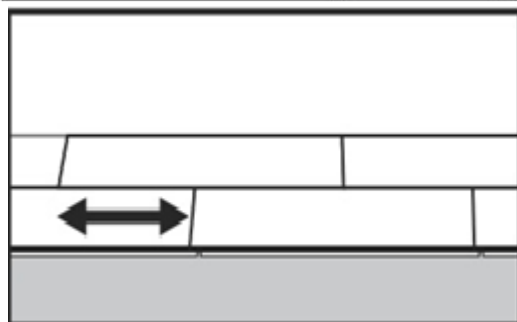
- Cut bamboo floor plank with circular saw face turned down OR with a hand saw with the bamboo face turned up.



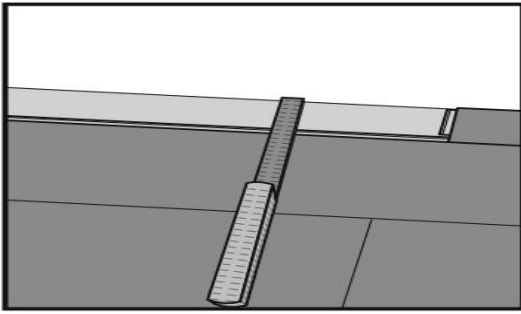
- Proceed with installing second row. Place the floor plank tight to the short end of the previous plank and fold it down in a single action movement.



- After 2 to 3 rows, adjust the distance to the back wall by placing more spacer.



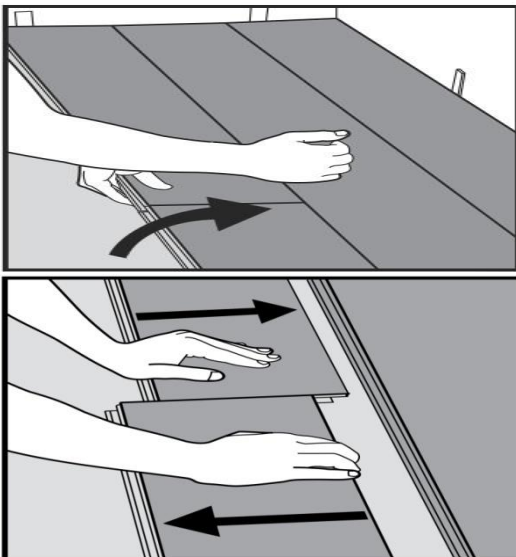
- The minimum distance between end joints of planks in parallel rows should not be less than 6" (150 mm).



- Plank on the last row and the first row must be in a minimum width of 2" (50mm).
- Remember to include expansion gap of 1/2" from the wall.
- Cut the plank lengthwise and glue the short ends.
- Complete installation with moldings. Any molding must be fixed to the wall, **never** to the floor.

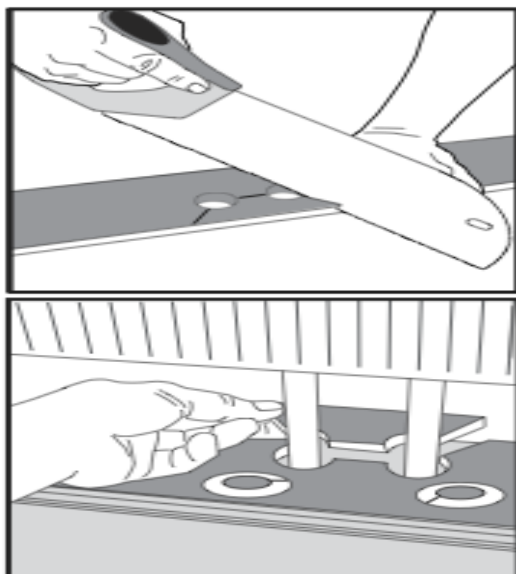
Disassembling (without the use of tools):

EZ click floor planks can be easily disassembled by proper method. This allows for replacement during installation and also during use.



- Separate the whole row by carefully lifting up and slightly knocking just above the joint.
- Fold up and release the whole long-side.
- Disassemble the panels by sliding horizontally (from side to side).
- Do not fold up.

Radiator Pipes

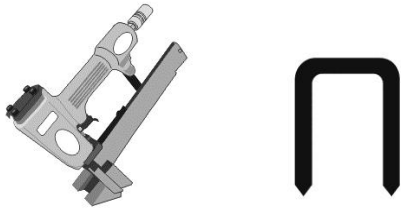


- Installation at radiators: Drill the holes 1" larger than the diameter of the pipes.
- Horizontal installation: Cut off the locking element with a hand saw and push the planks horizontally together. If necessary, place some spacers between the last panel and the wall to keep the planks together during the curing time of the glue.

IMPORTANT: A minimum amount of adhesive can be used on the end joint between the tongue and groove. During Installation, immediately wipe any adhesive from the floor's surface.

STAPLE DOWN INSTALLATION

Staple down installation can only be used with PS-2 rated oriented strand board (OSB) or plywood sub-floors. The manufacturer recommends using 3/4" (18 mm) OSB or plywood on joists spaced no more than 19.2" (450 mm) apart, center-to-center. OSB or plywood must be structurally sound.



Recommended tools:

1. Moisture Meter
2. Bostitch LHF97125-2 Floor Flooring Stapler for 1/4-inch to 1/2-inch Flooring (U-Staple only)
3. Chalk reel
4. Tape measure
5. Use non-tarred felt paper on the sub-floor surface to reduce normal mechanical friction and a 6 mil. Poly sheeting if additional moisture protection is required.
6. Speed square
7. Electric saw OR Hand saw

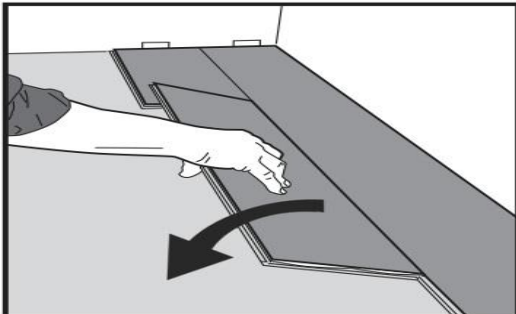
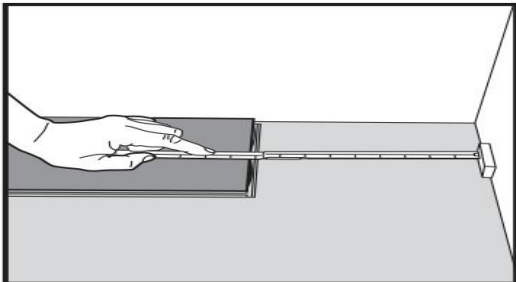
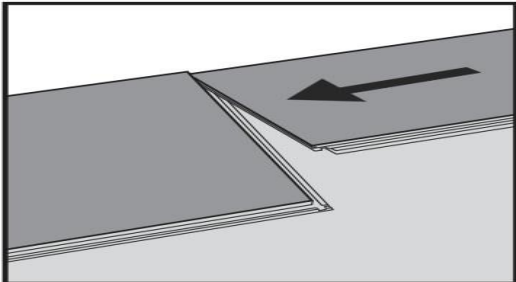
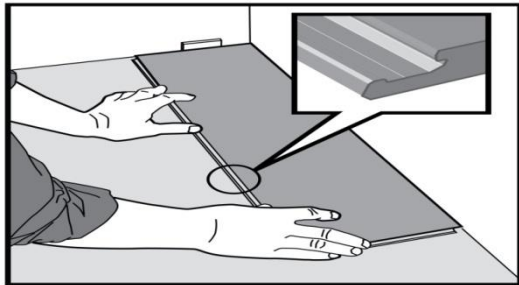
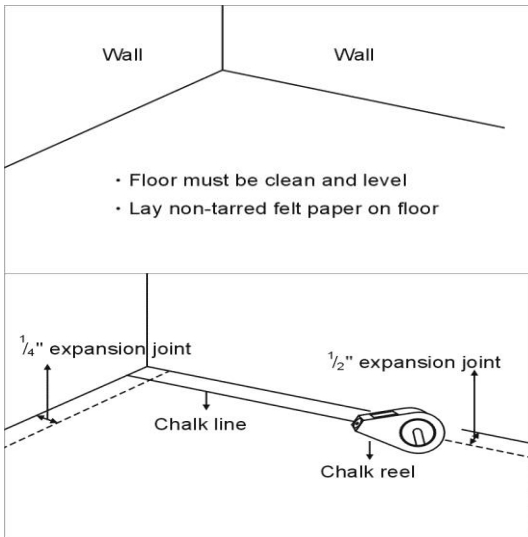
Preparing and leveling the sub-floor:

- Please refer back to Job Site Preparation.
- It is recommended that you use non-tarred felt paper on the sub-floor surface to reduce normal mechanical friction between materials and to facilitate installation. Lay the felt paper in the direction of the boards using staples, overlapping the ends by 3" to 4".

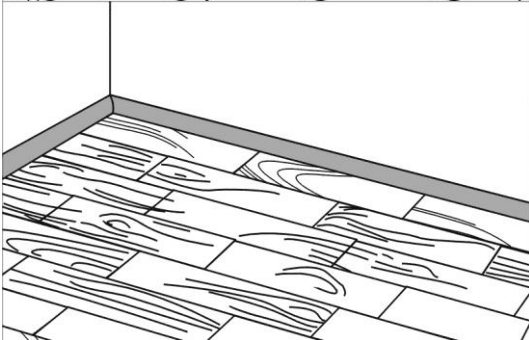
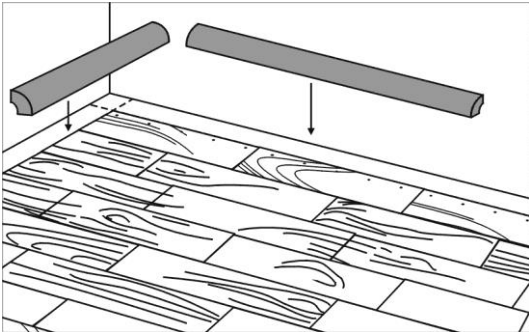
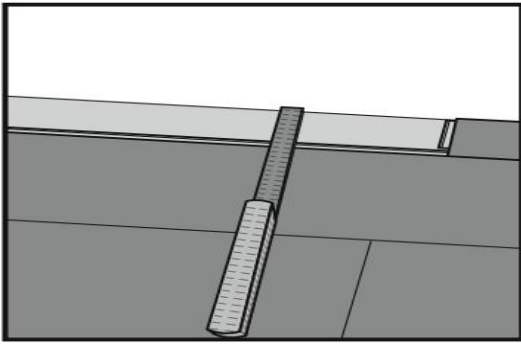
Using the stapler:

- Practice using the pneumatic flooring stapler on a scrap plank. Follow the safety tips and instructions of the manufacturer of the stapler.
- Clean the staple base plate regularly to ensure it does not damage the finish of the flooring.
- Adjust the compressor air pressure for the hardness of the species and to ensure proper staple placement in tongue (about 50-90 psi). Follow the safety tips and instructions of the manufacturer of the staples.

Staple Down Installation Steps:



- Lay 15 lb non-tarred felt paper or equivalent (with 3" to 4" overlapping end) in the direction of the boards using staples. This will reduce the normal mechanical friction between materials and facilitate installation.
- Felt paper is not required if the floor has an acoustic membrane.
- Use chalk line to trace starting line with a $\frac{1}{2}$ " expansion joint at the side and $\frac{1}{4}$ " at row ends.
- Lay out 4 to 5 rows of planks ahead of time that match in terms of woodgrain and color.
- Cut out imperfections on planks or place them in less visible areas.
- Install the first plank along the starting line with the tongue facing out and the groove facing the wall. Staple the planks to the sub-floor.
- On the subsequent plank, place this plank tight to the short end of the first one.
- Cut plank to fit end row, allowing for $\frac{1}{4}$ " to $\frac{1}{2}$ " expansion gap. No pull bar is needed.
- Start subsequent row using the remainder of the cut-off end plank from the previous row. The remainder should be at least 6" in length. Fasten with simple angle and drop-down motion (as in floating installation).
- Continue to use pneumatic floor staple for subsequent rows. Each plank should be stapled every 12". Do not staple less than 2" from plank end to prevent the tongue from splitting. Fasten each plank with at least 2-staples.
- For best results, stagger the joints 6" to 8" from the previous row and alternate board lengths.



- Plank on the last row and the first row must be in a minimum width of 2" (50mm).
- Remember to include expansion gap of 1/2" from the wall.
- Cut the panels lengthwise and glue the short ends.
- Complete installation with moldings. Any molding must be fixed to the wall, **never** to the floor.
- The final planks should be installed the same way as the 1st plank.
- You may have to rip the last row lengthwise to leave 1/2" for the expansion joint.
- Complete installation with moldings.

GLUE DOWN INSTALLATION

EZ Click flooring can be glued directly to a concrete sub-floor, wooden sub-floor, or terrazzo on the ground floor and/or second floor. EZ Click flooring must not be installed over any type of vinyl; any vinyl must be removed. Sub-floor must be free of wax, paint, oil and debris. Terrazzo floors must be cleaned and stripped of all polishes.

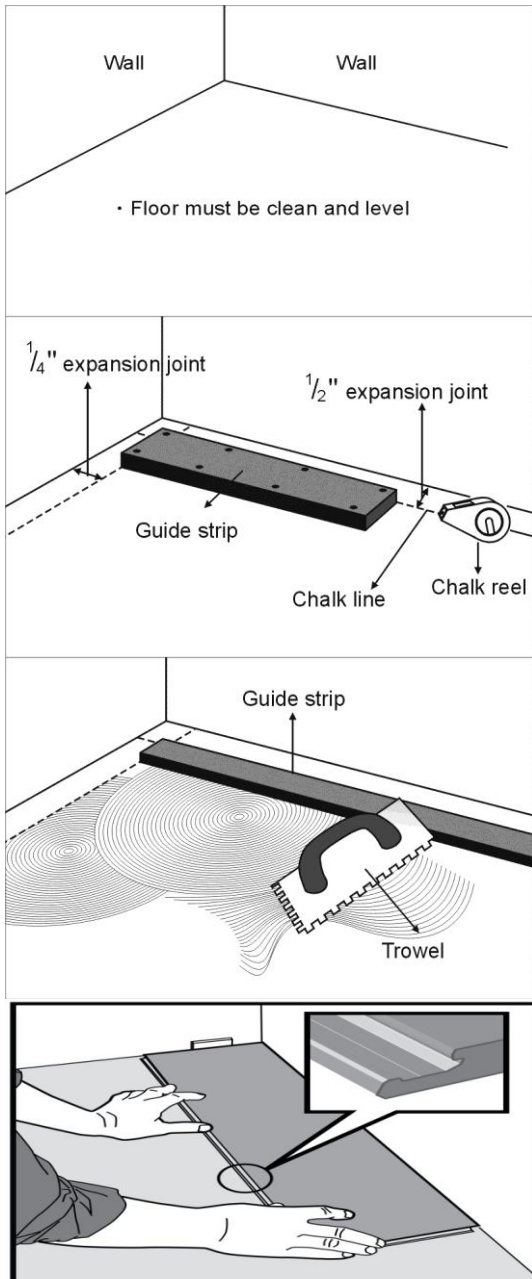
Recommended tools:

1. Moisture Meter
2. BOSTIK'S BEST or equivalent moisture-cured urethane adhesive
3. Bostik MVP4® Moisture Vapor Protection (if required)
4. Notched Trowel-- follow Glue Manufacturer's guidelines for recommended size
5. Bostik's Ultimate Adhesive Remover or wipes
6. Guide Strip
7. Chalk reel
8. Tape measure
9. Speed square
10. Flooring straps
11. 100 lb Roller
12. Electric saw OR Hand saw

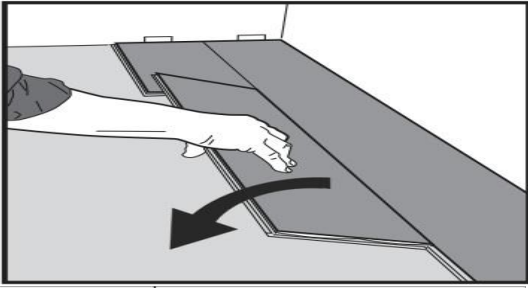
Preparing and leveling the sub-floor:

- Please refer back to Job Site Preparation.
- The sub-floor should be free of any surface defect.
- For concrete installation, ensure that the concrete is not low-density (below 3000 psi) or friable.

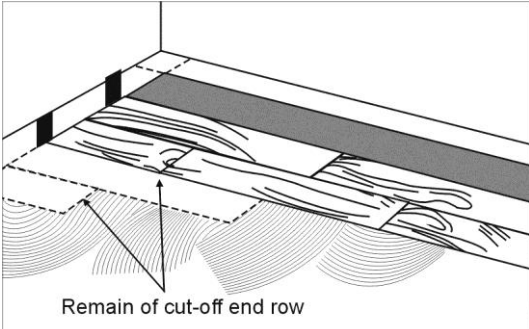
Glue Down Installation Steps:



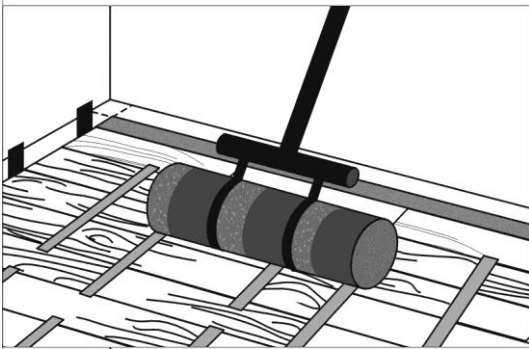
- Lay out 4 to 5 rows of planks ahead of time that match in terms of joints and color.
- Cut out imperfections in planks or place them in less visible areas.
- For concrete installation, ensure concrete is not low-density (below 3000 psi.).
- Use chalk line to trace starting line with $\frac{1}{2}$ " expansion joint at the side and $\frac{1}{4}$ " at row ends.
- Nail a guide plank along the starting line if your wall is not in perfect straight line. The plank will serve as a guide for the 1st row of planks.
- Use the trowel and apply adhesive at a 45° angle from the starting line outward.
- Install the first plank along the guide strip with the tongue facing you and the groove facing the starting wall.
- The adhesive should not be applied if the subfloor or room temperature is above 85°F (29.6°C) or below 50°F (10°C).
- Install the first plank along the starting line with the tongue facing out and the groove facing the wall.



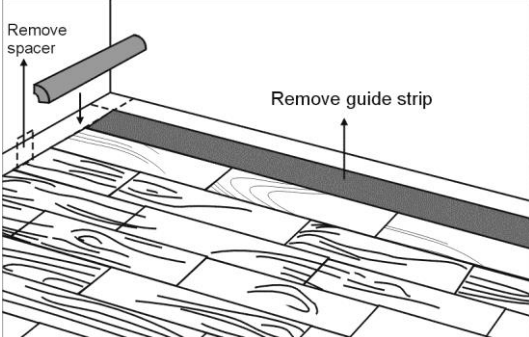
- Proceed from left to right to install other planks in the row.
- Do small sections to ensure adhesive does not dry before the planks are laid.
- As you work, immediately clean any adhesive from the wood surface.



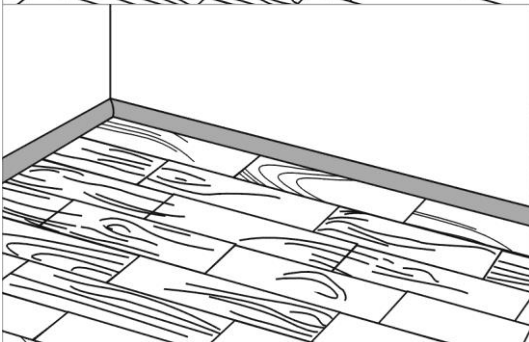
- Start the subsequent row using the remainder of the cut-off end plank from previous row. The remainder should be at least 6" in length.
- Insert the tongue end into the groove and lower the plank as closely as possible to the adjacent one. Avoid contact with the adhesive as much as possible.
- For best results, stagger the joints 6" to 8" from the previous row and alternate board lengths.



- Use a 100-150 lb. roller to apply pressure to installed sections while the adhesive is still active (approximately 45-60 min).
- Remove all dust and debris prior to rolling.



- Once the entire surface is covered, remove the guide planks and replace with flooring planks.
- Remove the expansion spacer to install molding to cover the expansion joint.



- Complete installation with moldings.
- Do not walk or place any personal belongings on newly installed floor for at least 24 hours. This will enable the adhesive to properly cure.

IMPORTANT: During Installation, immediately wipe any adhesive from the floor surface using Bostik's Ultimate solvent and/or wipes.

Part II MAINTENANCE & CARE

Finishing & Maintenance:

You can hide the small holes left by finishing nails with wood putty.

1. Fill the hole.
2. Wipe excess wood putty immediately with a clean cloth and cleaner.
3. Apply a thin coat of urethane to the clean surface of the putty.
4. Let it dry for about 1 hour.

Regular Maintenance:

- Clean your wood floors with a damp cloth or terrycloth mop/applicator. Wipe in the direction of the grain (length of the boards).
- Waxing is NOT recommended. Dust mop or vacuum your wood floor as needed. Never wet-mop or flood your floor with water.
- Never use cleaners that contain oil soaps or surfactants.
- Set up precautions and a regular maintenance program depending on your specific traffic conditions.

Preventive Maintenance:

- Install floor protectors on all furniture legs, especially if the piece has the potential of moving on the wood. Make sure you use the correct size and pad thickness for the weight and size of the furniture.
- Clean and replace felt pads yearly or sooner if they are thinning out or damaged.
- Gritty sand and dirt are abrasive to wood floors. Use protective mats at doorways.
- Use rugs (non rubber-back) in high traffic areas such as at all exterior doors, in front of refrigerators, dishwashers and sinks.
- Keep floors clean and free of dirt & sand. Dust mop and/or vacuum as needed. Do not use a vacuum that has a beater bar, metal wheels, and/or metal or hard plastic attachments. It is best to use felt or fine brush attachments. Make sure plastic wheels are free of dirt prior to vacuuming.
- Wipe up spills immediately.
- NEVER clean your floor with water or cleaners that mix with water.
- NEVER clean your floors with excessive water.
- NEVER use furniture duster sprays on wood floors.
- NEVER use cleaners that contain oil soaps or surfactants.
- NEVER use a Sharp Steamer or any other type of steam cleaning machine on wood floors.
- Some types of high heel shoes may cause indentations in wood floors. High-heels worn by an average woman can exert 8,000 pounds per square inch!
- All dogs, especially large dogs, will cause scratches and dents in a wood floor.

Part III WARRANTY

Scope of Warranty

This limited warranty extends only to the original purchaser/s of this product for as long as they own their premises and is not transferable. Warranty covers the flooring only and applies to the purchase/s through legal proof of purchase. It does not cover downgraded or discounted purchase. Labor costs incurred for whatever purpose are excluded and not covered by this warranty. All warranties run from the date of retail purchase for the applicable period described in this guide.

Duty and Responsibility of Installer and Homeowner

Floor planks in cartons are not considered as complete and usable floor. In most cases, several cartons of floor planks collectively constitute a complete and usable floor after they are installed properly by a professional flooring installer.

Though the manufacturer conducts meticulous quality tests to ensure the floor planks comply with the established criteria, installer and homeowner must use discretion when choosing planks, omit certain planks, place them in a less visible area, or cut those with serious defects as needed, regardless of their origin. If installer have doubts about the grade and finish or manufacturing quality and can neither place the planks in a less visible area nor eliminate the imperfection, they should not install them.

Floor planks that have been installed are considered having been accepted by the installer and homeowner.

The manufacturer will decline any responsibility for failure to strictly follow all installation instructions and recommendations and/or the use of improper materials and tools.

Industrial Norm

Floor plank is made of natural material, certain imperfection may or may not exist. Your purchase is subject to rigorous quality standards and complies with current industry standards, which stipulate an accepted imperfection rate within 5% of the floor planks. This includes natural imperfections as well as manufacturing and grade selection defects.

Only products with a defect rate above the acceptable 5% level will be replaced. Warranty will not be applicable for cases of careless installation of product or the poor judgment of installers.

Structural and Finish Warranty

Floor planks are designed to beautify space, they are not intended for structure support or strength bearing condition. The manufacturer warranties that Flooring wear layer will not delaminate and finish will not wear-through in

- 50 years under normal residential traffic for Solid Format (10 years for light commercial),
- 35 years under normal residential traffic for Multi-Layer Engineered (7 years for light commercial),
- 15 years under normal residential traffic for HDF Core Engineered (3 years for light commercial).

This applies to structural manufacturing defects in lamination when used under normal residential traffic conditions. Proper job site pre-inspection, installation and maintenance procedures must be followed. Adhesion breakdown caused by moisture damage and/or water damage is not covered under this warranty. Flooring plank, being a natural product, will constantly expand and contract over time. Properly installed floors may consequently experience some separation between planks; separation of planks is not covered under this warranty. This limited warranty extends only to the original purchaser(s) of this product for as long as they own their home and is not transferable.

Warranty Disclaimers and Exclusions

Wood is a natural material, variation of color and woodgrain is a natural characteristic of wood. These variations are natural due to species, age, character of wood and exposure to sunlight. All these naturally occurring characteristics of wood such as grain, color, mineral streaks and knots are not considered defects.

Adhesion breakdown or dimensional changes caused by moisture damage and/or water damage is not covered under this warranty.

New and replacement planks may not match display samples or existing flooring. Matching of flooring to other wood products such as cabinets, stair railings and moldings is the responsibility of the purchaser. Normal exposure to sunlight will result in changes in shades and colors. Variation of shades between covered and uncovered areas is common. This is not a product defect.

Gapping is not claimable under this warranty agreement. Gapping is caused by change of ambient condition. Wood is a natural product and will expand and shrink with change of ambient condition.

Rubber-backed rugs may cause finish discoloration.

Gloss reduction is common due to various reasons, including surface wear. Blurring in finish and reflection of images on the finish surface could occur and will especially be visible on darker stained flooring finish.

Wood flooring is not intended for structure support, squeaking from the floor plank due to rubbing between planks is due to weak support of subfloor or improper support from the subfloor. Squeaking on Locking Floor planks especially on floating installation is common due to high humidity or extreme changes in site environment. This is not considered as manufacturing defect and is not covered by this warranty.

Flooring must be properly maintained in accordance with the enclosed maintenance instructions. Any wear-through warranty must not have occurred as a result of improper maintenance, refinishing or accidents, such as damages caused by scratching, impacting or cutting.

Flooring must only be used indoors. Premises where windows and/or doors that are not installed are not considered indoor space. This warranty will not apply if the flooring is used in any outdoor applications.

Any attempt to repair flooring will void this warranty.

This warranty excludes indentations, scratches, stains or damages caused by negligence, fire, water, moisture, excessive heat or excessive dryness, erosion, pebbles, sand or other abrasives, pets, insects, high heeled shoes, weather conditions or natural disasters, color variations, naturally occurring material characteristics, failure to follow the written installation and maintenance instructions, improper maintenance, insufficient protection, misuse or improper alterations of the original manufacturer's product.

This warranty does not cover natural product expansion and contraction through time resulting in separation between planks or damage due to exposure to excessive low or high humidity for a long period of time.

Claim Procedure

All claims shall be reviewed on whether the finding should be justified to be conducted by an independent flooring inspector. If the defect is due to other factors, a written reply shall be issued to the claimer together with reasons.

Should a third party inspector be required, the claimer will be required to make a payment for the inspection. The payment will be determined by the company of the independent inspector. The inspector will perform an on-site inspection and will provide a full report to both parties. The inspector must be licensed, and certified in wood flooring inspection.

Should the report not be justified for claim, the case will be considered dissolved and the claimer will have to bear the cost of the inspection. If justification is claimable, the manufacturer will provide suggestion to claimer to reach an agreement for reimbursement and settlement.

Any and all representatives, promises, warranties or statements by agents, installers, retailers, distributor or employees that differ in any manner from this terms of limited warranty shall be void and in no force unless in written form and signed by a duly authorized party.

Limitations on Liability

Consumer exclusive remedy and manufacturer's sole liability on any claim, whether in tort, contract, or breach of warranty, shall be limited to the repair or replacement of the defective goods for the affected area only which are proven to manufacturer's satisfaction to be defective in manufacture or the refund of the applicable purchase price. In no event and for no cause whatsoever, including any breach or default by manufacturer, shall manufacturer have any other liability (including without limitation incidental or consequential damages) or any monetary liability to consumer in excess of the contract price or prices of the pertinent products in question. All charges should be submitted to the Customer Relations Department for evaluation and review.

Customer Relations Department
Warranty Service Line: 800.278.8204
www.EasoonUSA.com