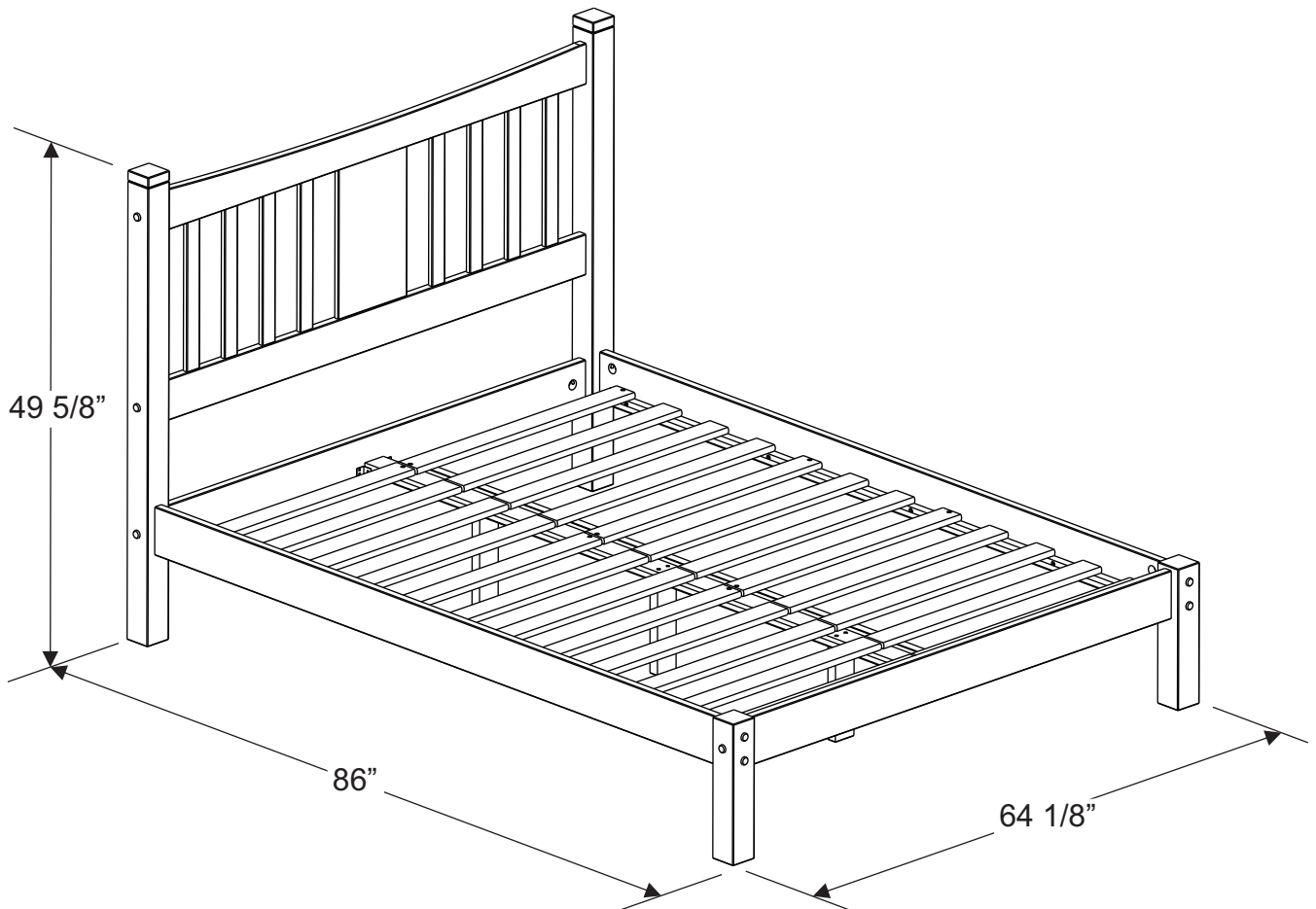


Assembly Instructions

Shaker Collection

Queen Slat Platform Bed



Thank you for purchasing our furniture, it's an honor to be in your home!

Every effort has been made to ensure your Wood Furniture is of the finest quality. If you have any questions or need any replacement parts, please do not hesitate to contact us at support@grainwoodfurniture.com before attempting to return this item to the store.



				<table border="1"> <thead> <tr> <th>Model #</th> <th>Finish</th> </tr> </thead> <tbody> <tr> <td>SH130112</td> <td>Cherry</td> </tr> <tr> <td>SH130212</td> <td>Expresso</td> </tr> <tr> <td>SH130312</td> <td>Honey</td> </tr> </tbody> </table>	Model #	Finish	SH130112	Cherry	SH130212	Expresso	SH130312	Honey	<table border="1"> <thead> <tr> <th>Model #</th> <th>Finish</th> </tr> </thead> <tbody> <tr> <td>SH130112</td> <td>Cherry</td> </tr> <tr> <td>SH130212</td> <td>Expresso</td> </tr> <tr> <td>SH130312</td> <td>Honey</td> </tr> </tbody> </table>	Model #	Finish	SH130112	Cherry	SH130212	Expresso	SH130312	Honey
Model #	Finish																				
SH130112	Cherry																				
SH130212	Expresso																				
SH130312	Honey																				
Model #	Finish																				
SH130112	Cherry																				
SH130212	Expresso																				
SH130312	Honey																				

MADE IN BRAZIL

PLEASE READ BELOW BEFORE BEGINNING YOUR ASSEMBLY

Here are some tips on assembling your flat-pack furniture in order to minimize your assembly time and frustrations:

- Do Not throw away packaging material until assembly is complete.
- Assemble the item on a soft surface, such as cardboard or old blanket, to protect finish from possible dents or scratches.
- Choose a spacious, open area near where the piece will be located. It is easier to move parts than to relocate the furniture after it is fully assembled, depending on its size and weight.
- Organize everything and count it twice. If you organize the items by parts, you'll find it much easier to grab each piece as you build.
- Check each part for cracks or flaws, such as improperly drilled holes, and count multiple parts. If there are any problems or missing pieces, contact us by email support@grainwoodfurniture.com providing model number, part number and description of the problem to arrange a replacement.
- Real Wood furniture may present imperfections such as wood knots, minor splits or cracks that are part of the natural aspect of the material. In few cases, also can be caused by variations of air moisture and temperature. Whenever stability of the piece of furniture is not compromised we recommend customers to perform cosmetic touch-ups by wax crayon fillers sold at all major hardware stores.
- It is best to use any tools the kit provides, such as a hex key, because they may be specially sized for that piece of furniture. We do not recommend the use of power drill, it can damage your furniture if not used correctly.
- Read the entire list of instructions, arranging your parts in order of use as you go.
- Finally, Enlist a help from friends and family since proper assembly of most items require 2 people.




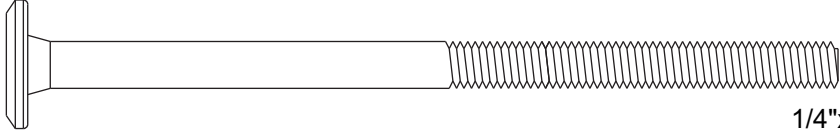


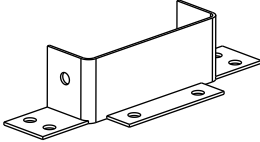
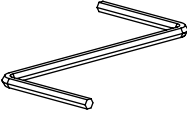
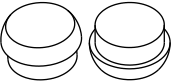
Wood Furniture Care:

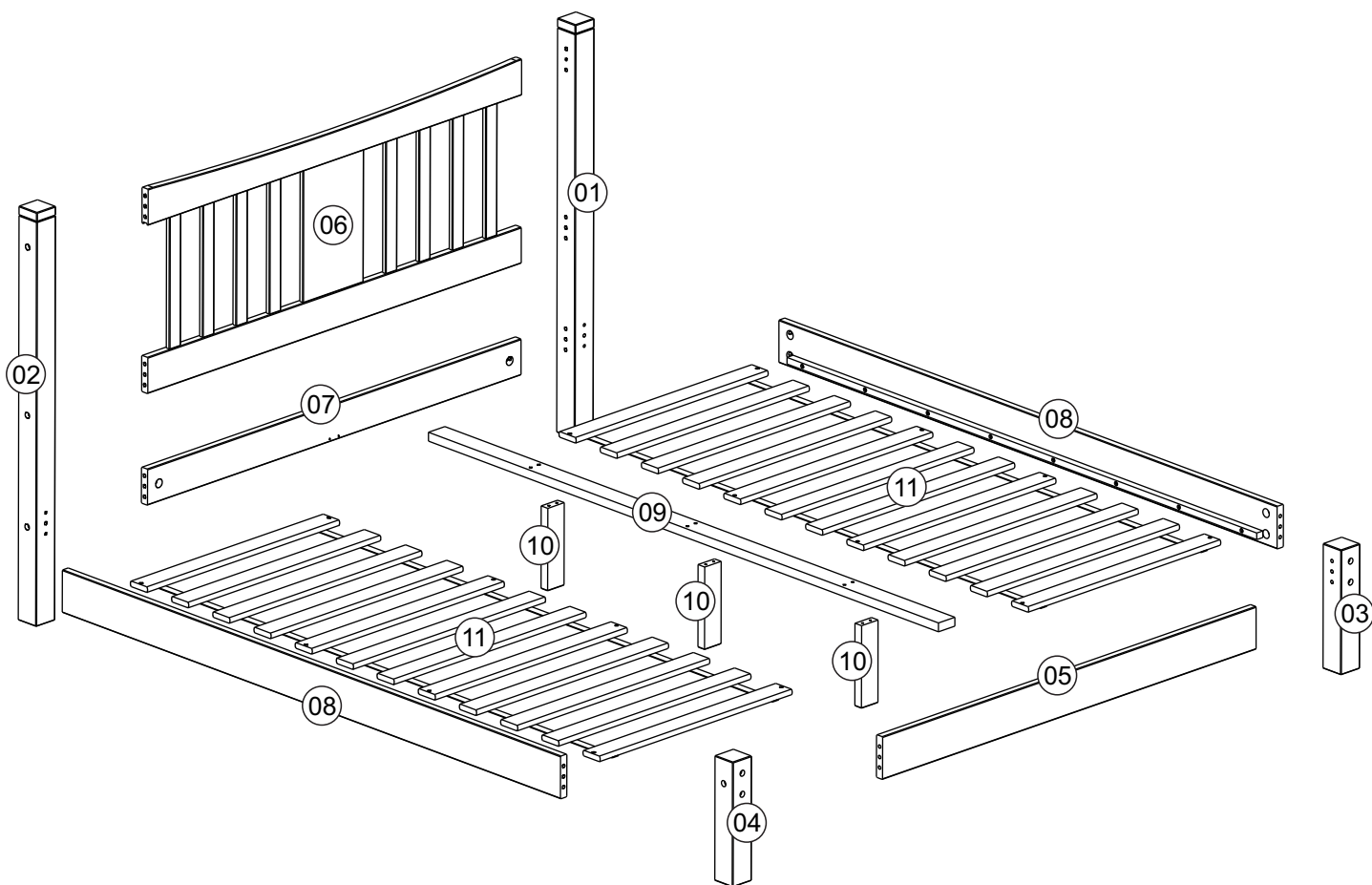
- *Clean with a cloth dampened with water or furniture polish following the pattern of the grain.*
- *Do NOT use solvents such as alcohol for cleaning.*
- *Avoid placing under direct sun light, to prevent UV damage.*
- *Avoid positioning very close to heaters or AC vents.*
- *Hot pads should always be used when placing warm serving dishes on your furniture.*
- *Very hot items such as a sauce pan or baking dish should never be placed on a tabletop, even with a hot pad.*
- *Place mats will help to protect the finish from dishes and silverware, and coasters will help protect your furniture from moisture.*

Enjoy your Real Wood Furniture!



HARDWARE LIST

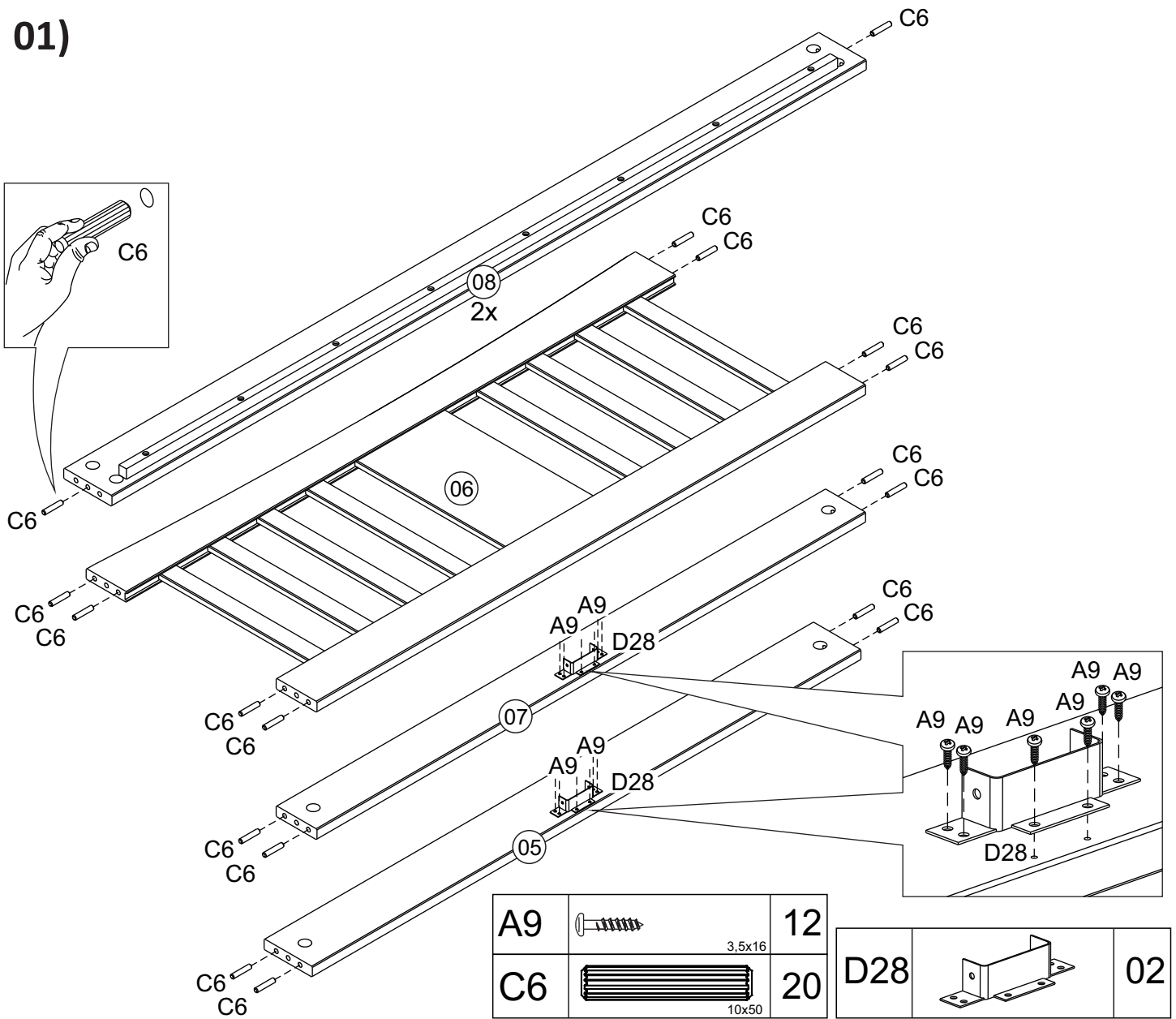
A9	 <div style="text-align: right; font-size: small;">3,5x16</div>	16
A14	 <div style="text-align: right; font-size: small;">3,5x35</div>	16
B5	 <div style="text-align: right; font-size: small;">1/4"</div>	16
B7	 <div style="text-align: right; font-size: small;">1/4"x110</div>	16
B23	 <div style="text-align: right; font-size: small;">7,0x50</div>	06
C6	 <div style="text-align: right; font-size: small;">10x50</div>	20
D28		02
G8		01
H5		16



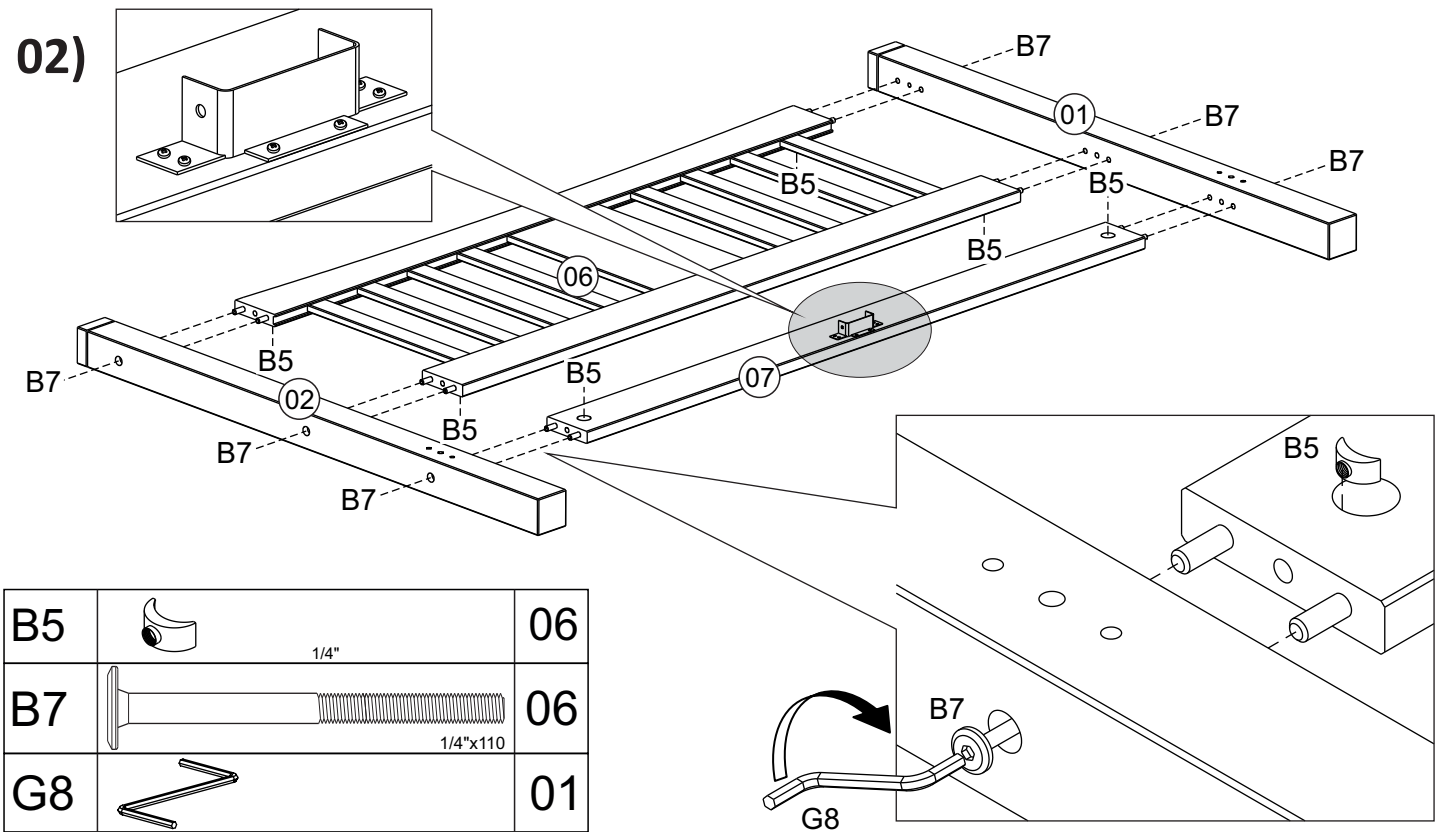
Parts list

Box 1			Box 2		
Part #	Description	qty	Part #	Description	qty
05	Footboard cross piece	1	01	Right headboard post	1
06	Headboard	1	02	Left headboard post	1
07	Headboard cross piece	1	03	Right footboard post	1
11	Slat roll	2	04	Left footboard post	1
			08	Side rail	2
			09	Center rail	1
			10	Center support	3

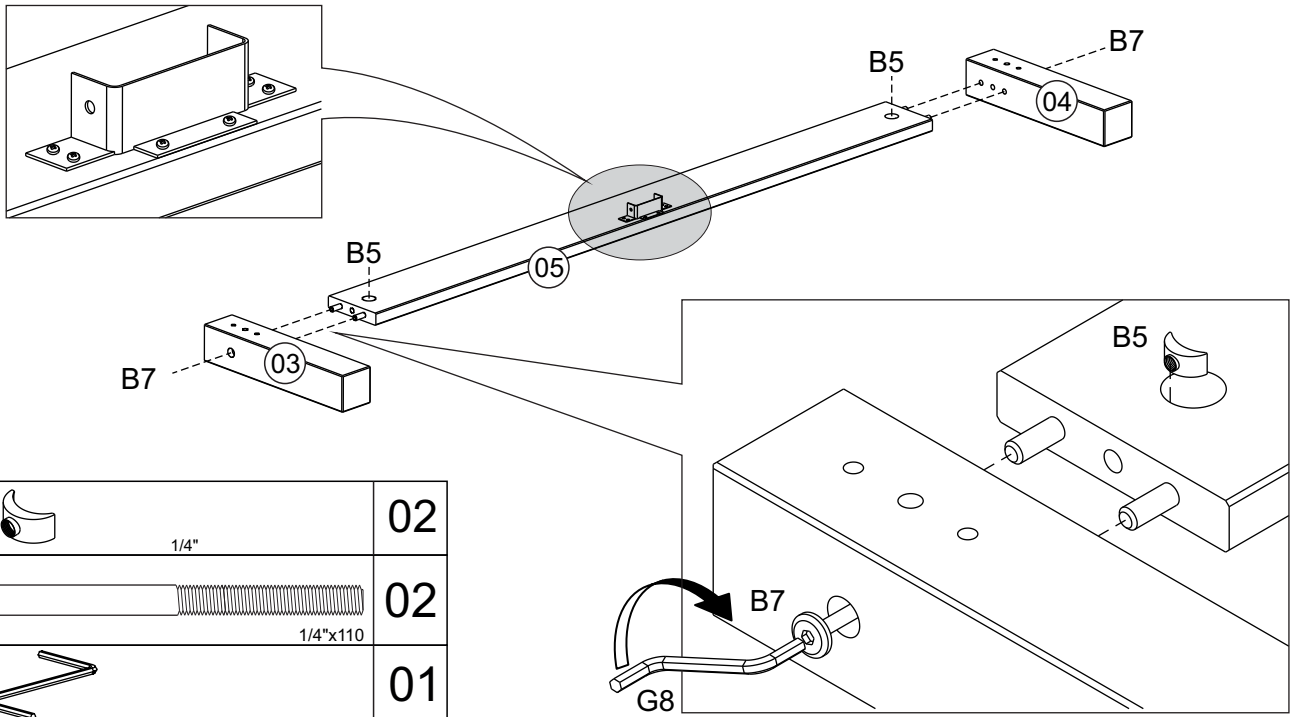
01)


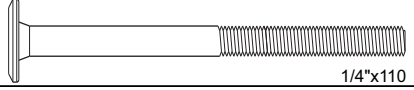



02)

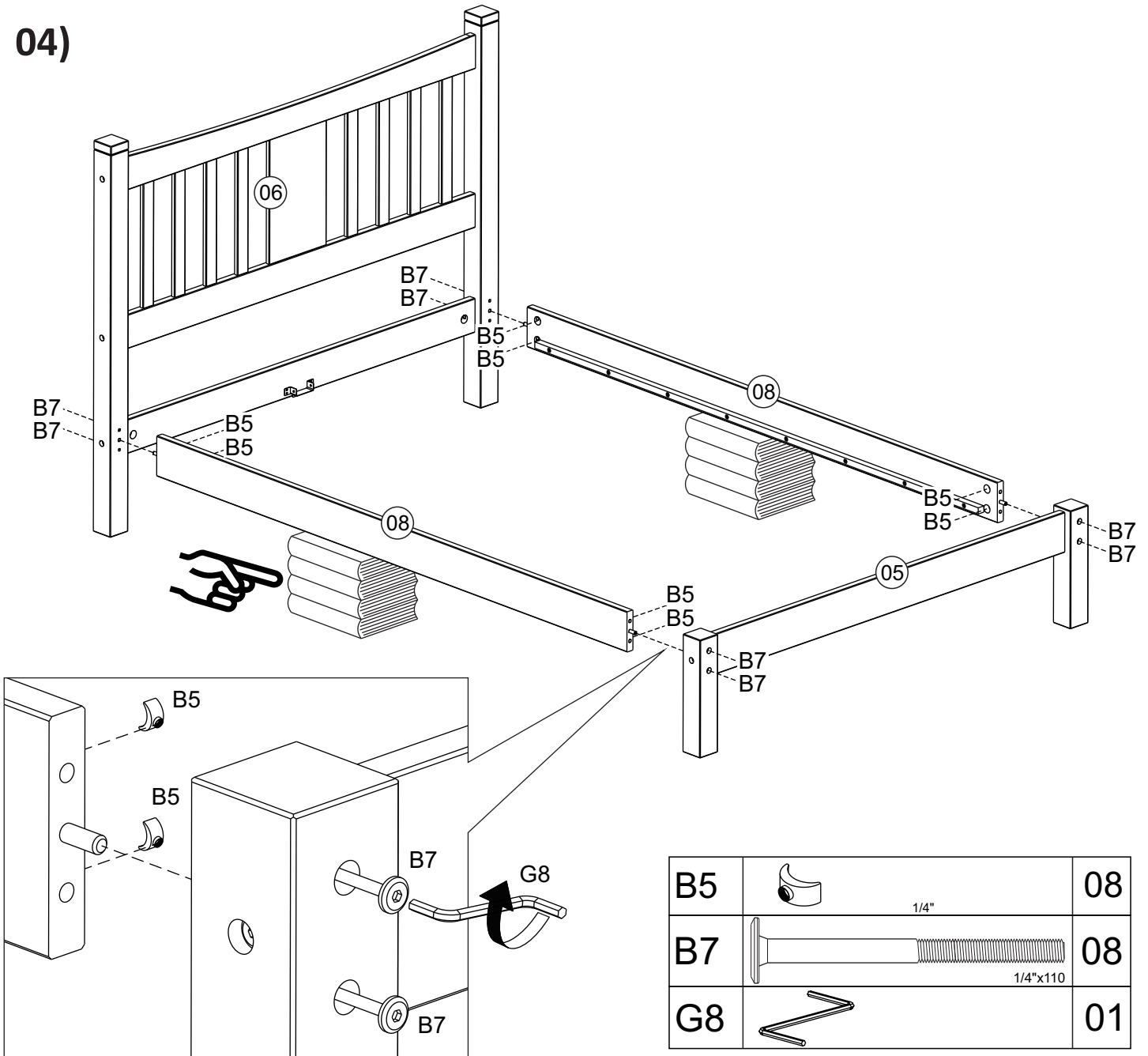



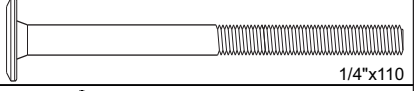

03)



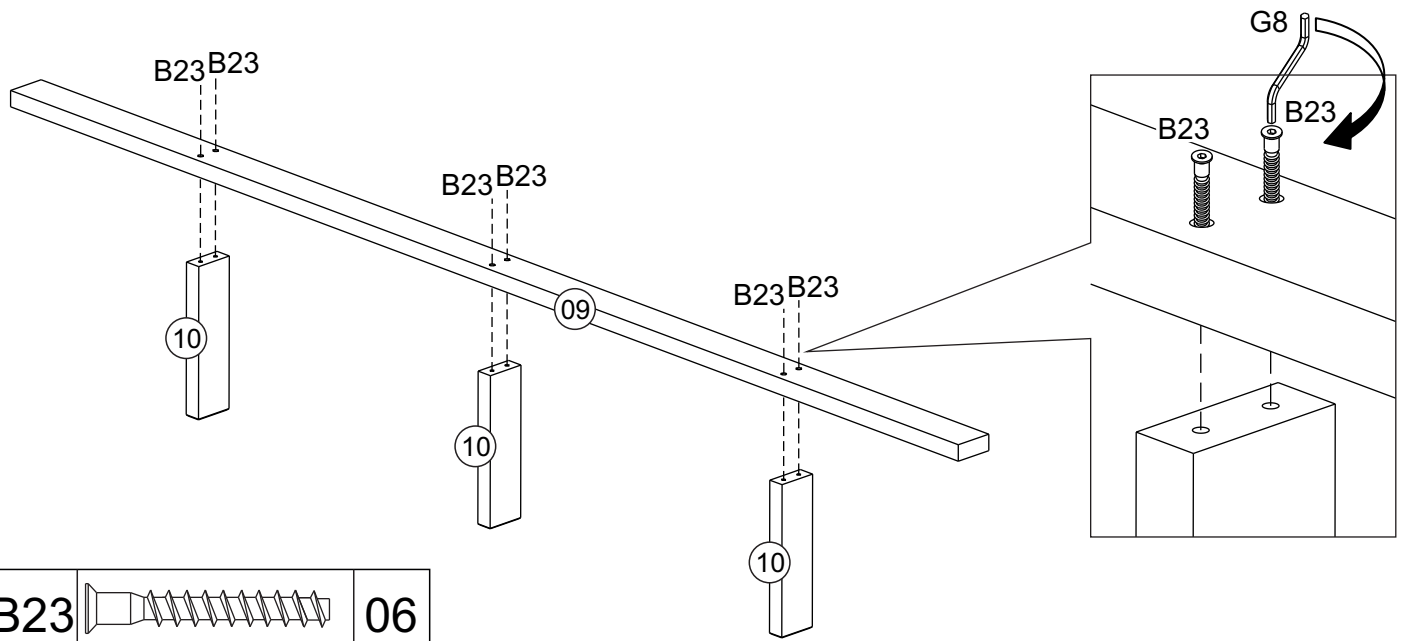
B5	 1/4"	02
B7	 1/4"x110	02
G8		01

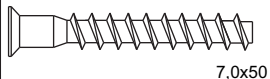

04)



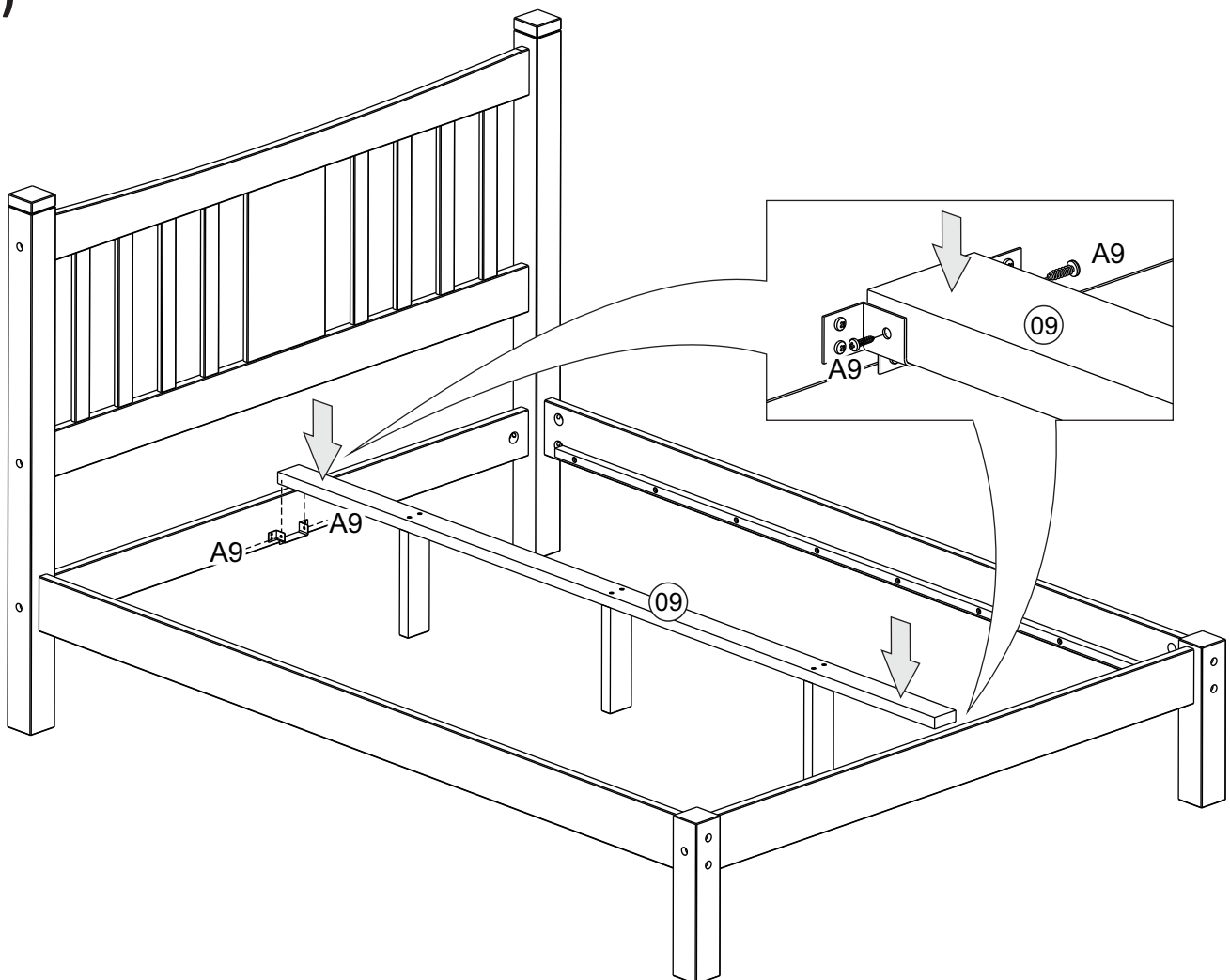
B5	 1/4"	08
B7	 1/4"x110	08
G8		01

05)



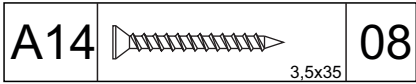
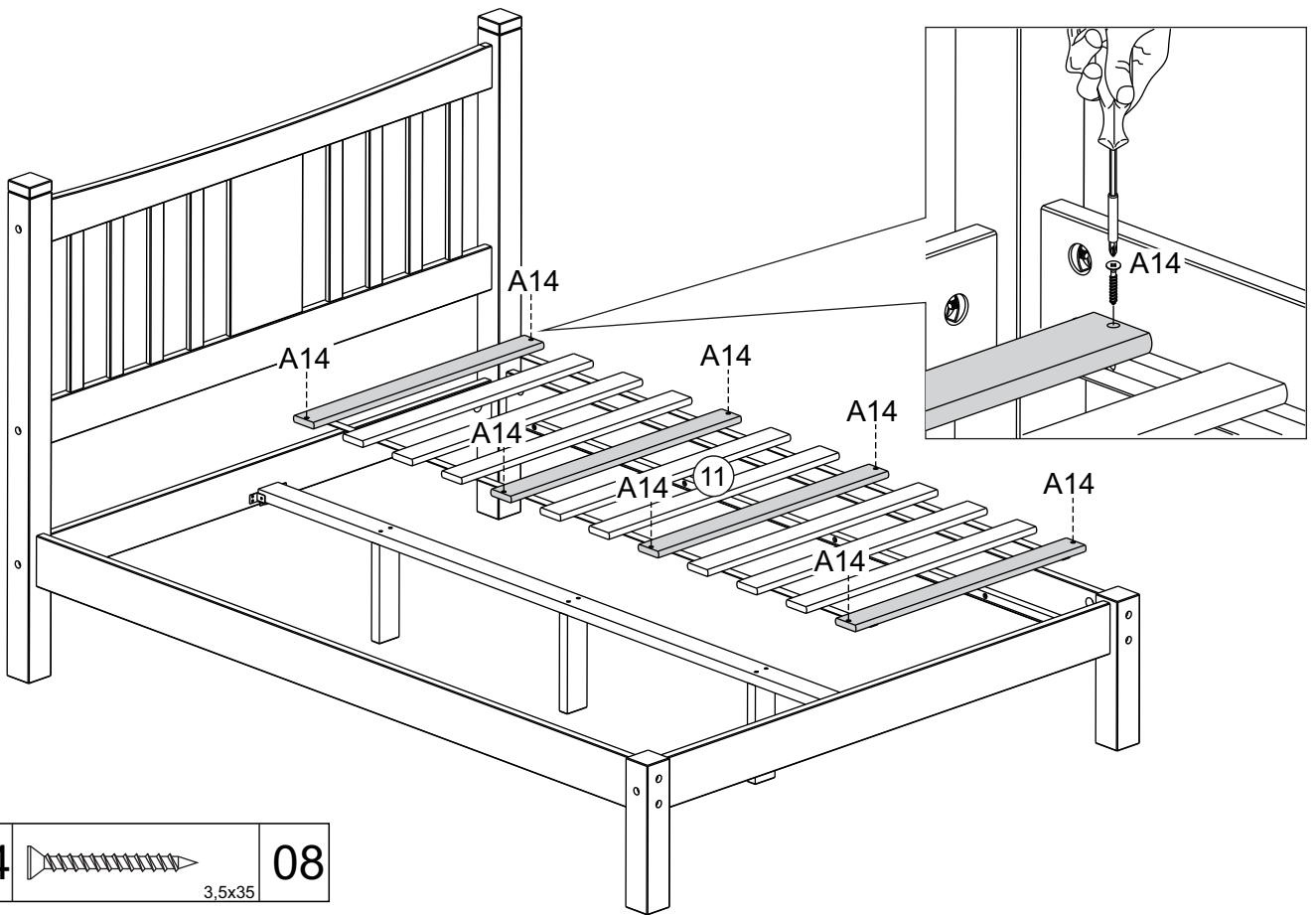
B23	 7,0x50	06
G8		01

06)

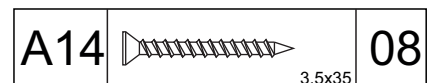
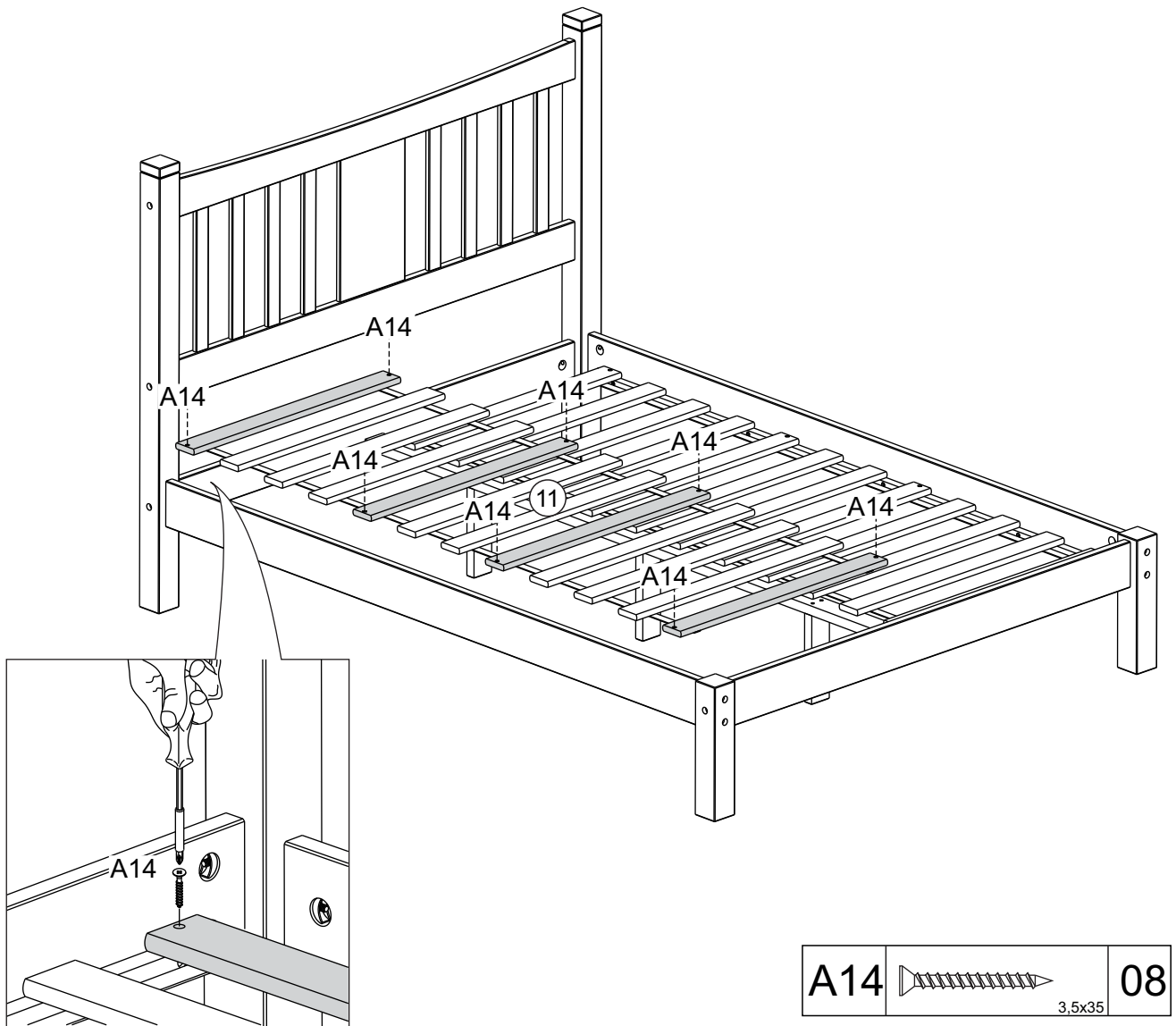


A9	 3,5x16	04
----	--	----

07)



08)



08)

