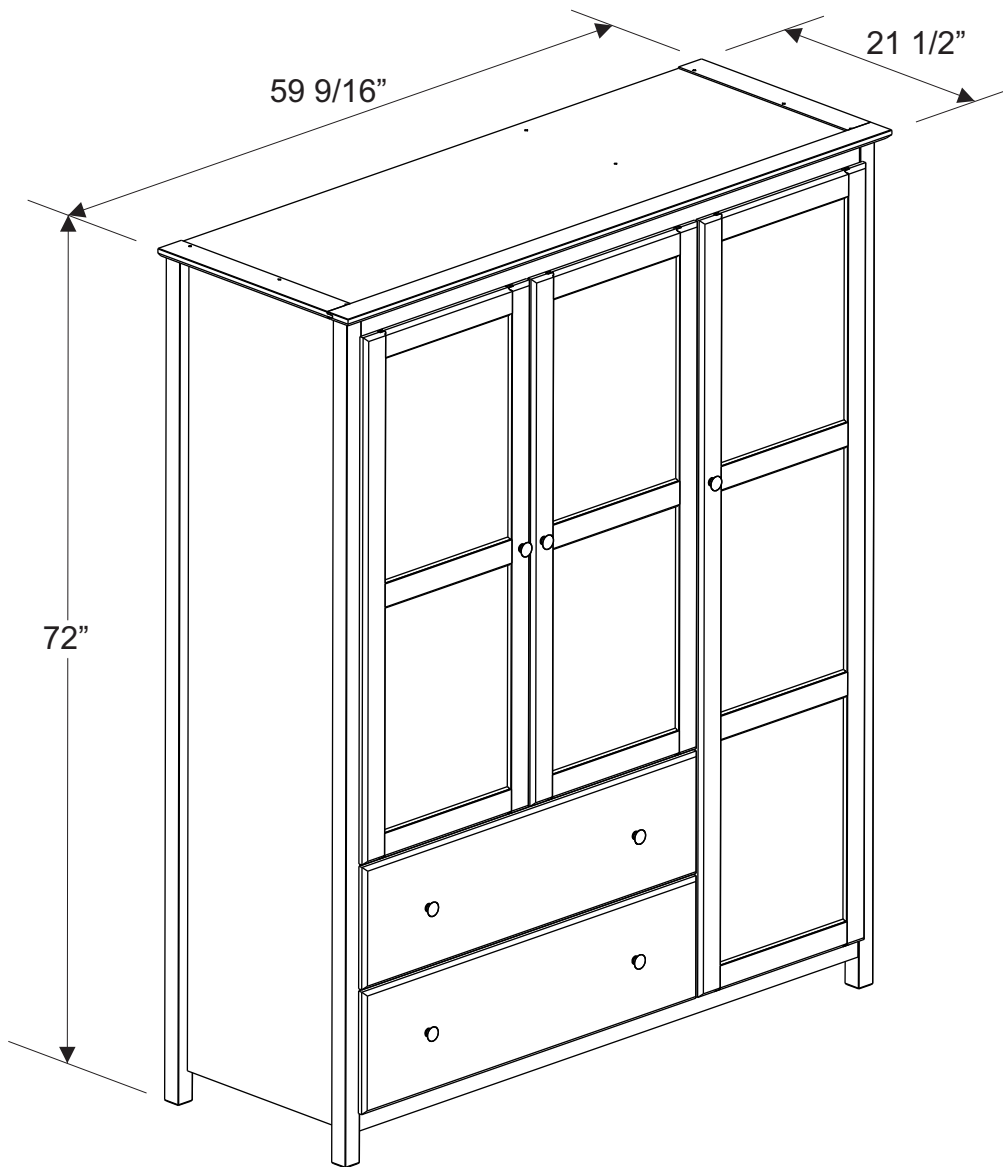


# Assembly Instructions

## Shaker Collection

### Wardrobe 3 Door 2 Drawer



Thank you for purchasing our furniture, it's an honor to be in your home!

Every effort has been made to ensure your Wood Furniture is of the finest quality. If you have any questions or need any replacement parts, please do not hesitate to contact us at [support@grainwoodfurniture.com](mailto:support@grainwoodfurniture.com) before attempting to return this item to the store.



				<table border="1"> <thead> <tr> <th>Model #</th> <th>Finish</th> </tr> </thead> <tbody> <tr> <td>SH090112</td> <td>Cherry</td> </tr> <tr> <td>SH090212</td> <td>Expresso</td> </tr> <tr> <td>SH090412</td> <td>Walnut</td> </tr> </tbody> </table>	Model #	Finish	SH090112	Cherry	SH090212	Expresso	SH090412	Walnut	<table border="1"> <thead> <tr> <th>Model #</th> <th>Finish</th> </tr> </thead> <tbody> <tr> <td>SH090112</td> <td>Cherry</td> </tr> <tr> <td>SH090212</td> <td>Expresso</td> </tr> <tr> <td>SH090412</td> <td>Walnut</td> </tr> </tbody> </table>	Model #	Finish	SH090112	Cherry	SH090212	Expresso	SH090412	Walnut
Model #	Finish																				
SH090112	Cherry																				
SH090212	Expresso																				
SH090412	Walnut																				
Model #	Finish																				
SH090112	Cherry																				
SH090212	Expresso																				
SH090412	Walnut																				

MADE IN BRAZIL

## PLEASE READ BELOW BEFORE BEGINNING YOUR ASSEMBLY

Here are some tips on assembling your flat-pack furniture in order to minimize your assembly time and frustrations:

- Do Not throw away packaging material until assembly is complete.
- Assemble the item on a soft surface, such as cardboard or old blanket, to protect finish from possible dents or scratches.
- Choose a spacious, open area near where the piece will be located. It is easier to move parts than to relocate the furniture after it is fully assembled, depending on its size and weight.
- Organize everything and count it twice. If you organize the items by parts, you'll find it much easier to grab each piece as you build.
- Check each part for cracks or flaws, such as improperly drilled holes, and count multiple parts. If there are any problems or missing pieces, contact us by email [support@grainwoodfurniture.com](mailto:support@grainwoodfurniture.com) providing model number, part number and description of the problem to arrange a replacement.
- Real Wood furniture may present imperfections such as wood knots, minor splits or cracks that are part of the natural aspect of the material. In few cases, also can be caused by variations of air moisture and temperature. Whenever stability of the piece of furniture is not compromised we recommend customers to perform cosmetic touch-ups by wax crayon fillers sold at all major hardware stores.
- It is best to use any tools the kit provides, such as a hex key, because they may be specially sized for that piece of furniture. We do not recommend the use of power drill, it can damage your furniture if not used correctly.
- Read the entire list of instructions, arranging your parts in order of use as you go.
- Finally, Enlist a help from friends and family since proper assembly of most items require 2 people.

### **Wood Furniture Care:**

- *Clean with a cloth dampened with water or furniture polish following the pattern of the grain.*
- *Do NOT use solvents such as alcohol for cleaning.*
- *Avoid placing under direct sun light, to prevent UV damage.*
- *Avoid positioning very close to heaters or AC vents.*
- *Hot pads should always be used when placing warm serving dishes on your furniture.*
- *Very hot items such as a sauce pan or baking dish should never be placed on a tabletop, even with a hot pad.*
- *Place mats will help to protect the finish from dishes and silverware, and coasters will help protect your furniture from moisture.*

Enjoy your Real Wood Furniture!



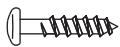

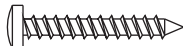




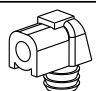

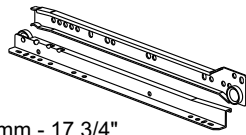
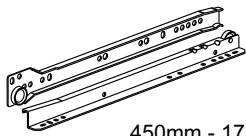
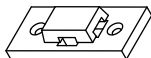


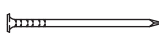
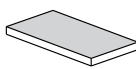



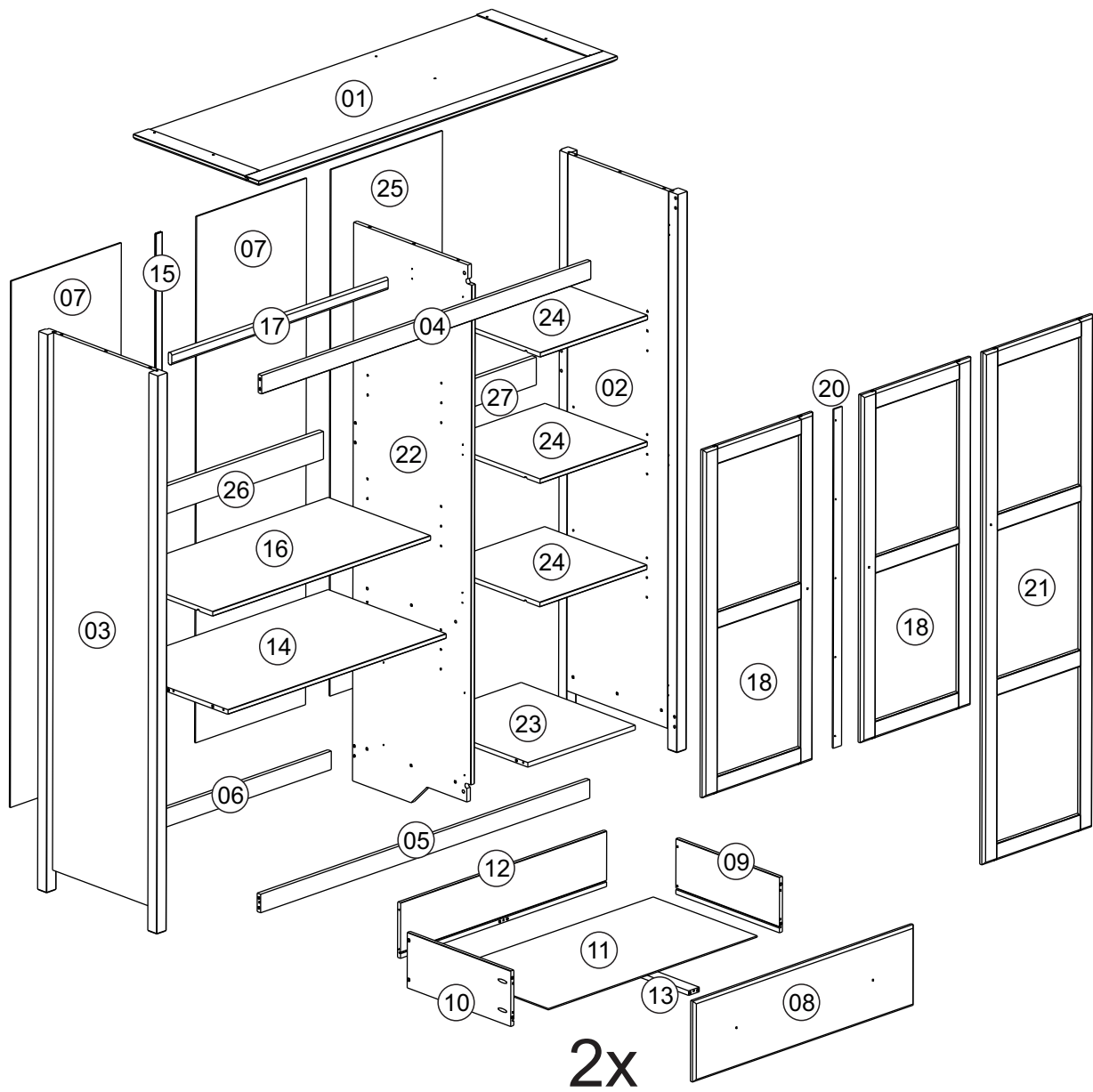
# HARDWARE LIST

## ATTENTION

Before starting assembly please verify if the hardware set is complete.

For missing hardware please contact [support@grainwoodfurniture.com](mailto:support@grainwoodfurniture.com)

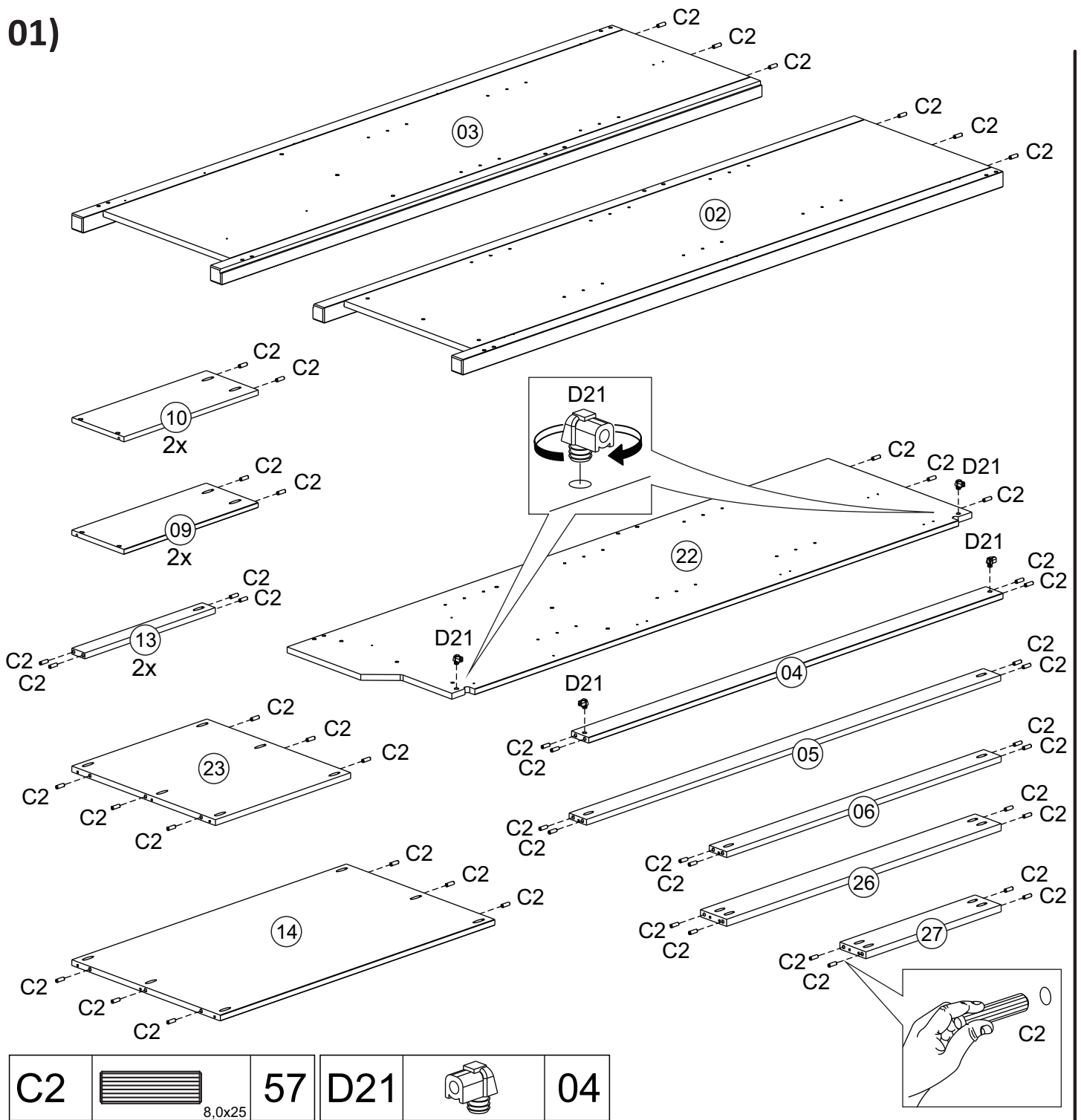
A1	 4,0x30	44 + 2
A4	 3,5x14	26 + 2
A9	 3,5x16	55 + 2
A16	 4,0x40	09 + 1
A18	 4,0x25	04 + 1
A25	 M4x25	07 + 1
C2	 8,0x25	57 + 2
D4	 metal	16 + 1
D10		02
D21		04 + 1
D27		05
E10	 450mm - 17 3/4"	02
E11	 450mm - 17 3/4"	02
F8		02
F9		01
F10		09
G1	 10x10	70
G11		06
H4	 Pz04	07



## Parts list

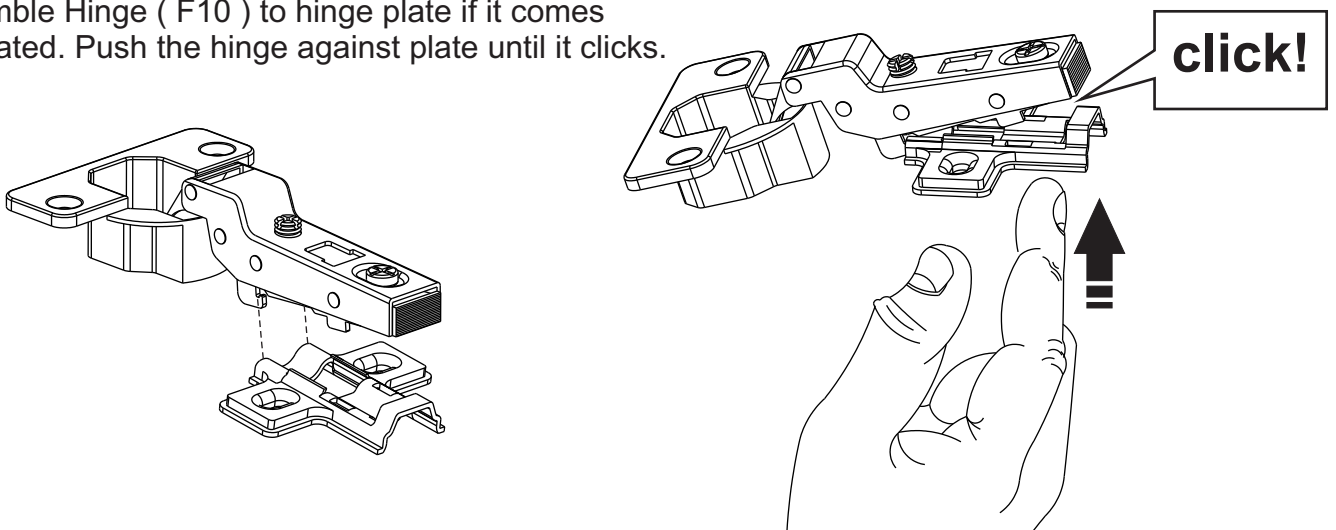
Box 1			Box 2		
Part #	Description	qty	Part #	Description	qty
01	Top	1	06	Rear crosspiece	1
02	Right side	1	08	Drawer front	2
03	Left side	1	09	Drawer right side	2
04	Upper crosspiece	1	10	Drawer Left side	2
05	Lower crosspiece	1	11	Drawer bottom	2
07	Back panel	2	12	Drawer back	2
15	Profile "H"	1	13	Drawer bottom support	2
20	Door stop	1	14	Fixed shelf	1
21	Right door - tall	1	16	Wide shelf (adjustable)	1
22	Division	1	17	Hanging bar	1
25	Back panel	1	18	Door - short	2
			23	Base short	1
			24	Narrow shelf (adjustable)	3
			26	Long stabilizer	1
			27	Long stabilizer	1
				Hardware	1

01)

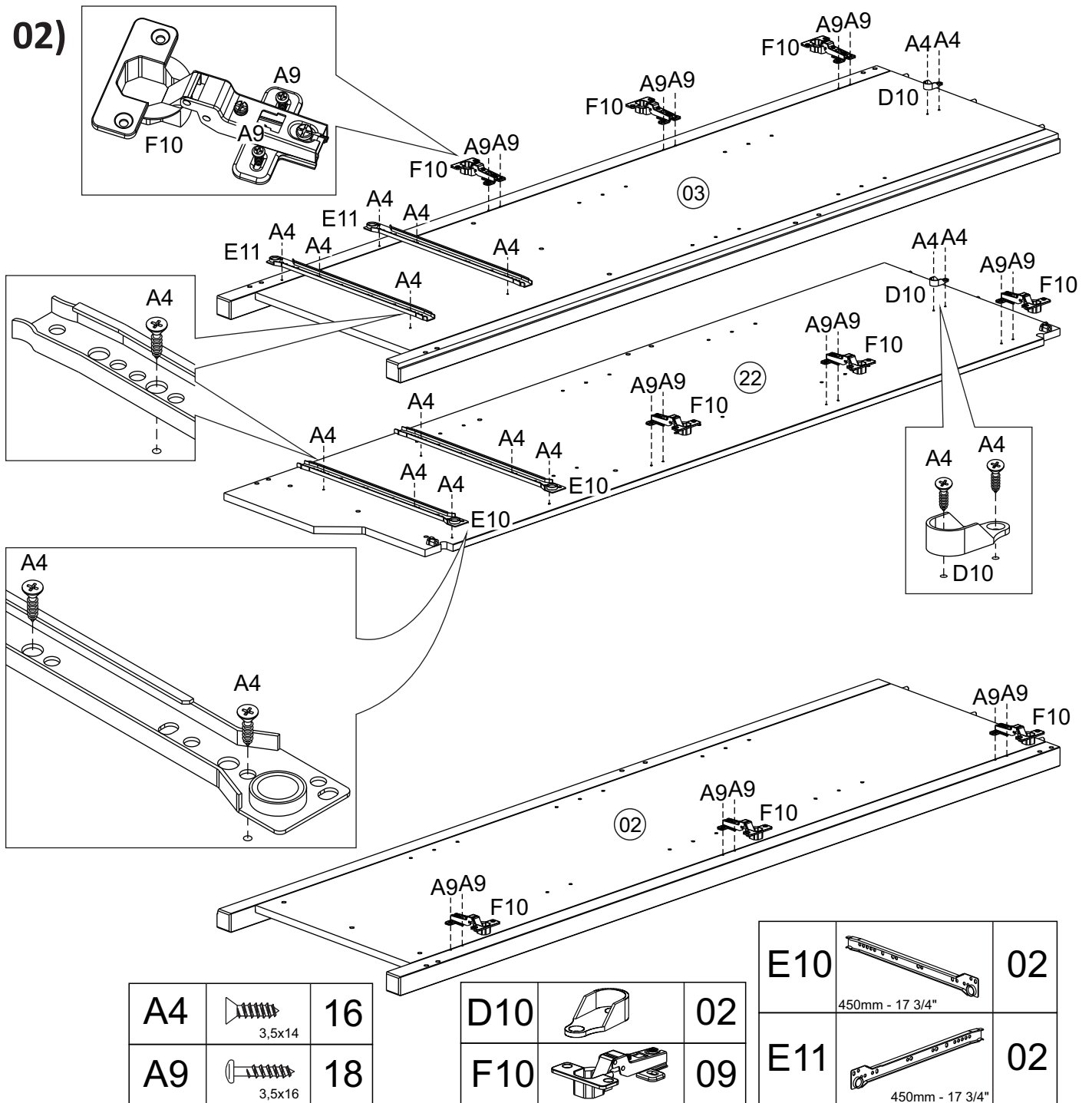


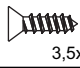
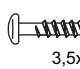
### ATTENTION PLEASE!


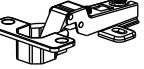
Assemble Hinge ( F10 ) to hinge plate if it comes separated. Push the hinge against plate until it clicks.

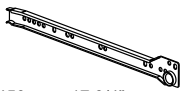
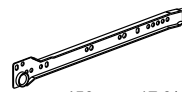


02)

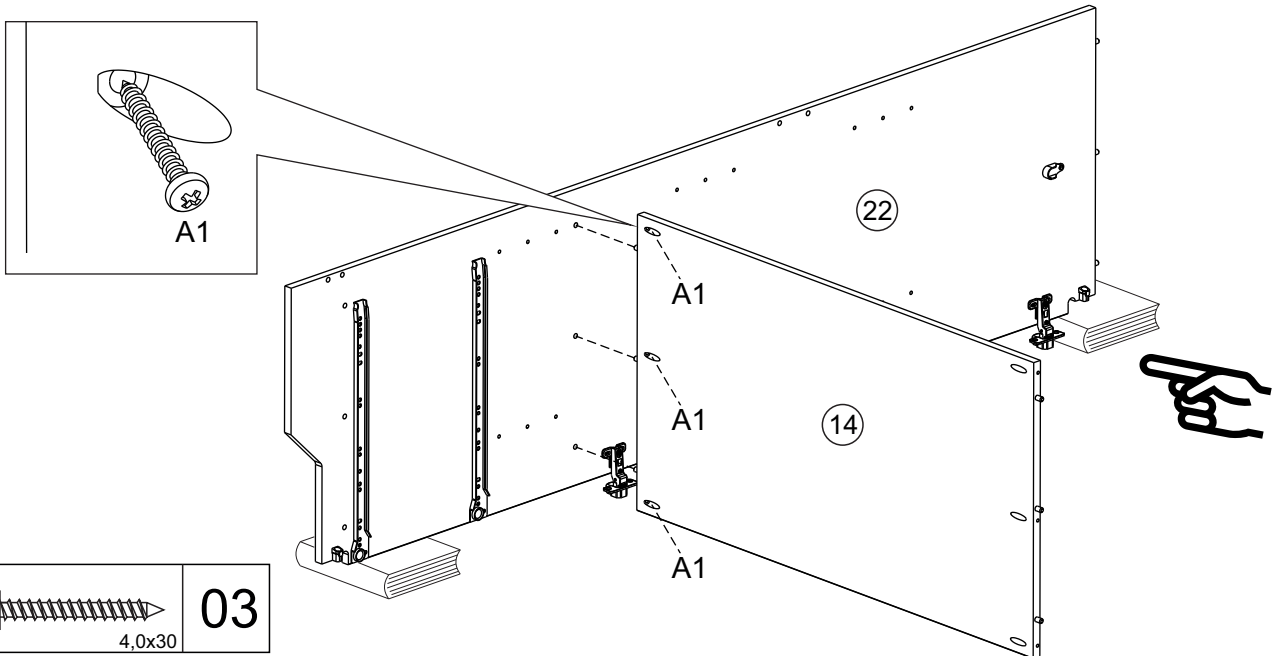



A4	 3,5x14	16
A9	 3,5x16	18

D10		02
F10		09

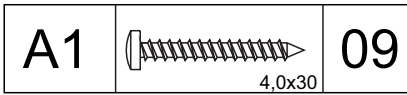
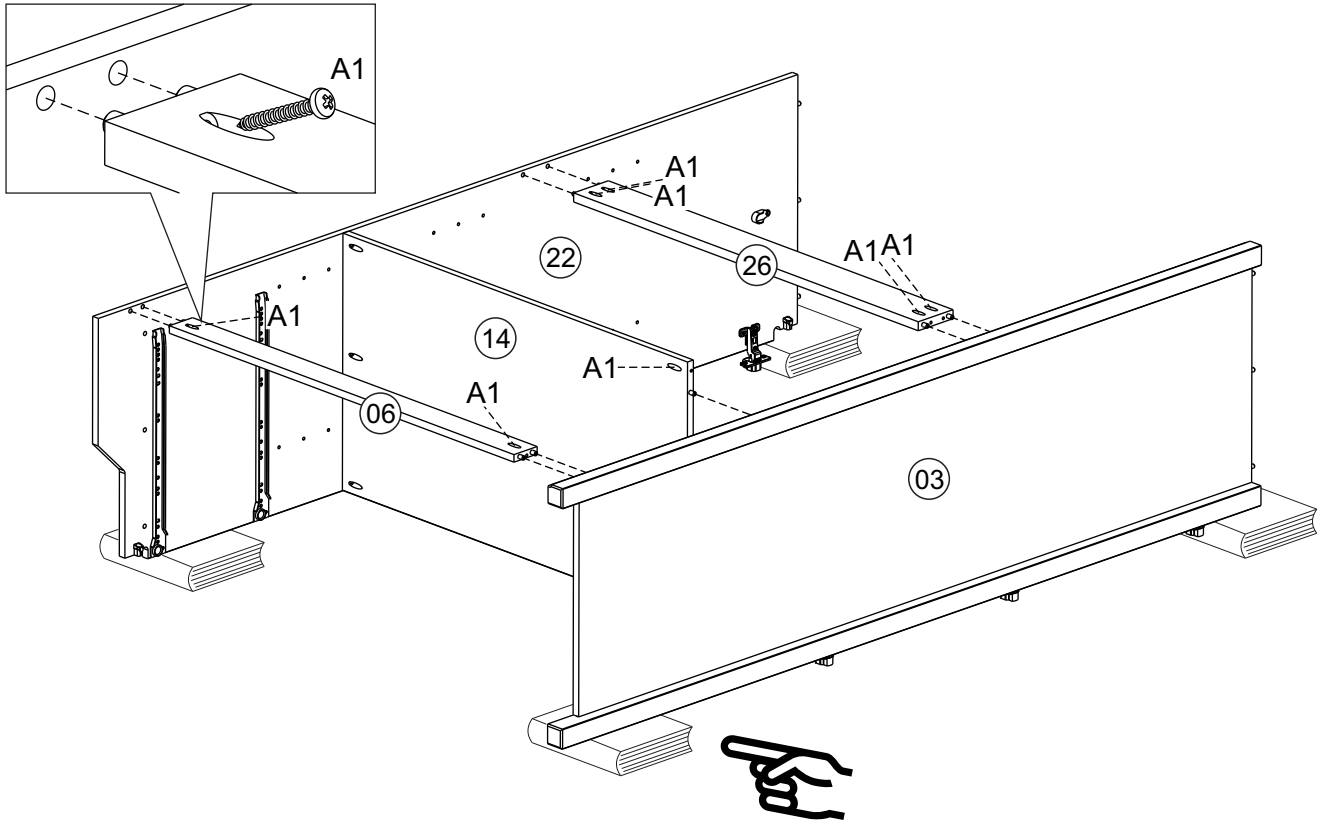
E10	 450mm - 17 3/4"	02
E11	 450mm - 17 3/4"	02

03)

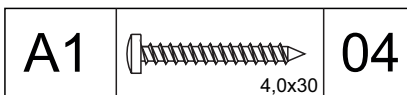
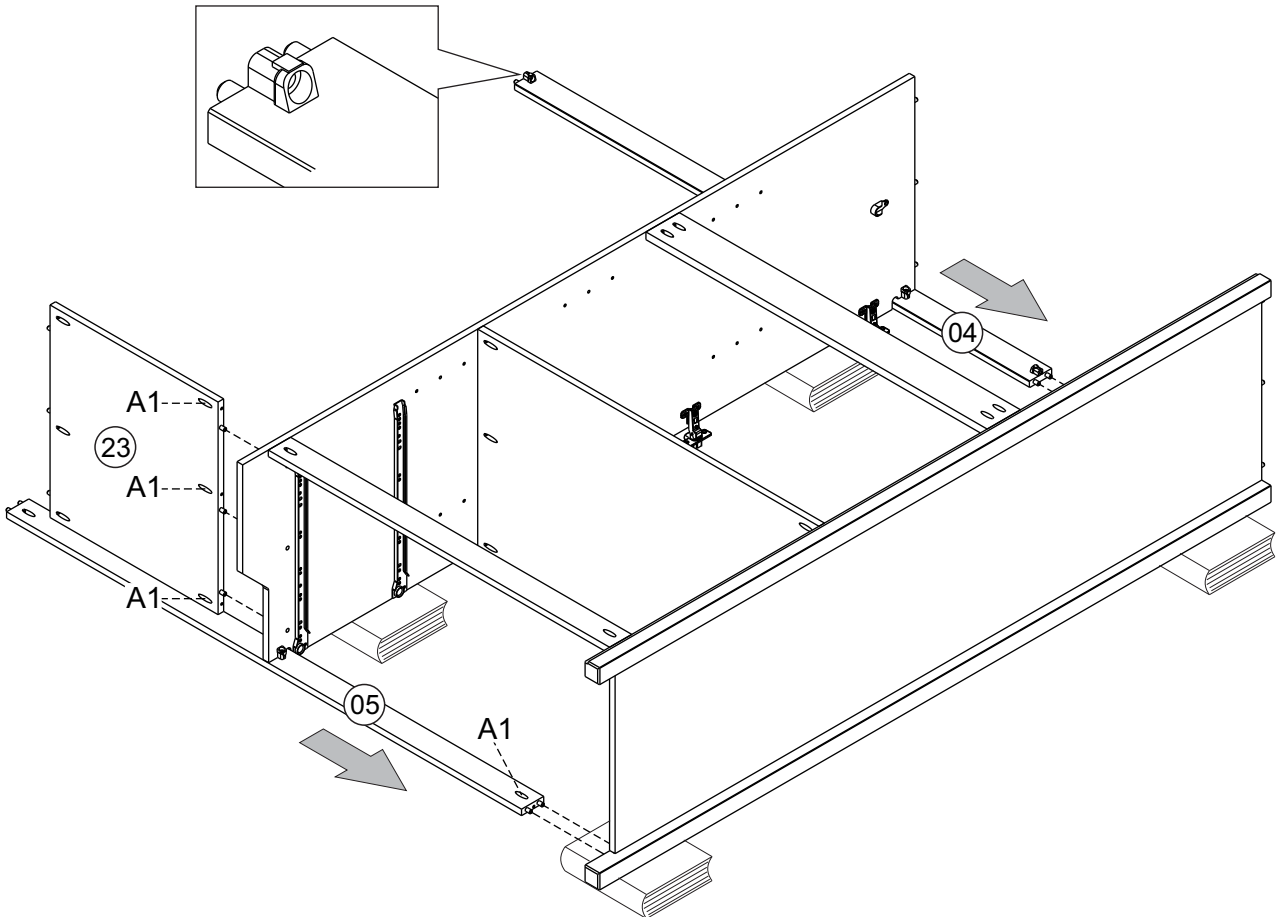


A1	 4,0x30	03
----	---	----

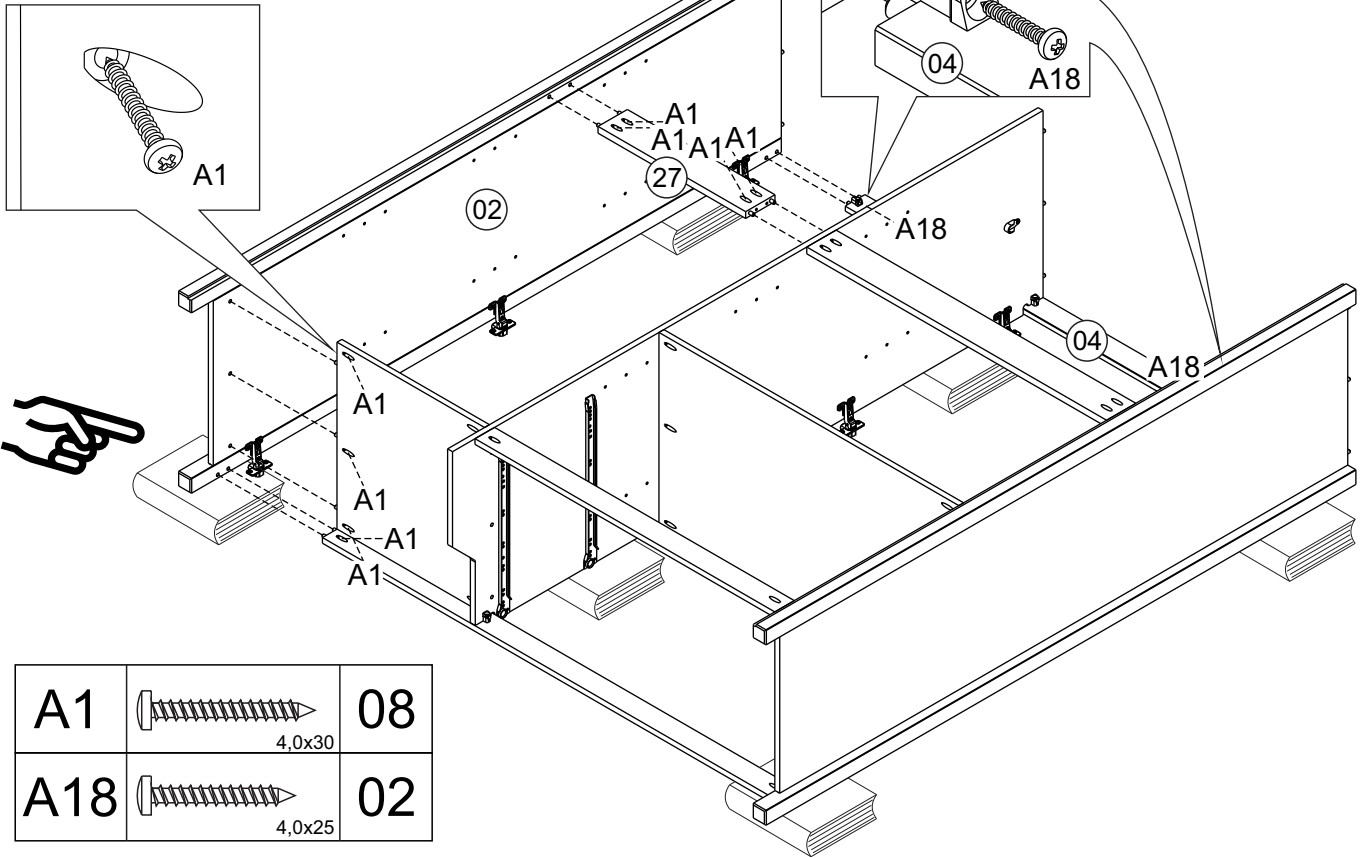
04)





05)

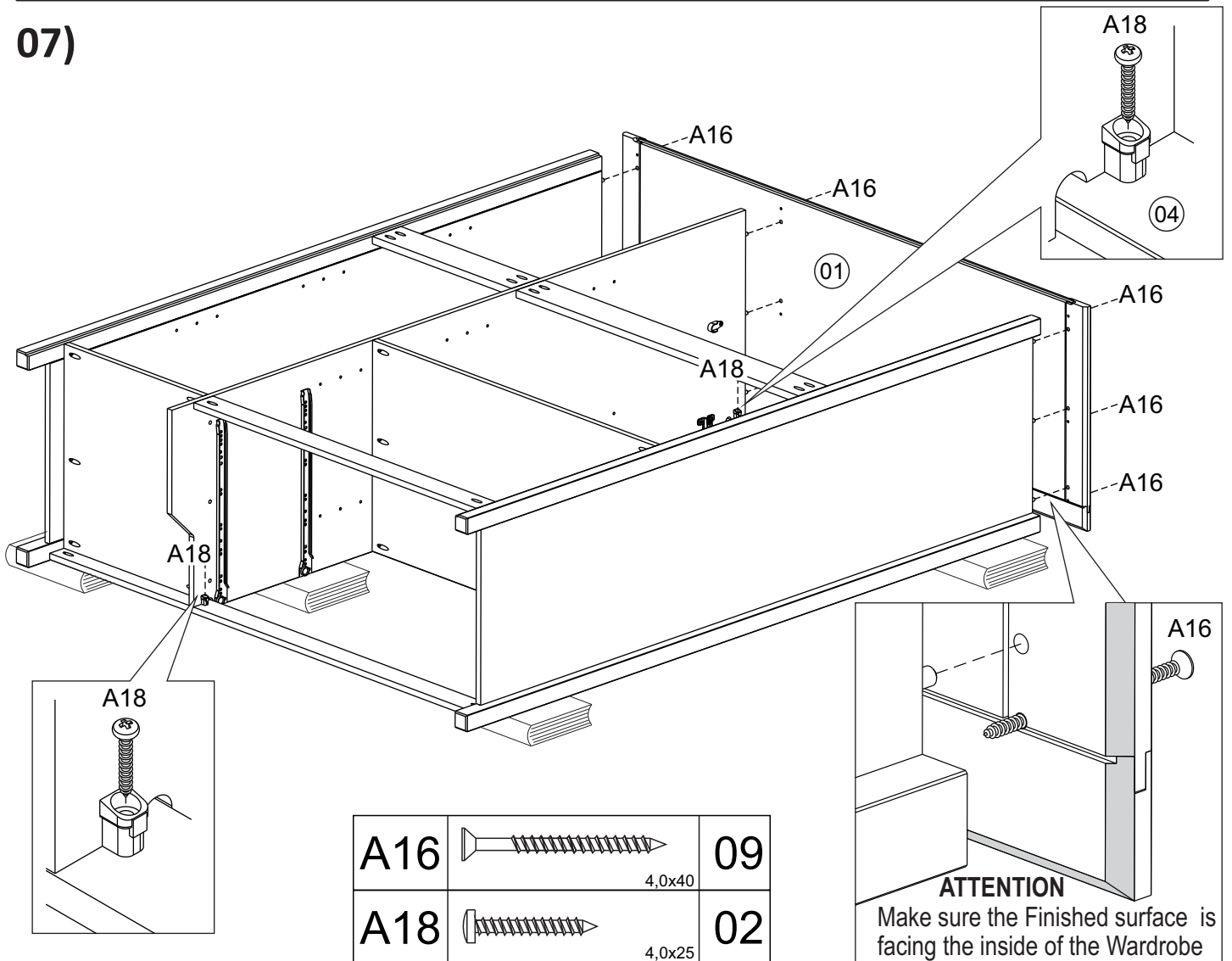


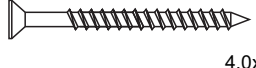

06)

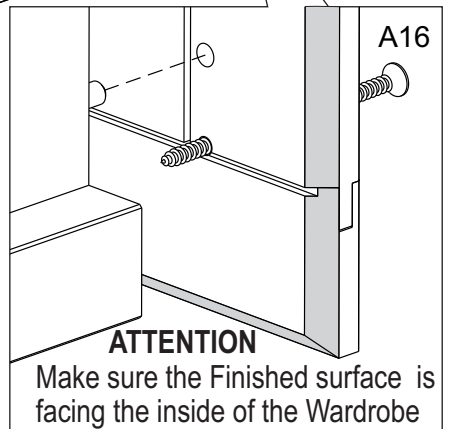


A1		08
A18		02

07)

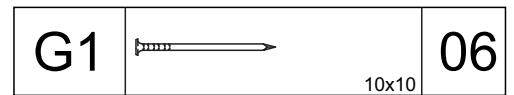
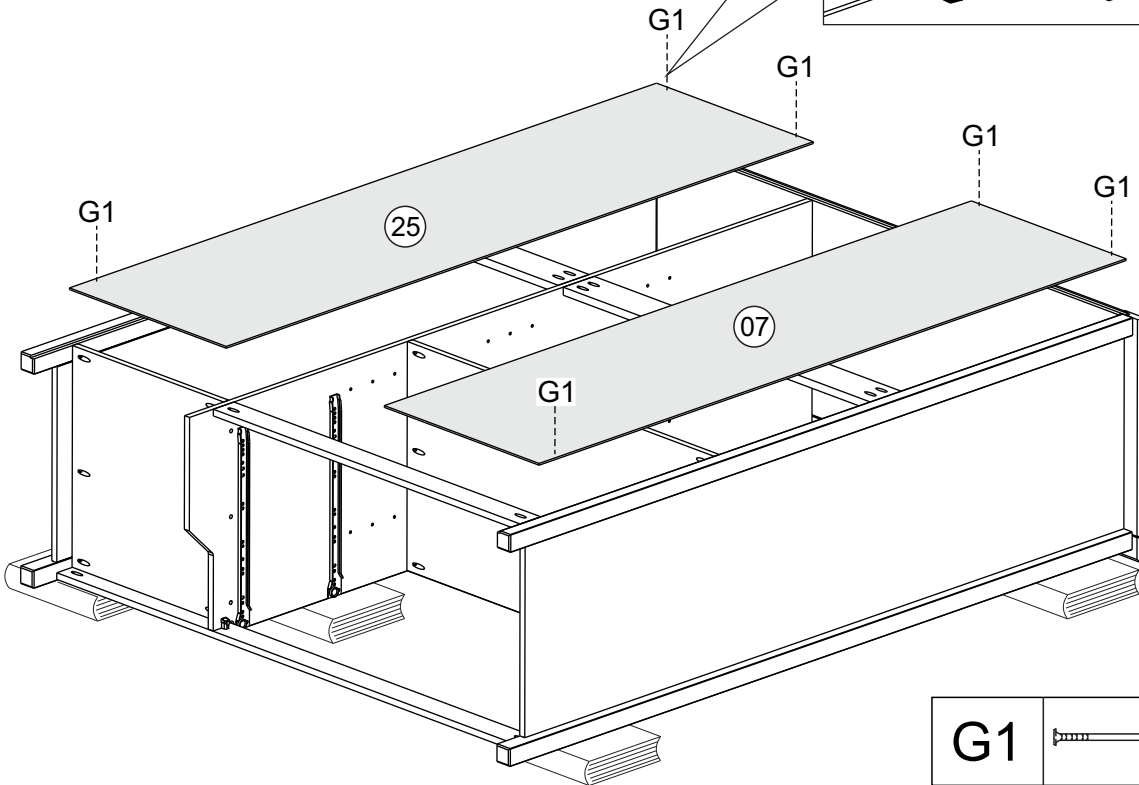
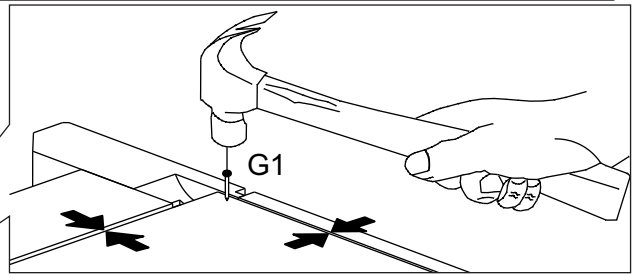


A16		09
A18		02

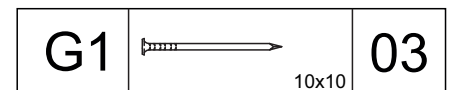
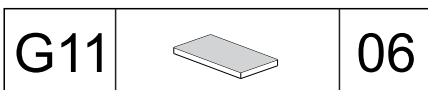
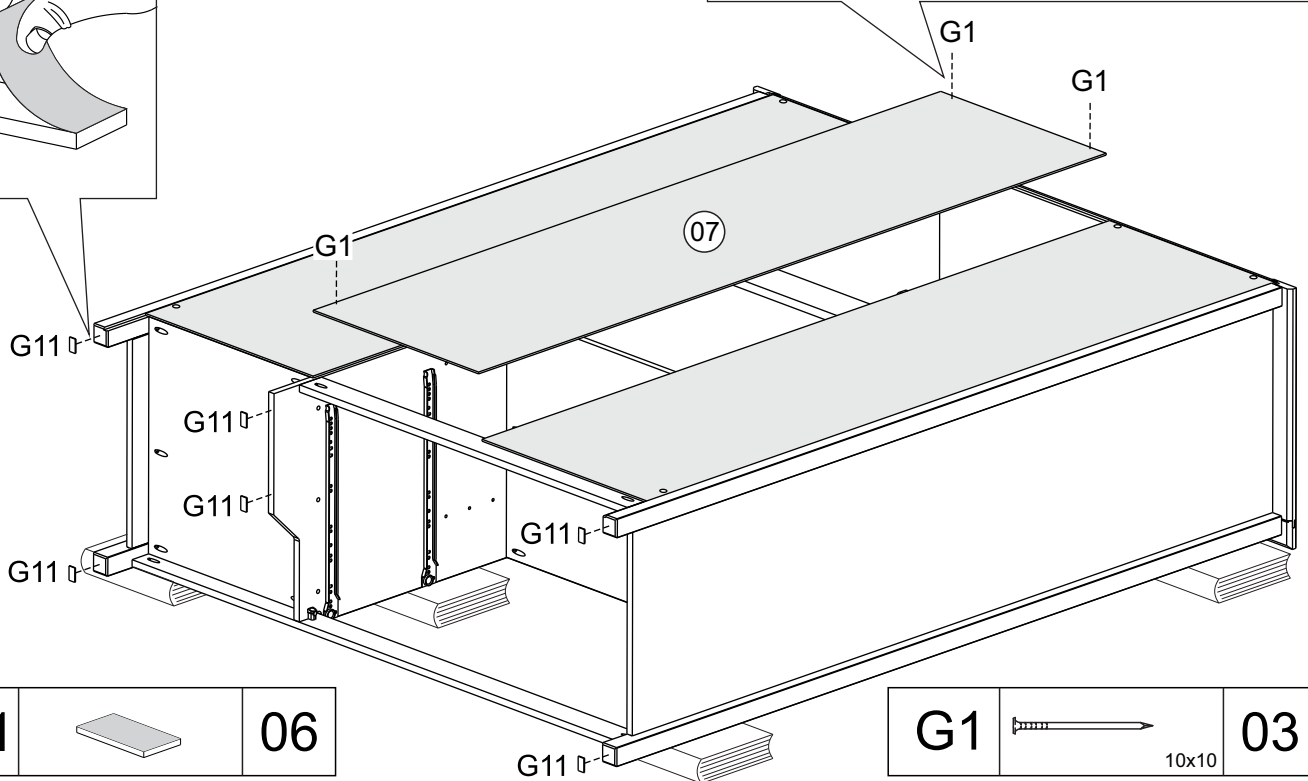
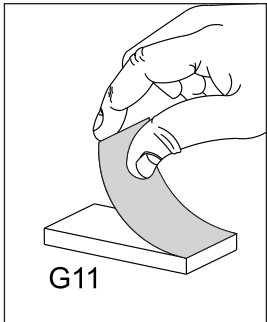
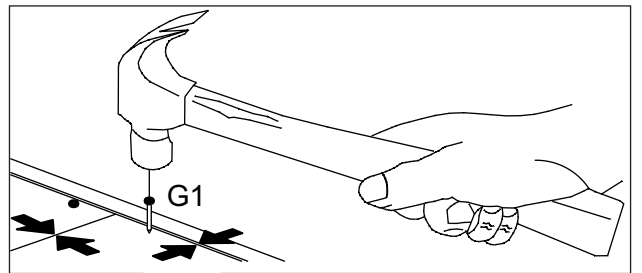




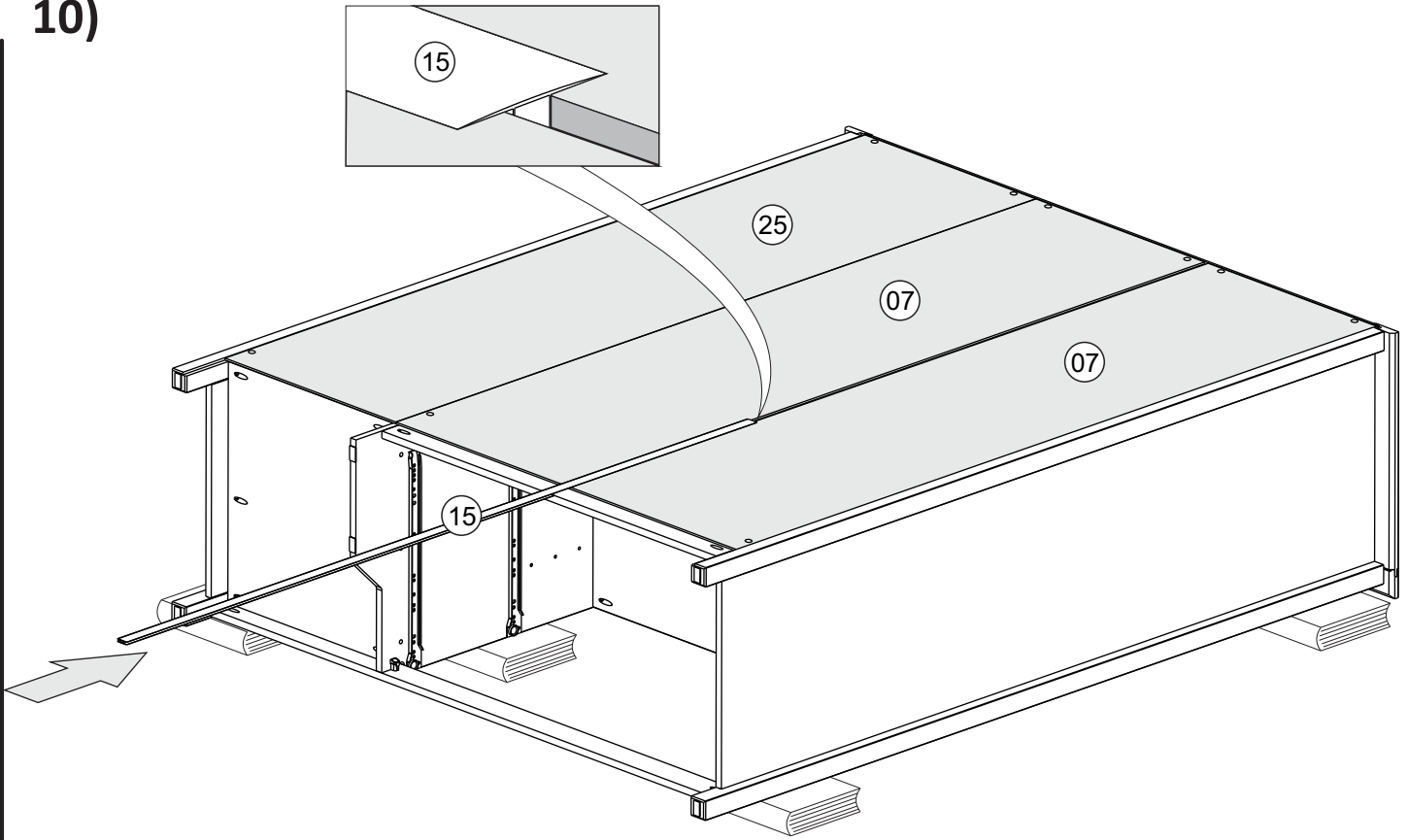
08)



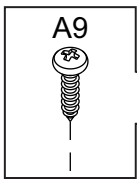
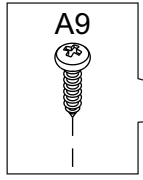
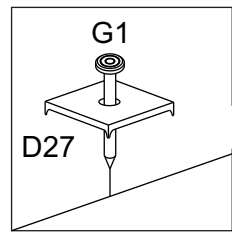
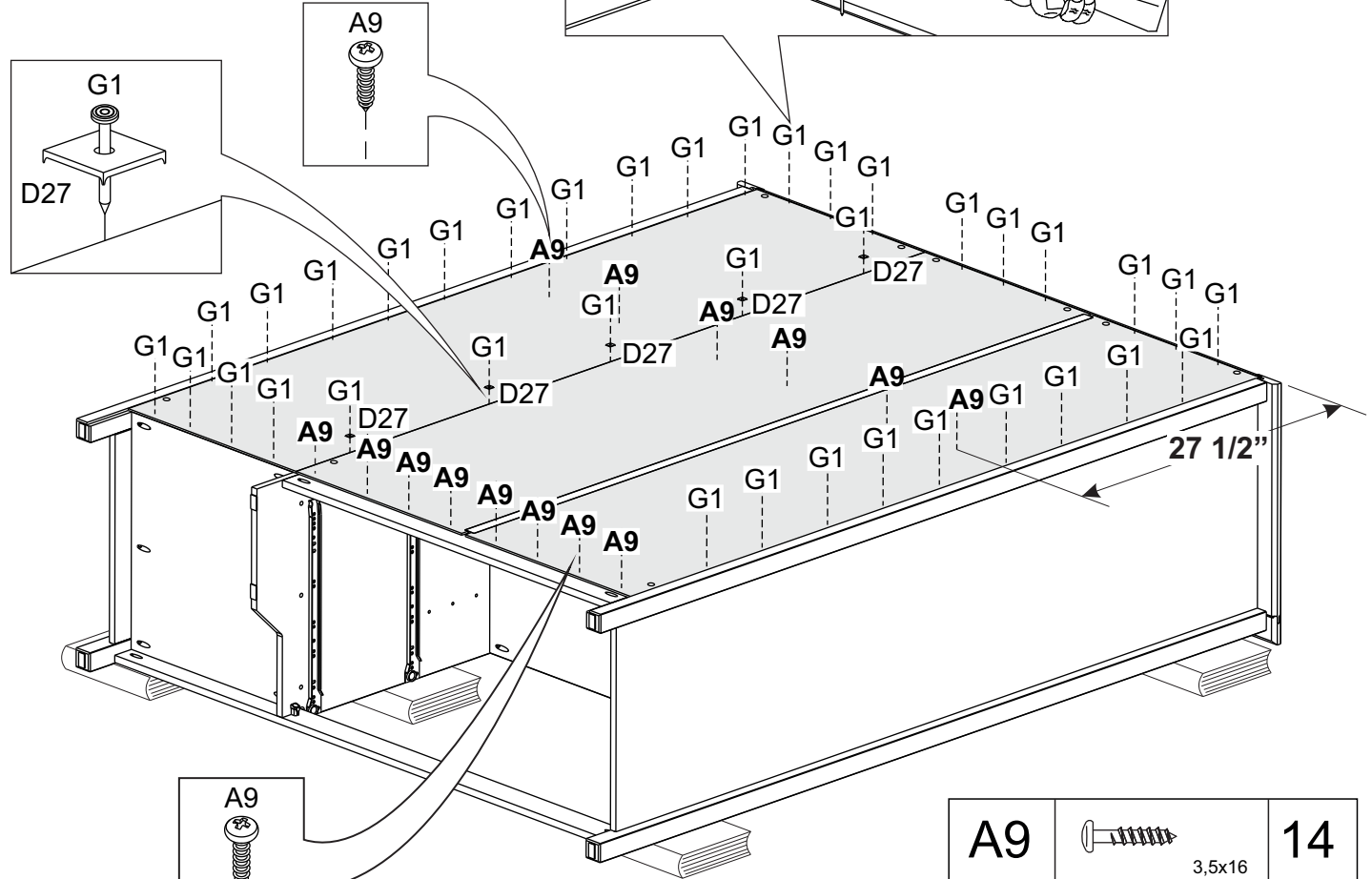
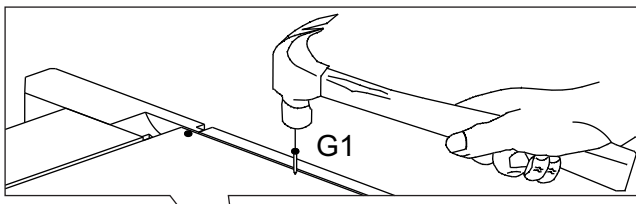
09)



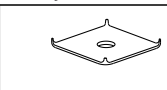
10)



11)



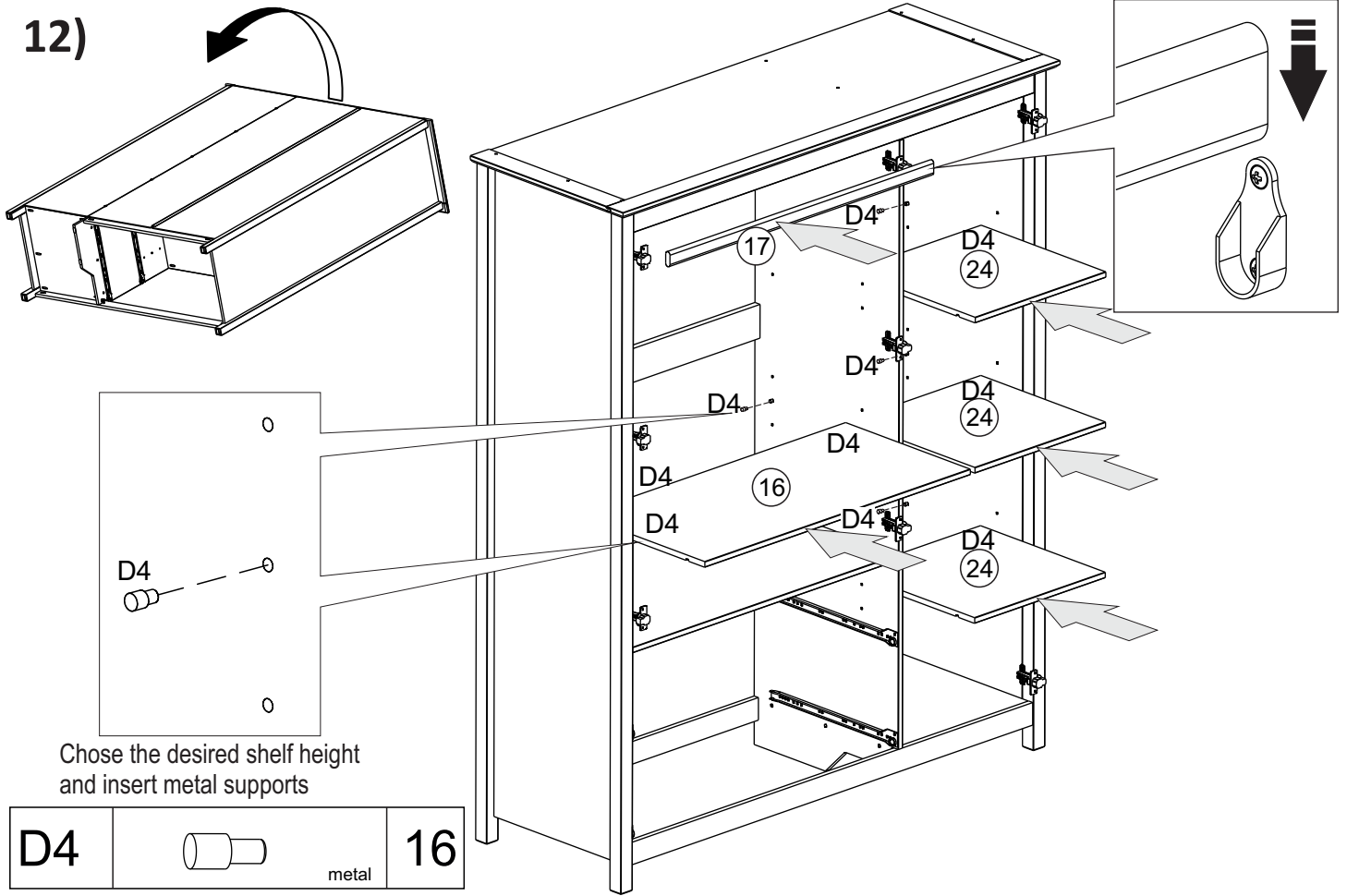
D27



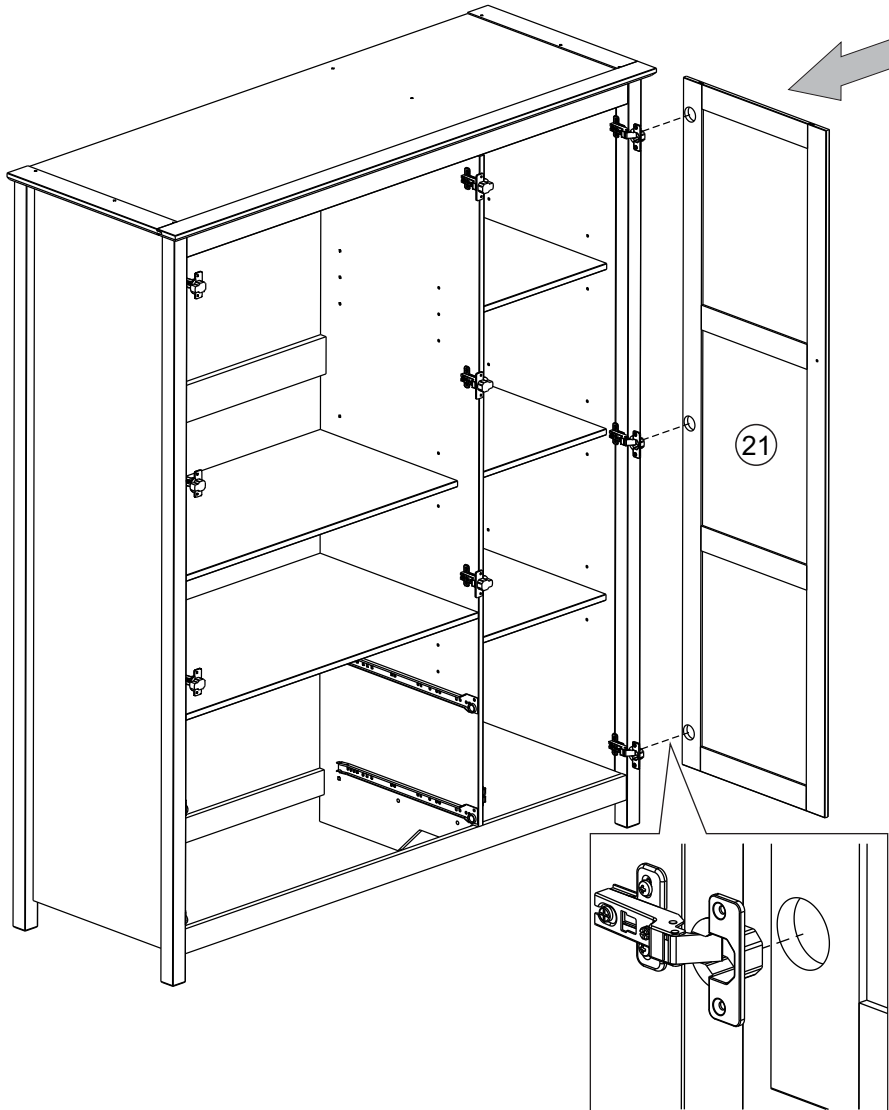
05

A9	3.5x16	14
G1	10x10	61

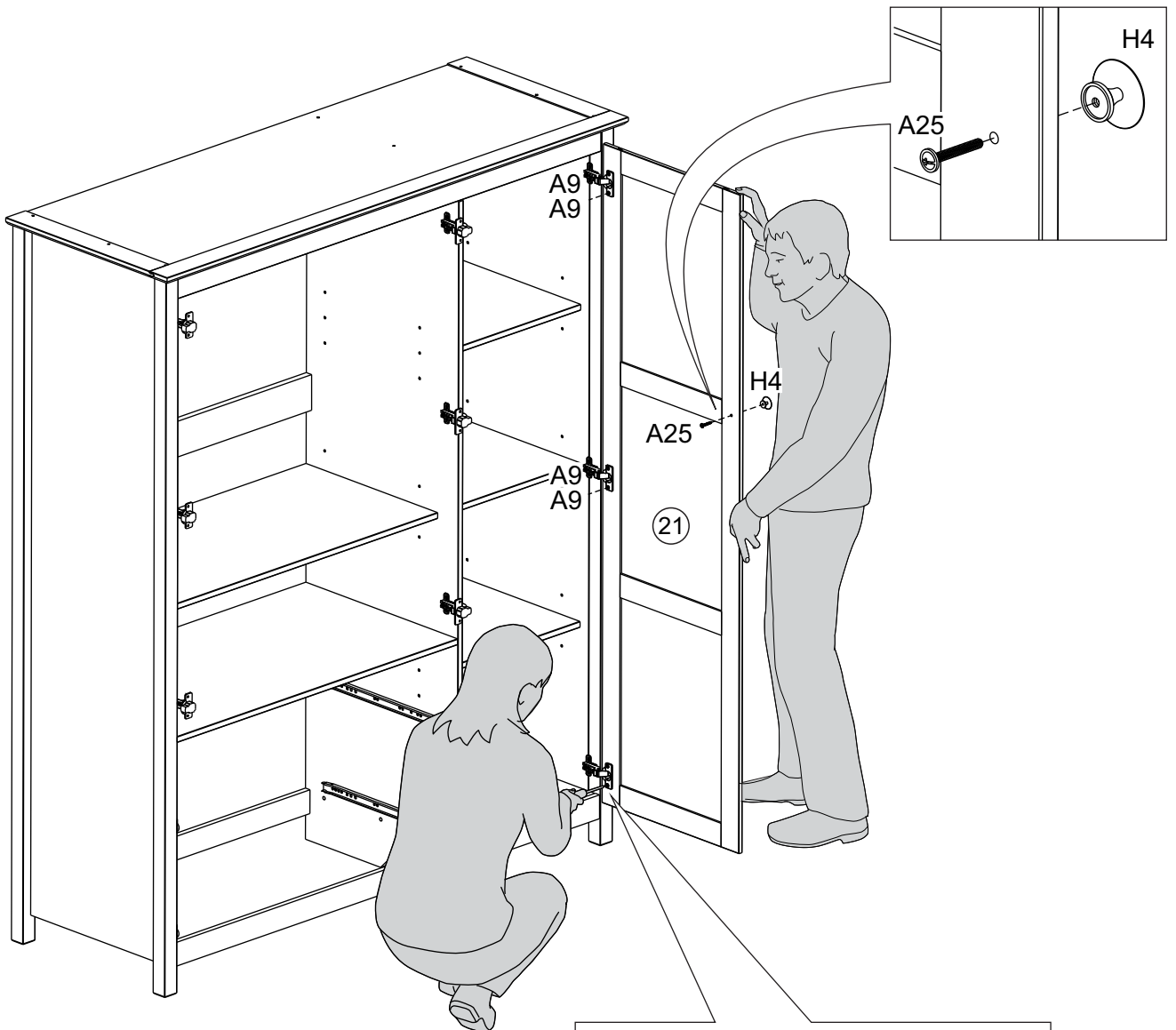
12)






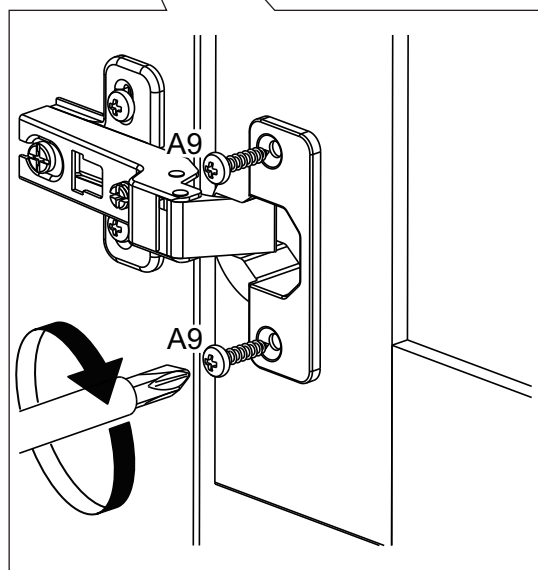
13)



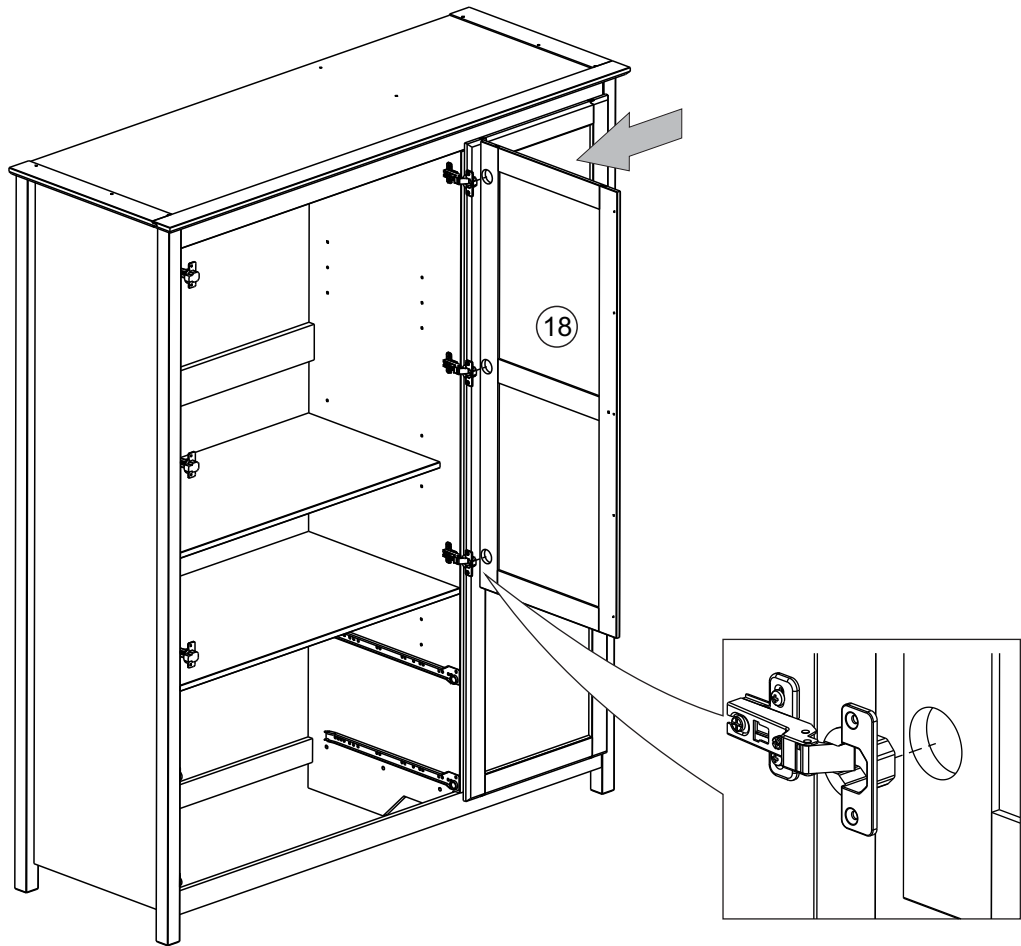
14)



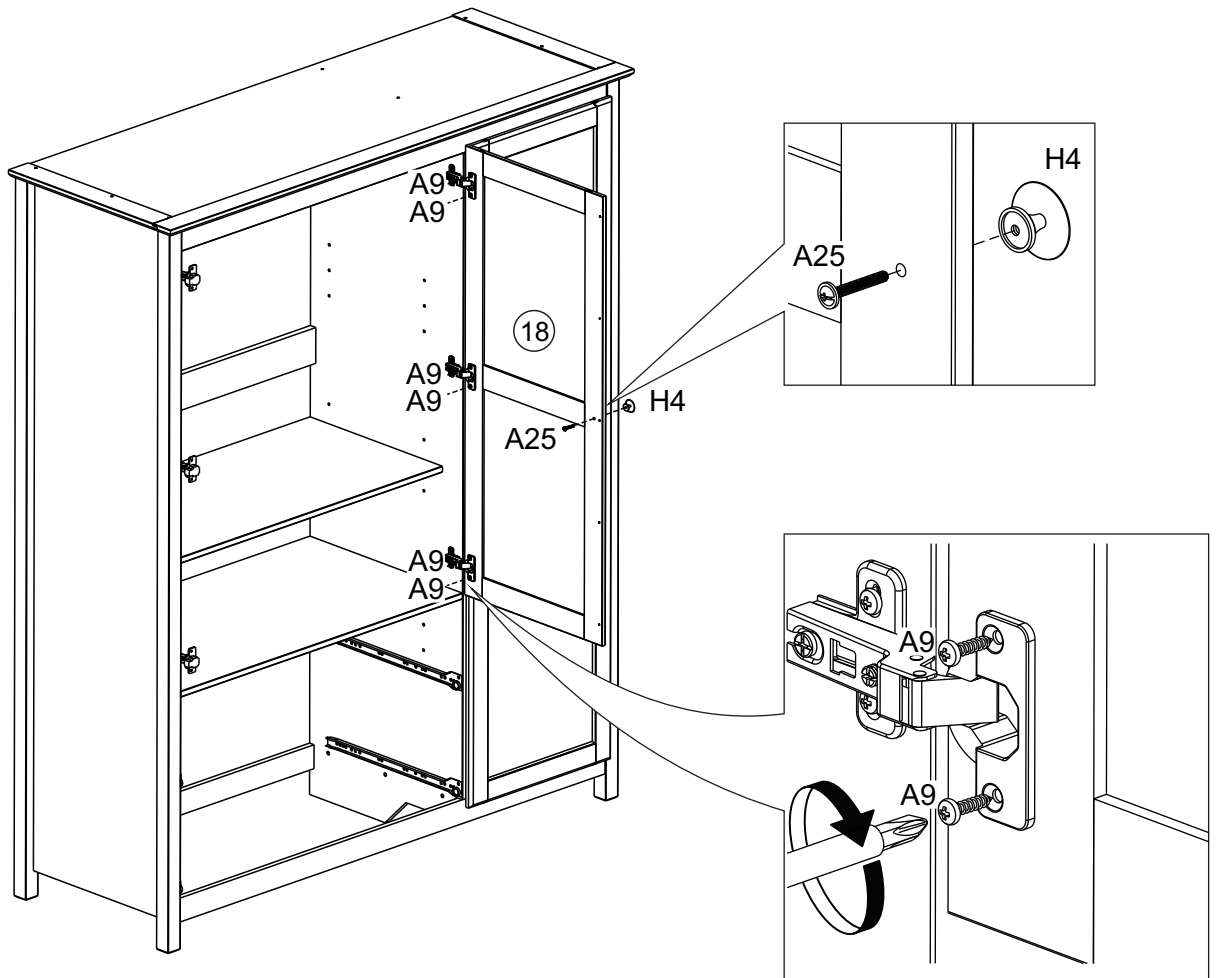
A9	 3,5x16	06
A25	 M4x25	01
H4		01






15)

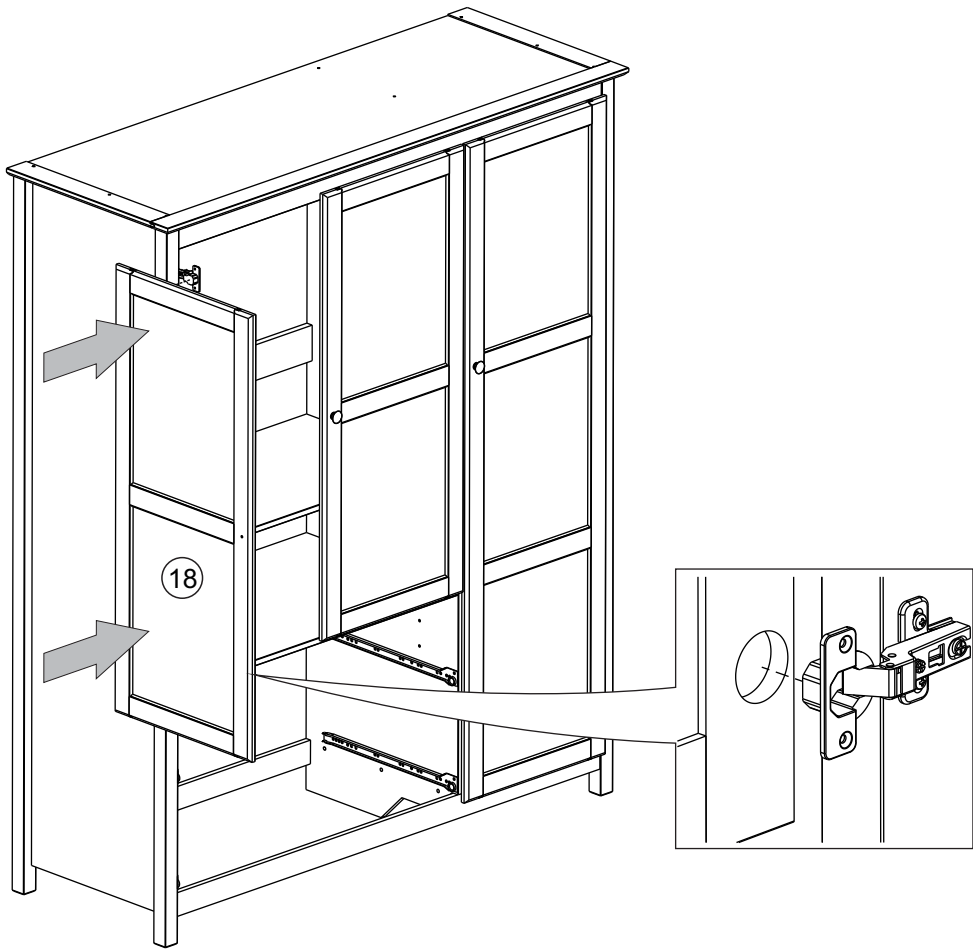


16)

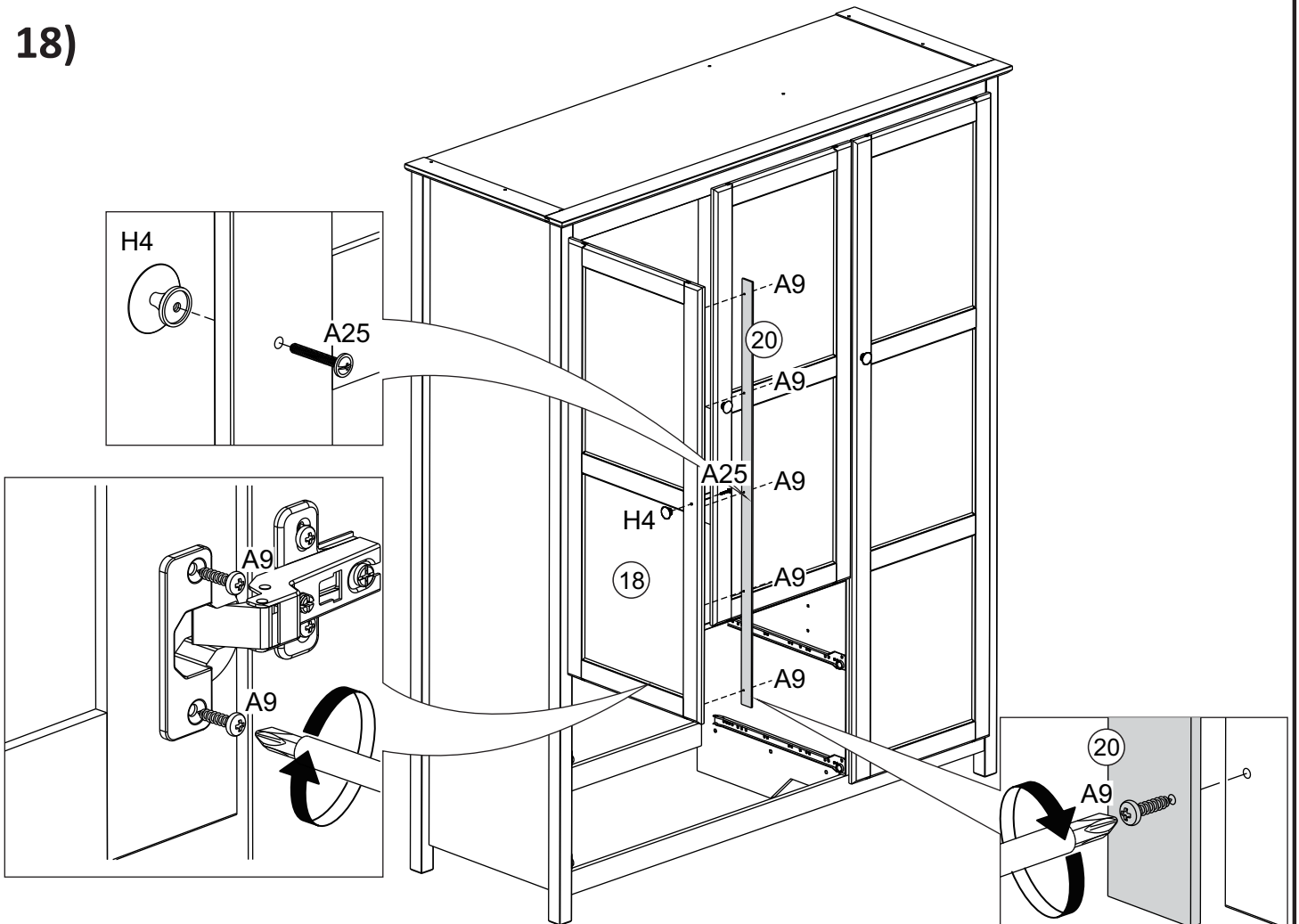


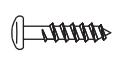


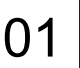
<p>A9</p>  <p>3,5x16</p>	<p>06</p>	<p>A25</p>  <p>M4x25</p>	<p>01</p>	<p>H4</p> 	<p>01</p>
---	-----------	---	-----------	---	-----------

17)

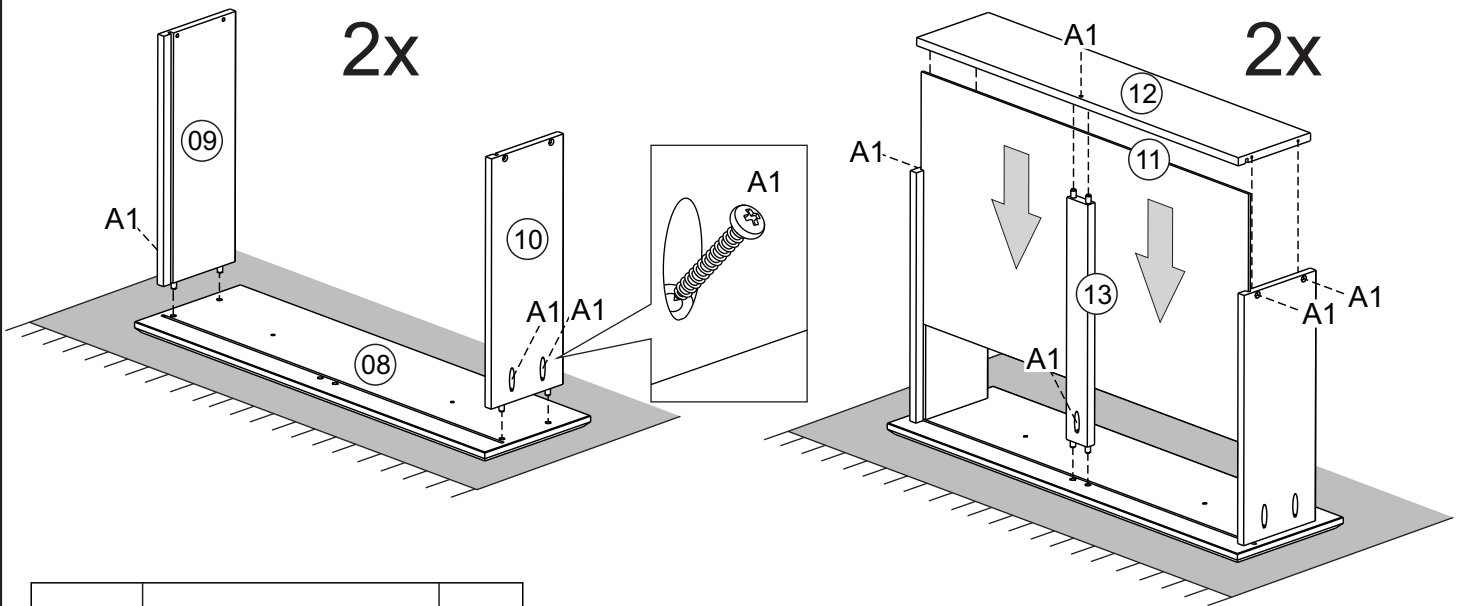



18)



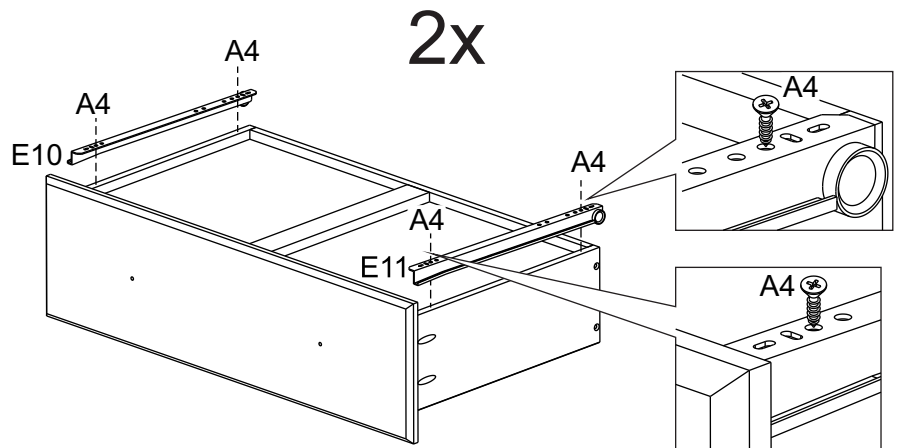
<p>A9</p>  <p>3,5x16</p>	<p>11</p>	<p>A25</p>  <p>M4x25</p>	<p>01</p>	<p>H4</p> 	<p>01</p>	<p>20</p> 
---	-----------	---	-----------	---	-----------	---


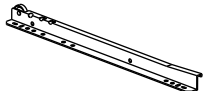
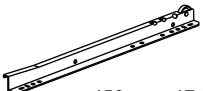
19)



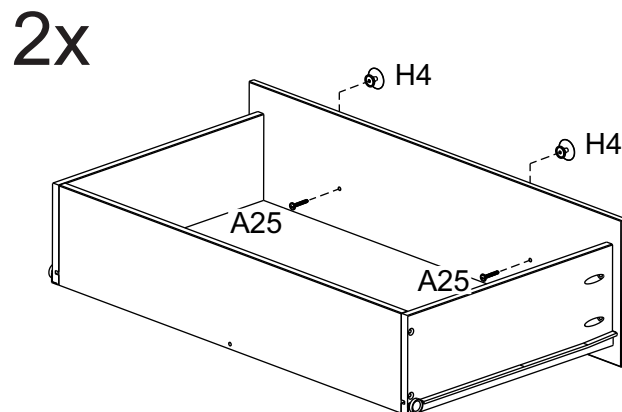
A1		20
	4,0x30	



20) FLIP THE ASSEMBLED DRAWER  
UPSIDE DOWN TO INSTALL GLIDES



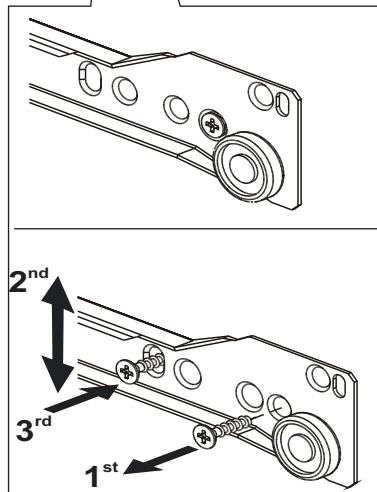
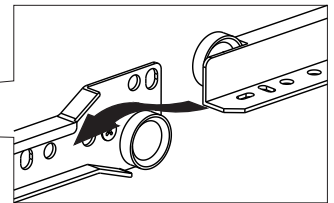
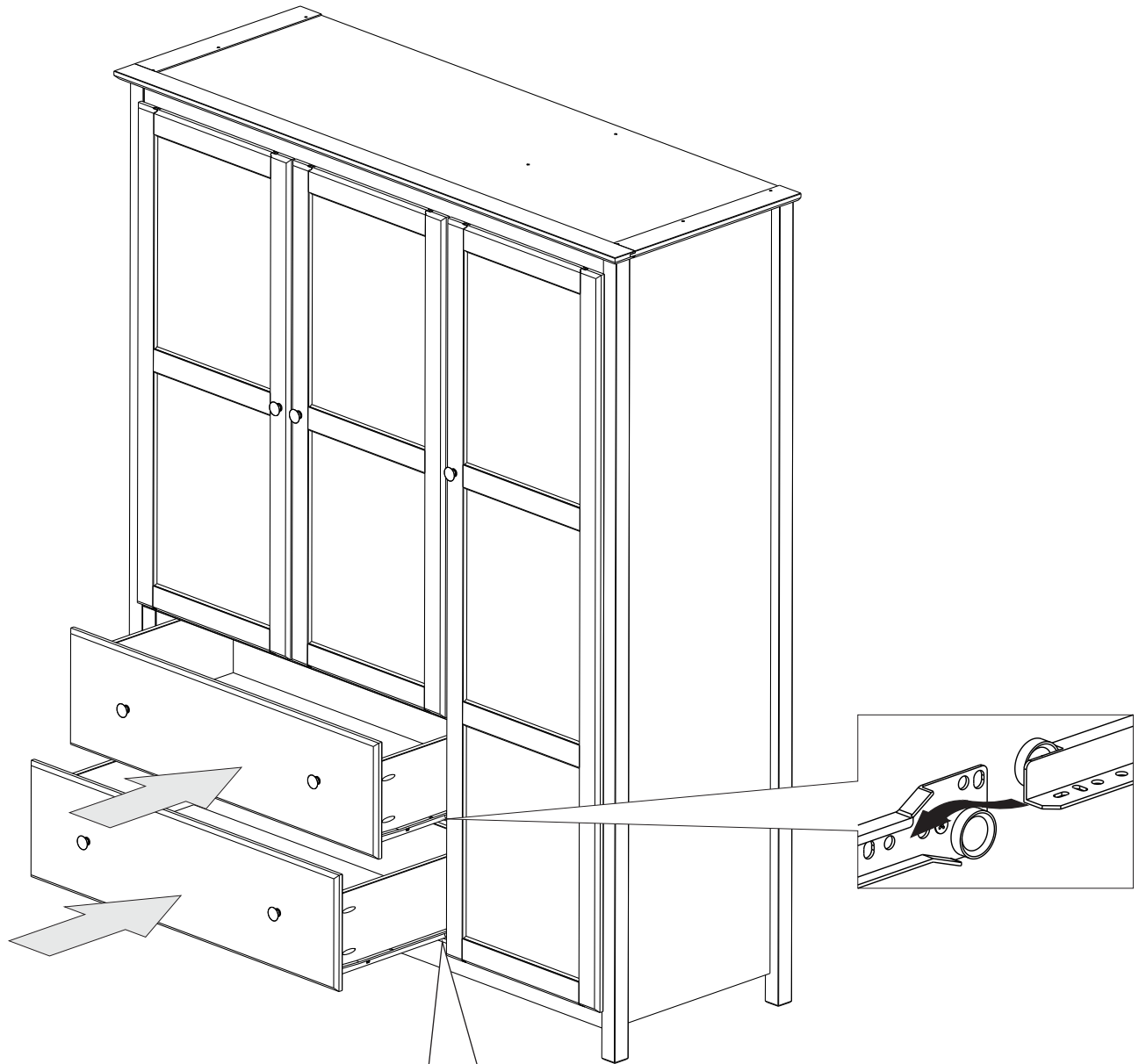
A4		08
	3,5x14	
E10		02
	450mm - 17 3/4"	
E11		02
	450mm - 17 3/4"	

21)



A25		04
	M4x25	
H4		04

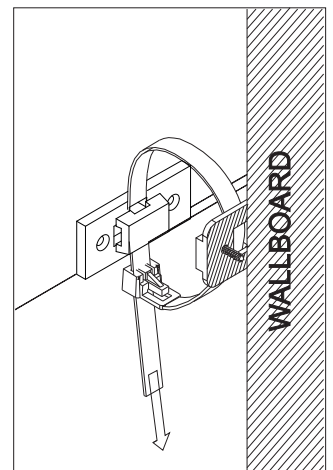
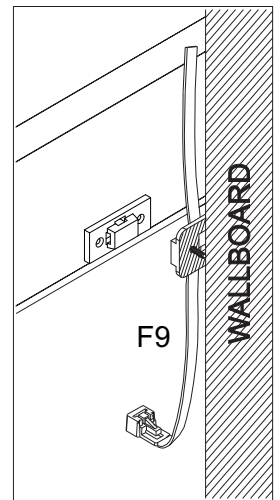
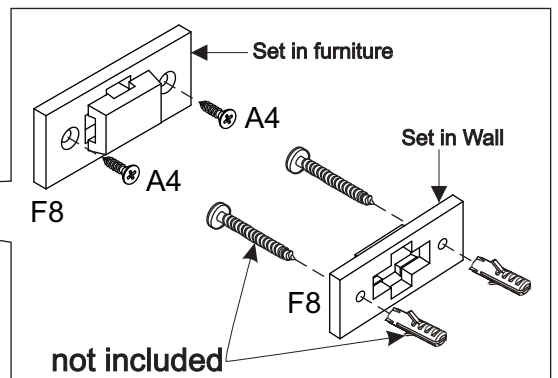
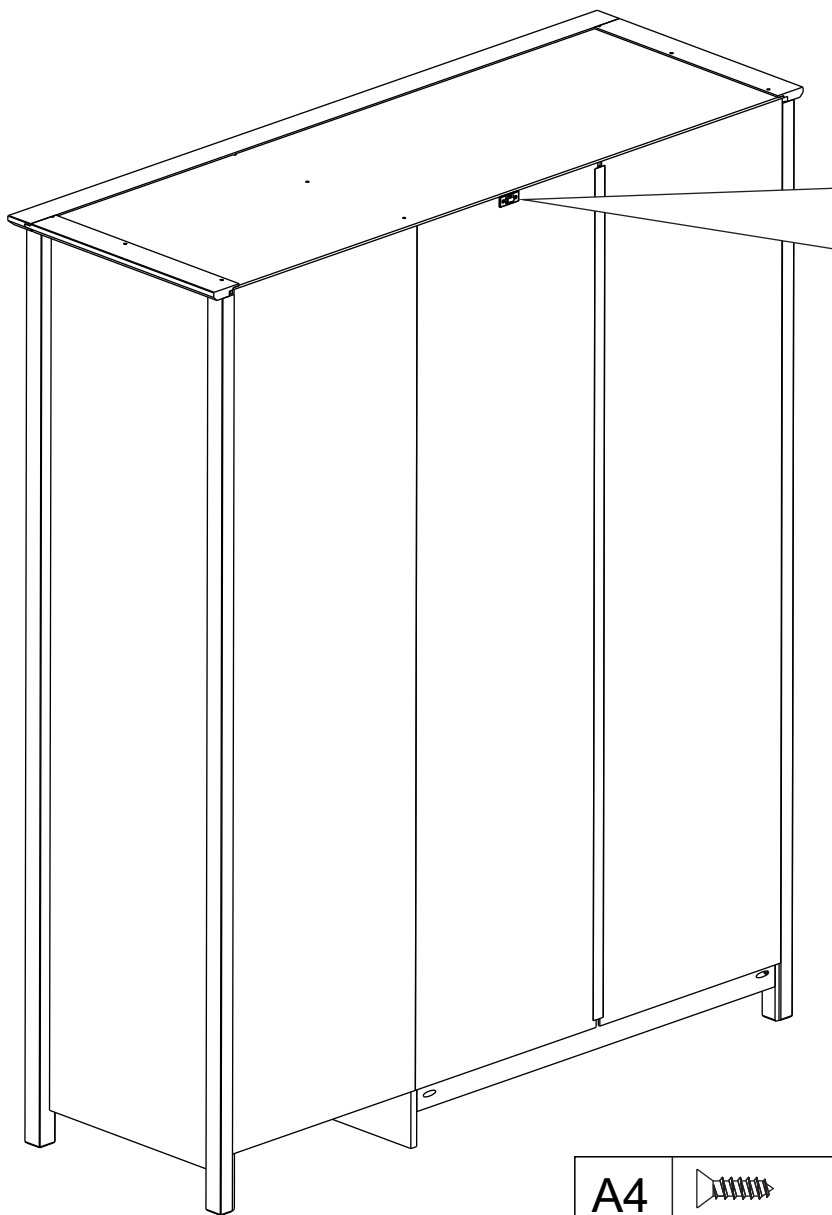
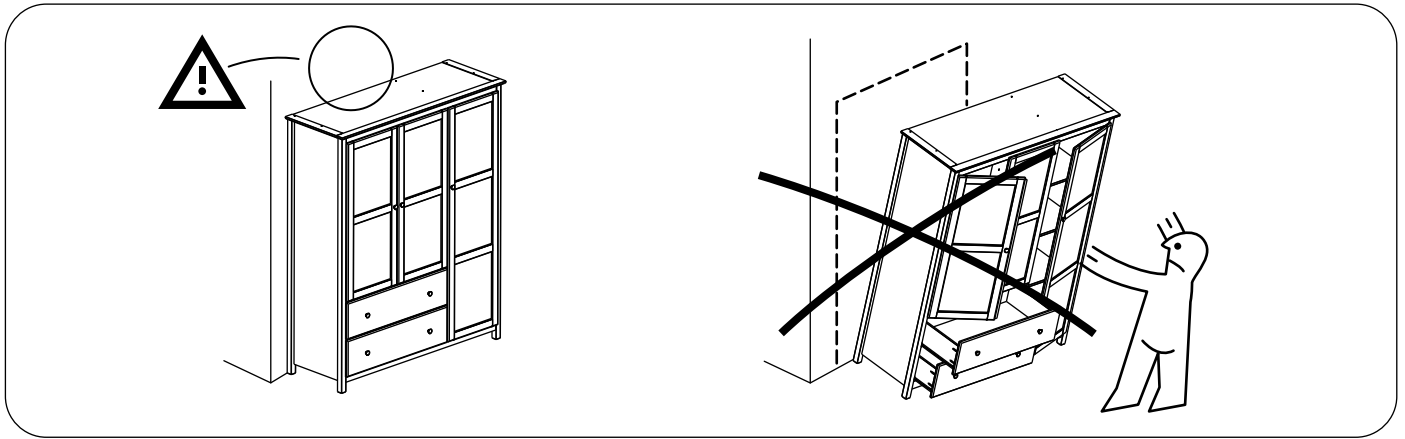
22)


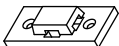



If fine tuning on the glides is needed please follow the steps below



23)



A4		3,5x14	02
F8			02
F9			01

