





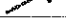



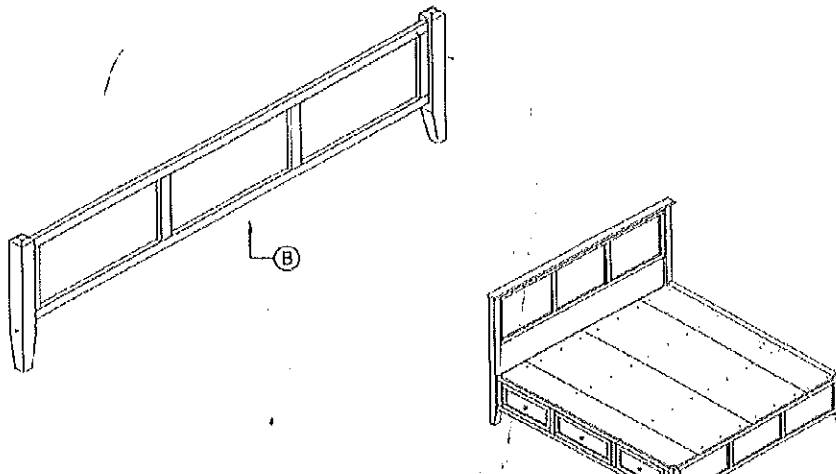
ASSEMBLY INSTRUCTION

QUEEN FOOTBOARD

Thank you for purchasing this quality product. Be sure to check all packing material carefully for small parts, which may have come loose inside the carton during shipment. Identify and count all parts and compare with the Hardware List as below:

HEADBOARD	No	Description	Qty		
	A	Queen Headboard	1		
FOOTBOARD	B	Queen Footboard	1		
QUEEN PLATFORM SYSTEM	C	Panel End	2		
	D	Panel Center	2		
LEFT UNDER BED STORAGE	E	Left Under Bed Storage	1		
RIGHT UNDER BED STORAGE W-SUPPORT	F	Right Under Bed Storage	1		
	G	Slats	8		
	H	Support Slats	3		
Hardware List	No	Picture	Description	Dimension	Qty
	1		Knock Down Bolt	M6 x 30 mm	28
	2		Washer	8 x 16 x 1 mm	28
	3		Lock Washer	6 x 11 x 2 mm	28
	4		Metal Plate Corner	20 x 50 x 50 mm	4
	5		Screw	#8 x 5/8"	16
	6		Screw	#8 x 3/4"	40
	7		Allen Key #4 mm	#4 x 70 mm	1
8		Phillips Head Screwdriver (Not Included)			

NOTE : Hardware Pack Include To RIGHT UNDER BED STORAGE W-SUPPORT

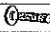



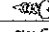

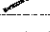
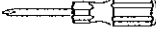


ASSEMBLY INSTRUCTION

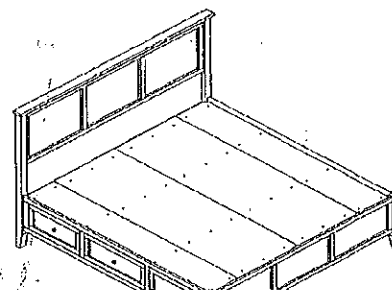
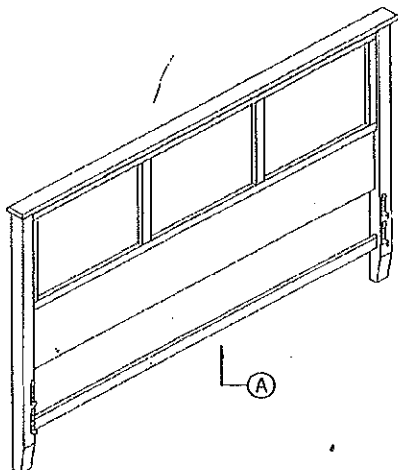
QUEEN HEADBOARD

Thank you for purchasing this quality product. Be sure to check all packing material carefully for small parts, which may have come loose inside the carton during shipment. Identify and count all parts and compare with the Hardware List as below:

HEADBOARD	No	Description	Qty
	A	Queen Headboard	1
FOOTBOARD	B	Queen Footboard	1
QUEEN PLATFORM SYSTEM	C	Panel End	2
	D	Panel Center	2
LEFT UNDER BED STORAGE	E	Left Under Bed Storage	1
RIGHT UNDER BED STORAGE W-SUPPORT	F	Right Under Bed Storage	1
	G	Slats	8
	H	Support Slats	3

Hardware List	No	Picture	Description	Dimension	Qty
	1		Knock Down Bolt	M6 x 30 mm	28
	2		Washer	8 x 16 x 1 mm	28
	3		Lock Washer	6 x 11 x 2 mm	28
	4		Metal Plate Corner	20 x 50 x 50 mm	4
	5		Screw	#8 x 5/8"	16
	6		Screw	#8 x 3/4"	40
	7		Allen Key #4 mm	#4 x 70 mm	1
	8		Phillips Head Screwdriver (Not Included)		


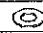



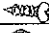
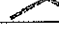
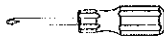
NOTE : Hardware Pack Include To RIGHT UNDER BED STORAGE W-SUPPORT



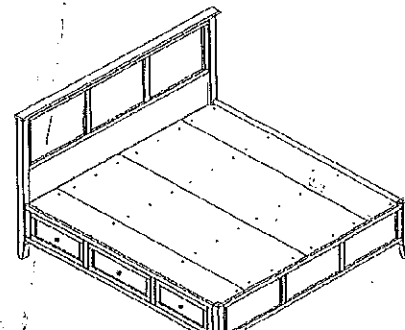
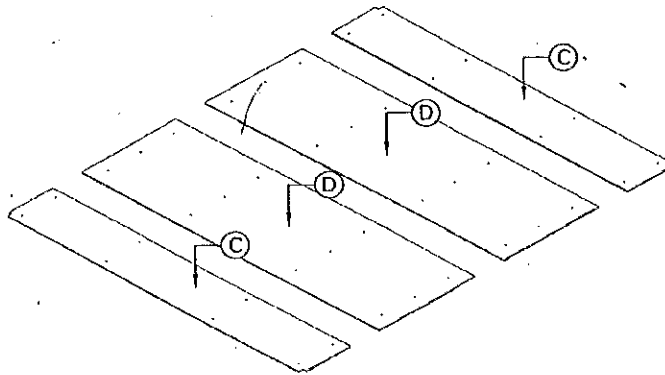
ASSEMBLY INSTRUCTION

QUEEN PLATFORM SYSTEM

Thank you for purchasing this quality product. Be sure to check all packing material carefully for small parts, which may have come loose inside the carton during shipment. Identify and count all parts and compare with the Hardware List as below:

HEADBOARD	No	Description	Qty		
	A	Queen Headboard	1		
FOOTBOARD	B	Queen Footboard	1		
QUEEN PLATFORM SYSTEM	C	Panel End	2		
	D	Panel Center	2		
LEFT UNDER BED STORAGE	E	Left Under Bed Storage	1		
RIGHT UNDER BED STORAGE W-SUPPORT	F	Right Under Bed Storage	1		
	G	Slats	8		
	H	Support Slats	3		
Hardware List	No	Picture	Description	Dimension	Qty
	1		Knock Down Bolt	M6 x 30 mm	28
	2		Washer	8 x 16 x 1 mm	28
	3		Lock Washer	6 x 11 x 2 mm	28
	4		Metal Plate Corner	20 x 50 x 50 mm	4
	5		Screw	#8 x 5/8"	16
	6		Screw	#8 x 3/4"	40
	7		Allen Key #4 mm	#4 x 70 mm	1
8		Phillips Head Screwdriver (Not Included)			

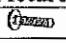

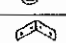
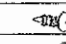
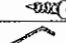
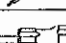


NOTE : Hardware Pack Include To RIGHT UNDER BED STORAGE W-SUPPORT !



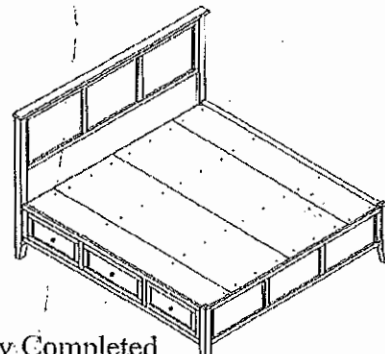
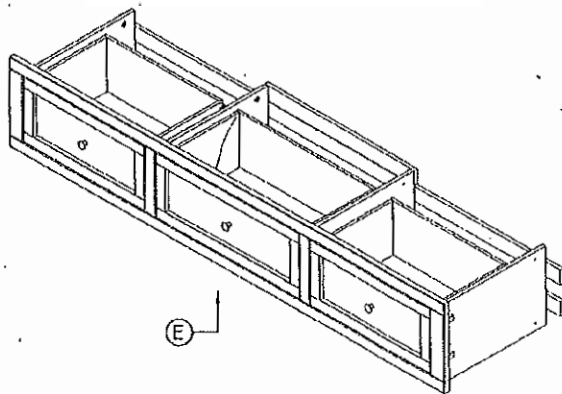
LEFT UNDER BED STORAGE

Thank you for purchasing this quality product. Be sure to check all packing material carefully for small parts, which may have come loose inside the carton during shipment. Identify and count all parts and compare with the Hardware List as below:

	No	Description	Qty
HEADBOARD	A	Queen Headboard	1
FOOTBOARD	B	Queen Footboard	1
QUEEN PLATFORM SYSTEM	C	Panel End	2
	D	Panel Center	2
LEFT UNDER BED STORAGE	E	Left Under Bed Storage	1
RIGHT UNDER BED STORAGE W-SUPPORT	F	Right Under Bed Storage	1
	G	Slats	8
	H	Support Slats	3

Hardware List	No	Picture	Description	Dimension	Qty
	1		Knock Down Bolt	M6 x 30 mm	28
	2		Washer	8 x 16 x 1 mm	28
	3		Lock Washer	6 x 11 x 2 mm	28
	4		Metal Plate Corner	20 x 50 x 50 mm	4
	5		Screw	#8 x 5/8"	16
	6		Screw	#8 x 3/4"	40
	7		Allen Key #4 mm	#4 x 70 mm	1
8		Phillips Head Screwdriver (Not Included)			

NOTE : Hardware Pack Include To RIGHT UNDER BED STORAGE W-SUPPORT





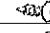


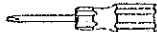


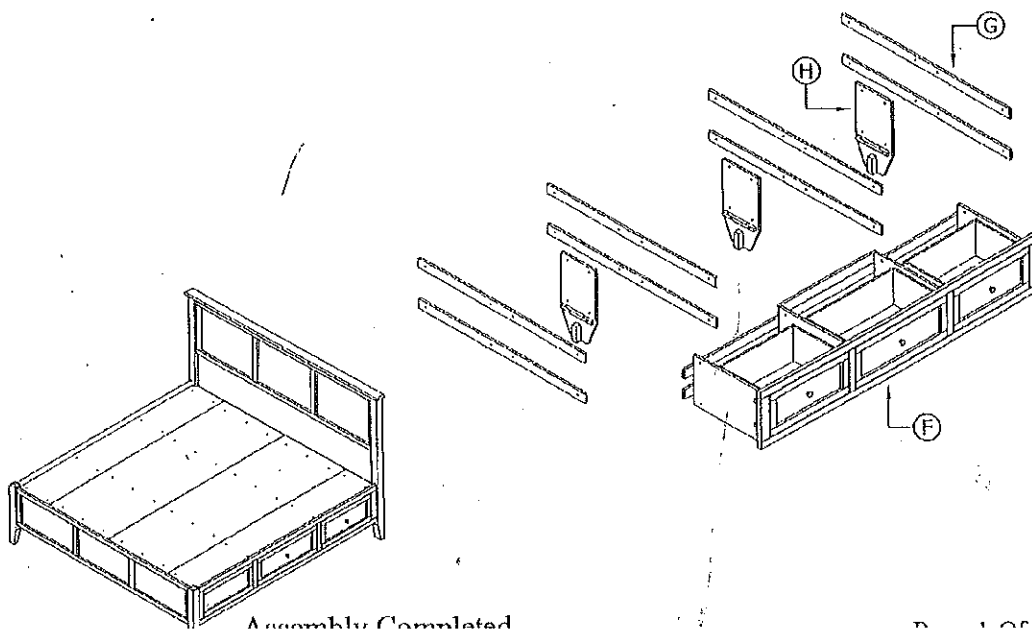
Assembly Completed

RIGHT UNDER BED STORAGE W-SUPPORT

Thank you for purchasing this quality product. Be sure to check all packing material carefully for small parts, which may have come loose inside the carton during shipment. Identify and count all parts and compare with the Hardware List as below:

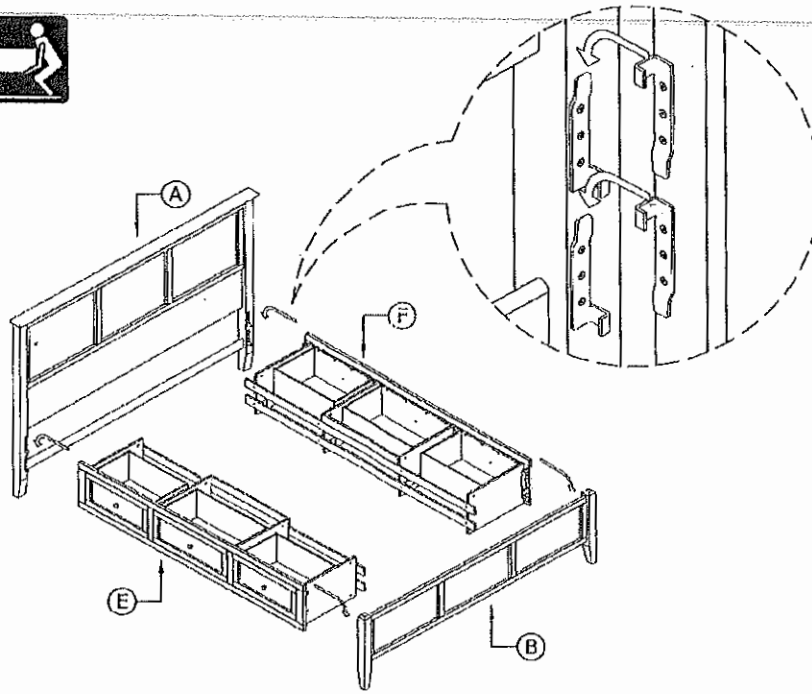
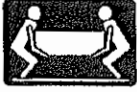
	No	Description	Qty
HEADBOARD	A	Queen Headboard	1
	B	Queen Footboard	1
QUEEN PLATFORM SYSTEM	C	Panel End	2
	D	Panel Center	2
LEFT UNDER BED STORAGE	E	Left Under Bed Storage	1
RIGHT UNDER BED STORAGE W-SUPPORT	F	Right Under Bed Storage	1
	G	Slats	8
	H	Support Slats	3

Hardware List	No	Picture	Description	Dimension	Qty
	1		Knock Down Bolt	M6 x 30 mm	28
	2		Washer	8 x 16 x 1 mm	28
	3		Lock Washer	6 x 11 x 2 mm	28
	4		Metal Plate Corner	20 x 50 x 50 mm	4
	5		Screw	#8 x 5/8"	16
	6		Screw	#8 x 3/4"	40
	7		Allen Key #4 mm	#4 x 70 mm	1
	8		Phillips Head Screwdriver (Not Included)		

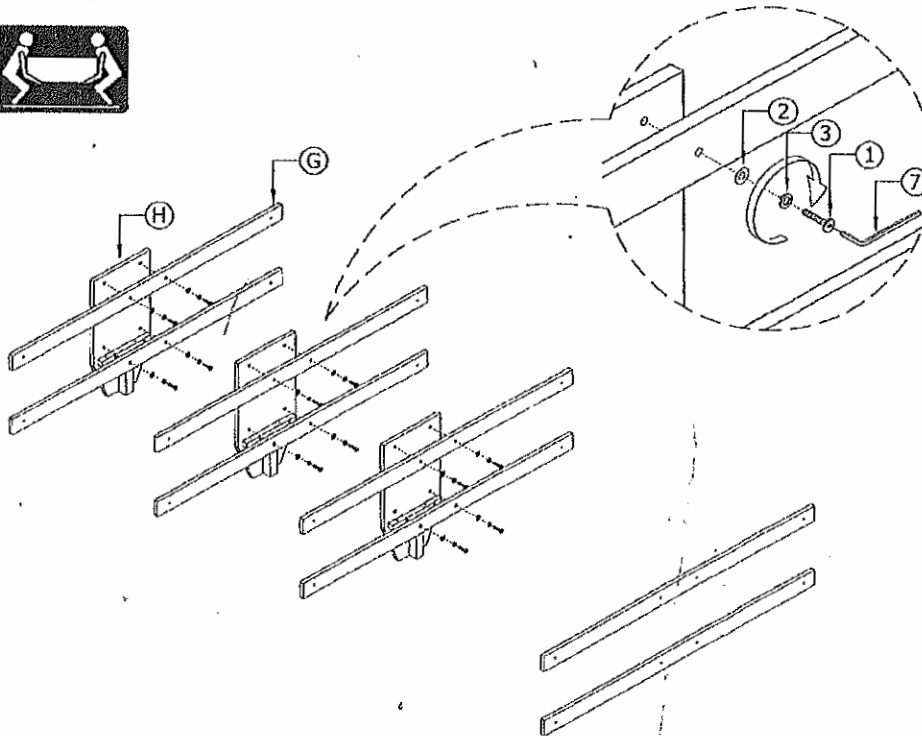


Assembly Completed

STEP 1

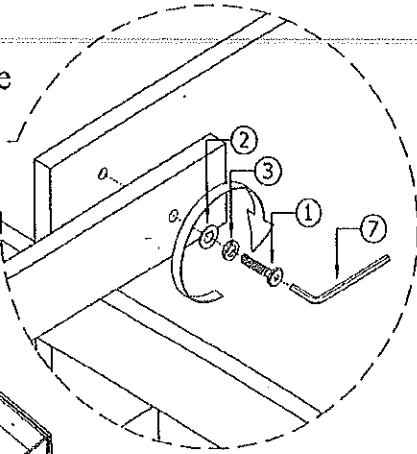
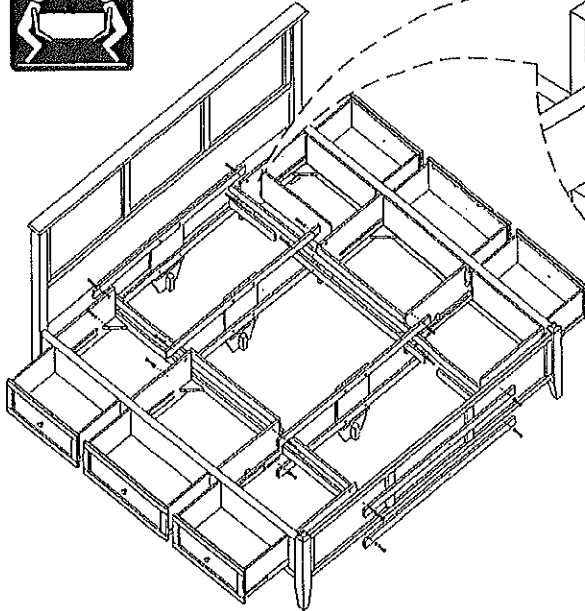
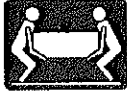


STEP 2

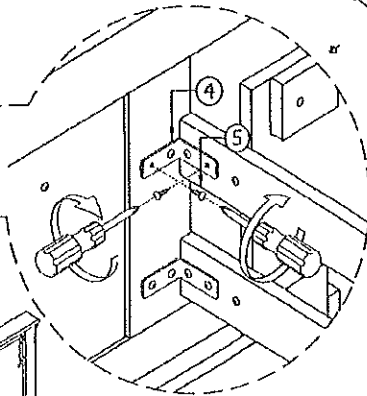
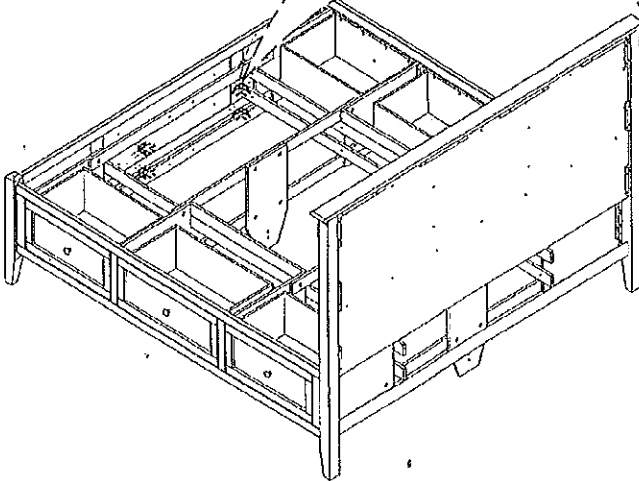
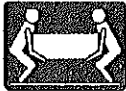


STEP 3

pull the drawer before put the hardware

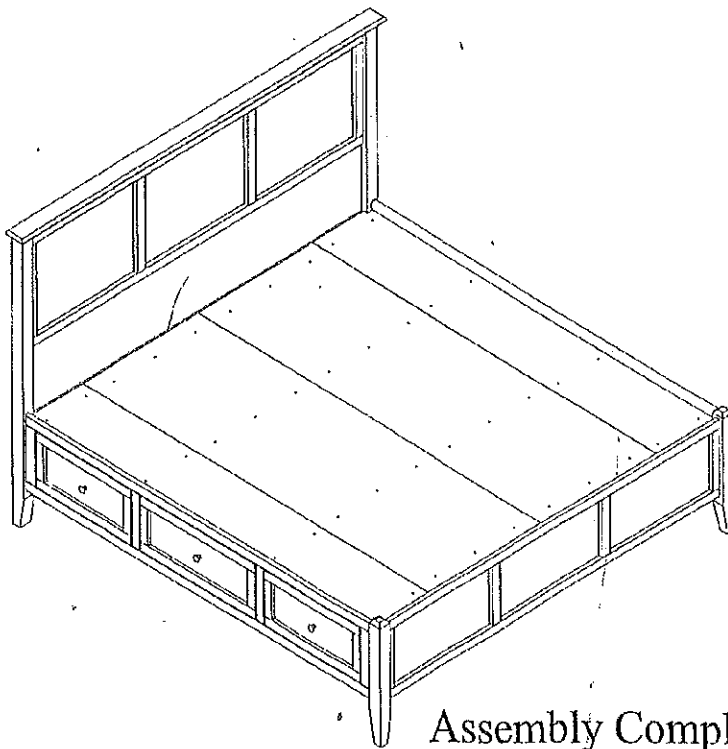
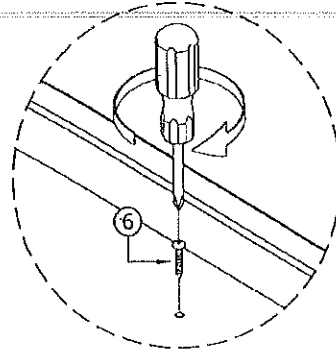
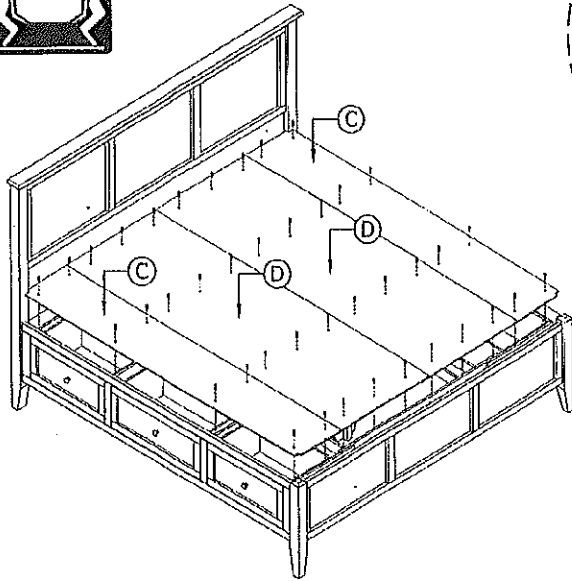
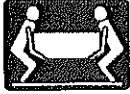


STEP 4



ASSEMBLY STEP

STEP 5



Assembly Completed