

## Assembly instruction

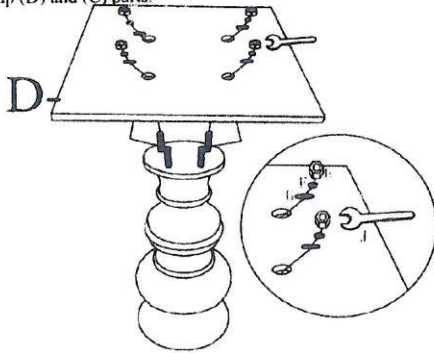
### Parts list

A	TOP	1PC
B	BASE	1PC
C	SPINDLE	1PC
D	CONNECTION PANEL	1PC
E	NUT	8PCS

F	SPRING WASHER	12PCS
G	FLAT WASHER	12PCS
H	BOLT	4PCS
I	ALLEN WRENCH	1PC
J	OPEN WRENCH	1PC

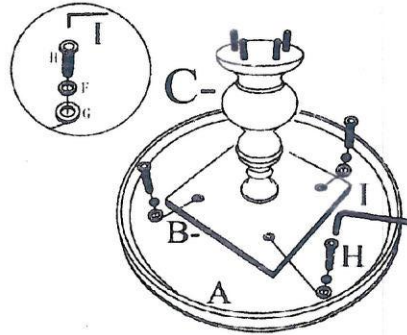
### 1 STEP: 1

1) Put the (C) upside down on a flat and soft surface, and use (J) tighten (E/F/G) set up (D) and (C) parts.



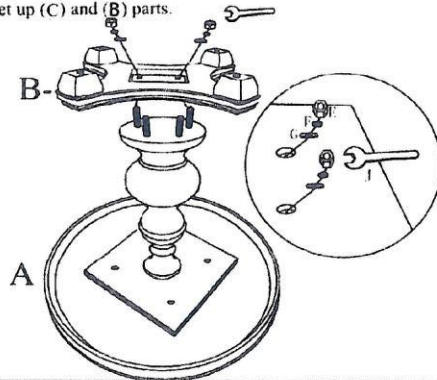
### 2 STEP: 2

2) Turn the (A) on floor and use (I) tighten (H/F/G) SET UP (B) and (C) parts.



### 3 STEP: 3

3) The table top upside down in a clean soft surface and use (J) tighten (E/F/G) set up (C) and (B) parts.



### 4 STEP: 4

4) Turn over the table and the assembly is complete. To clean, wipe with soft dry cloth.

