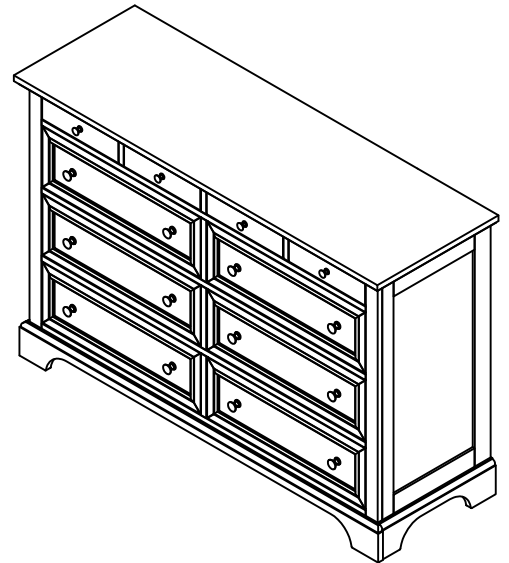


Dresser

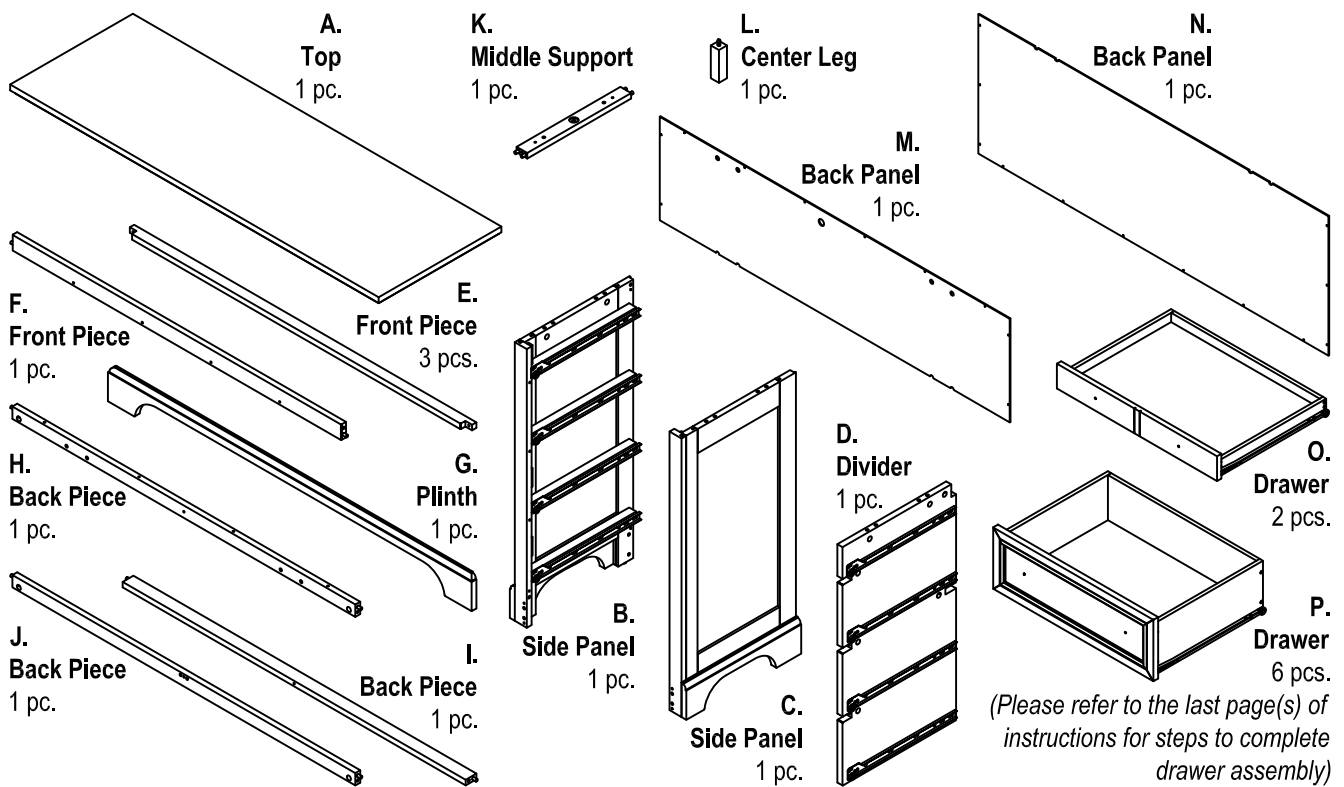


IMPORTANT NOTE

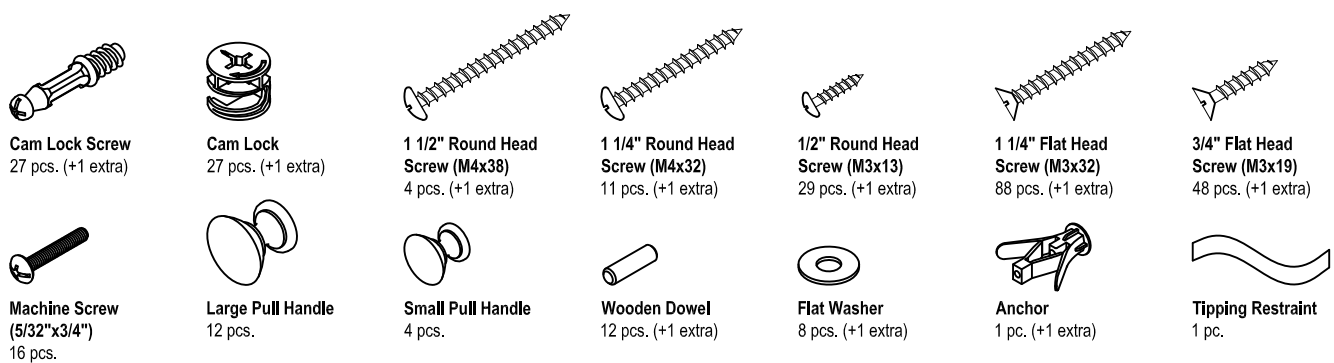
Carefully remove all the parts from the carton and put them individually on a soft cloth to prevent scratches or other damages occurring to the wood parts.

We have taken great care in the design of this product and request that you carefully and strictly follow our assembly instructions to ensure a completed product as it was designed.

Part List



Hardware List



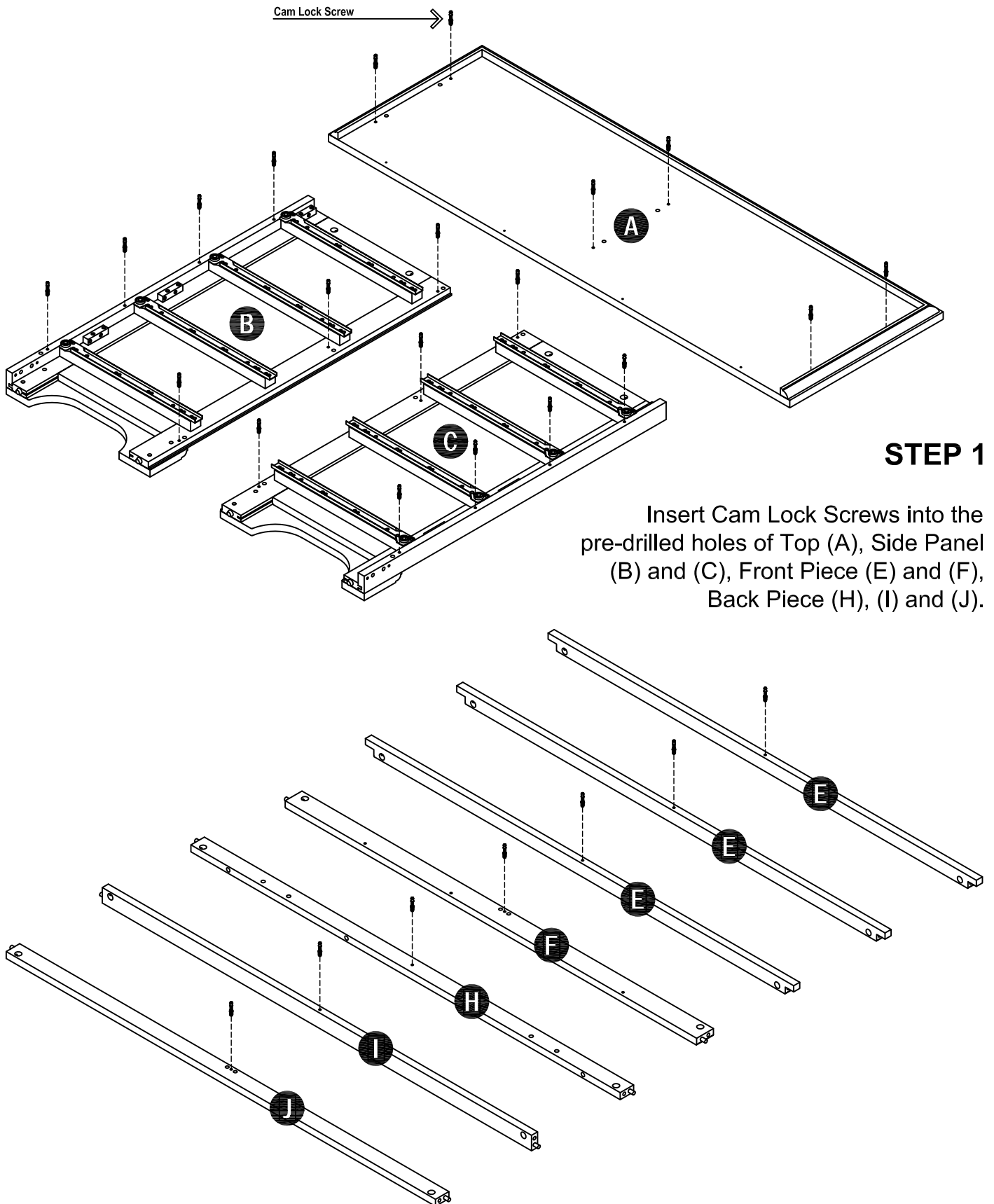
Tools Required For Assembly : Phillips screwdriver

Tools Recommended For Assembly : Level

Assembly Instructions 2/9

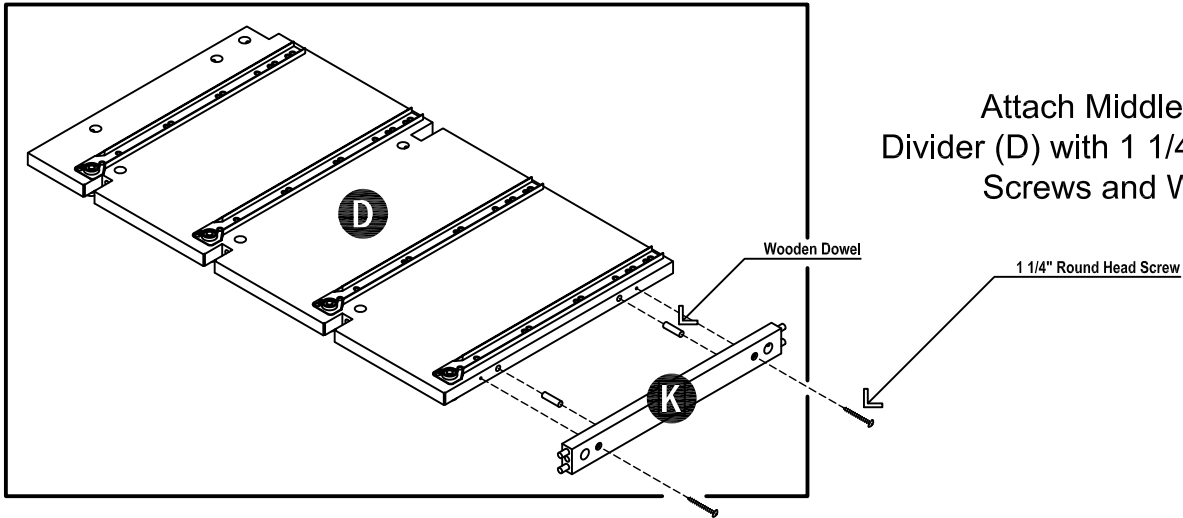
IMPORTANT

- * Do not tighten up all the screws until each part is properly assembled.
- * Use a soft cloth between these parts and the floor.
- * After assembly, item must be level to work properly. Use the included adjustable levellers to level.



STEP 2

Attach Middle Support (K) to Divider (D) with 1 1/4" Round Head Screws and Wooden Dowel.



STEP 3

Attach Front Piece (E) and (F), Back Piece (H), (I) and (J) to unit with Cam Locks.
(See Figure 1)

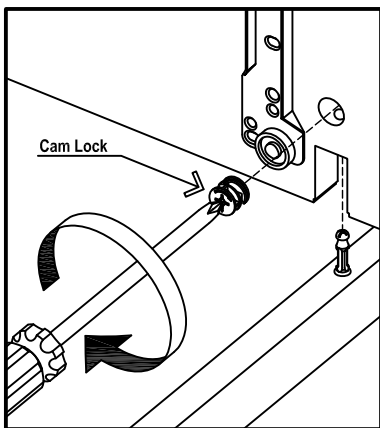
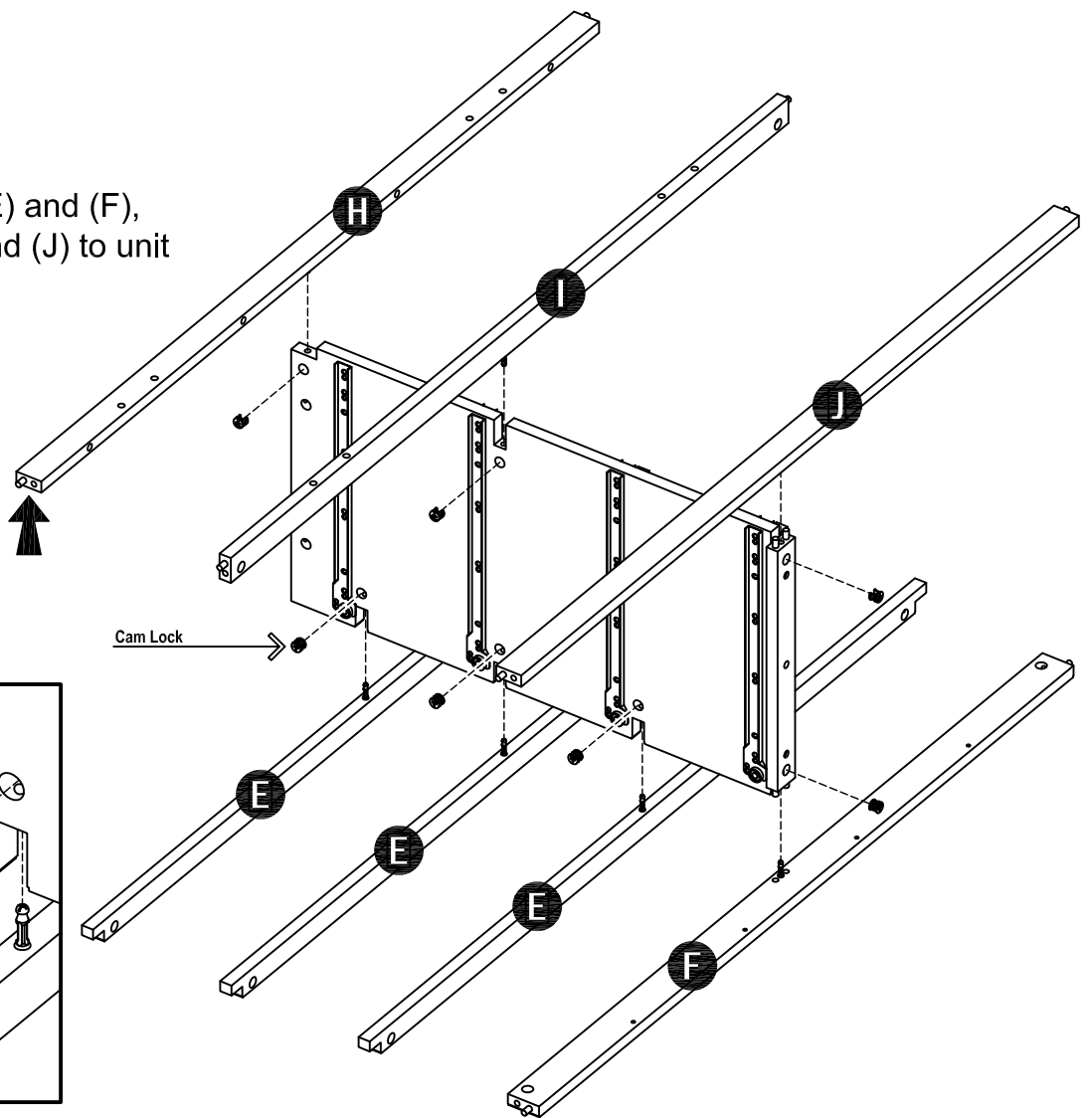
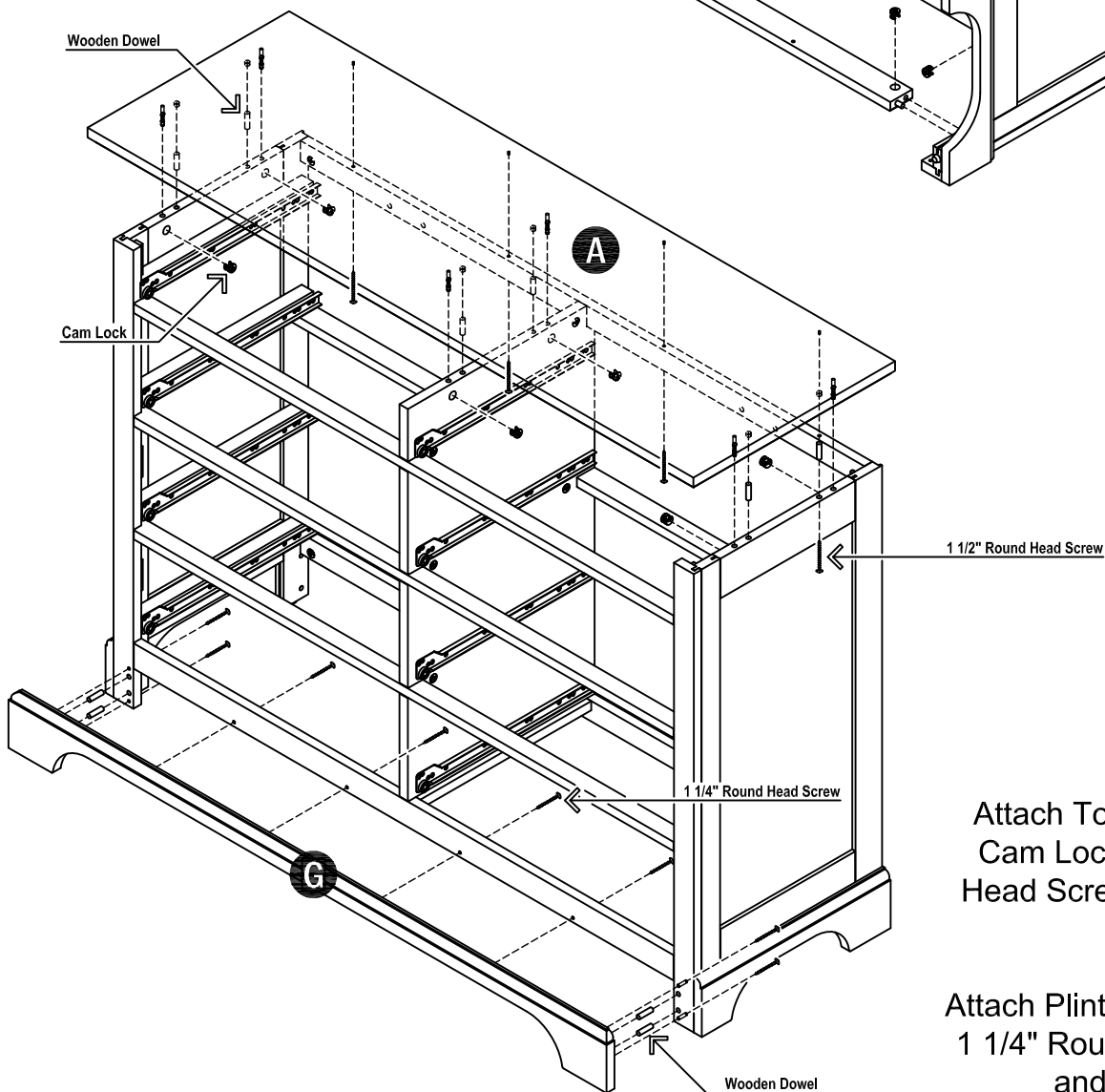
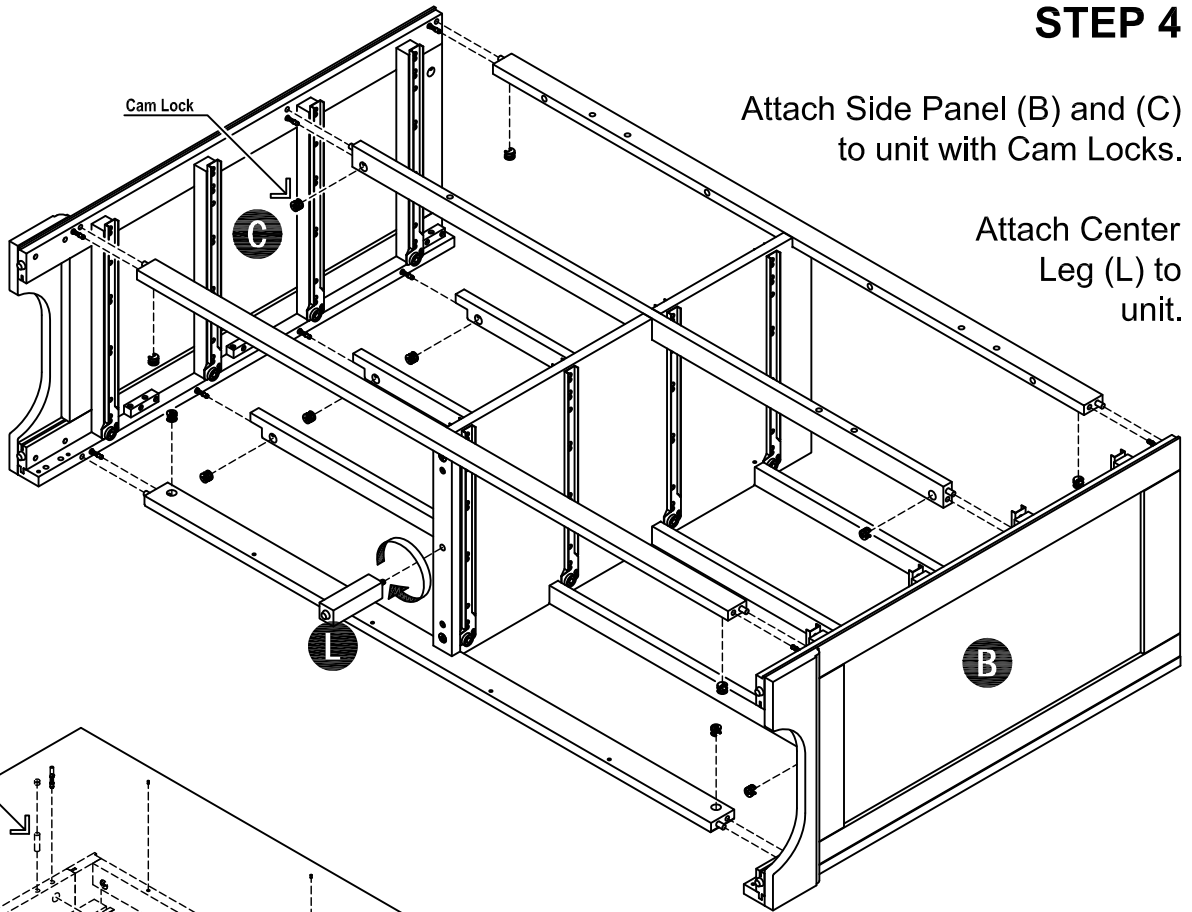


Figure 1

STEP 4

Attach Side Panel (B) and (C) to unit with Cam Locks.

Attach Center Leg (L) to unit.



STEP 5

Attach Top (A) to unit with Cam Locks, 1 1/2" Round Head Screws and Wooden Dowel.

Attach Plinth (G) to unit with 1 1/4" Round Head Screws and Wooden Dowel.

STEP 6

To level the unit, adjust the adjustable levelers on the bottom of the legs.

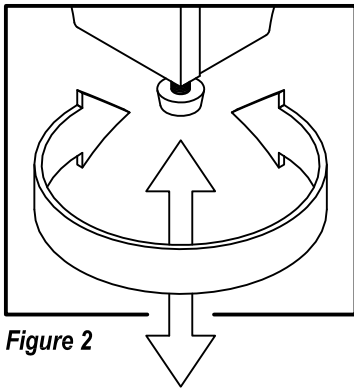
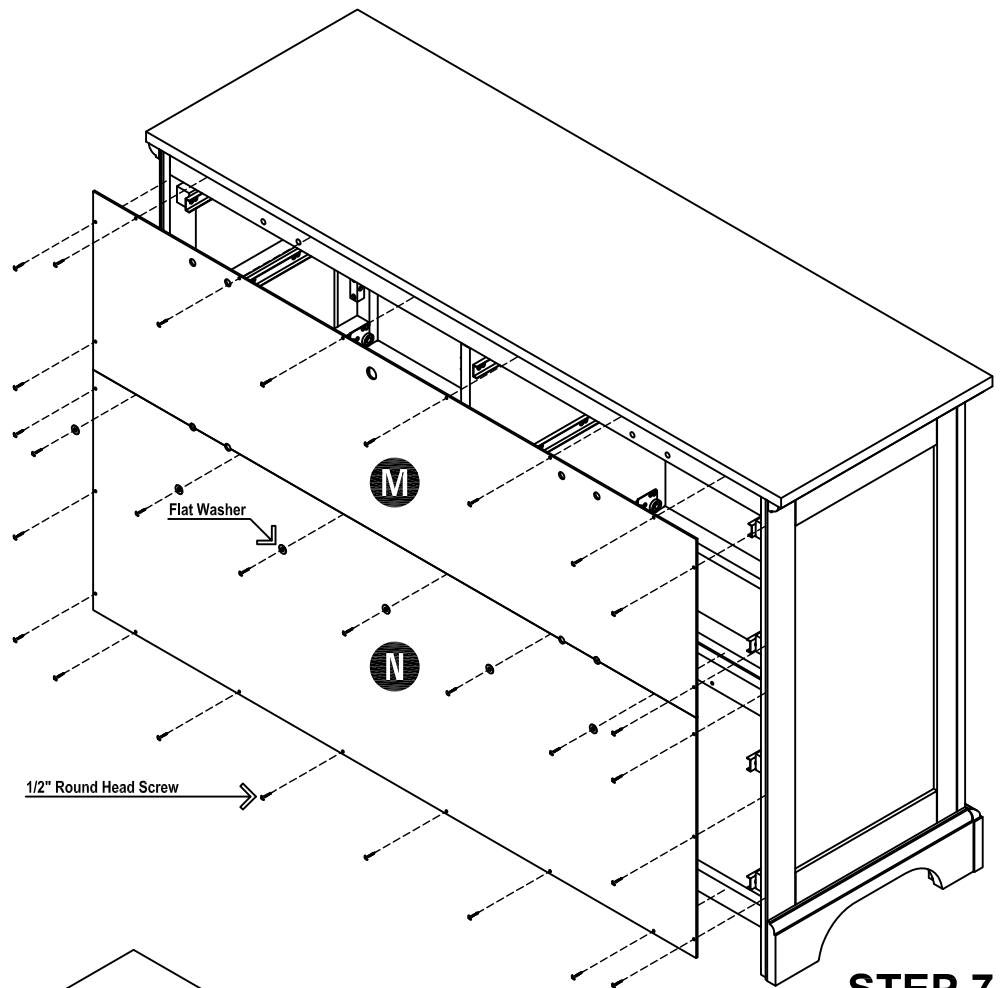


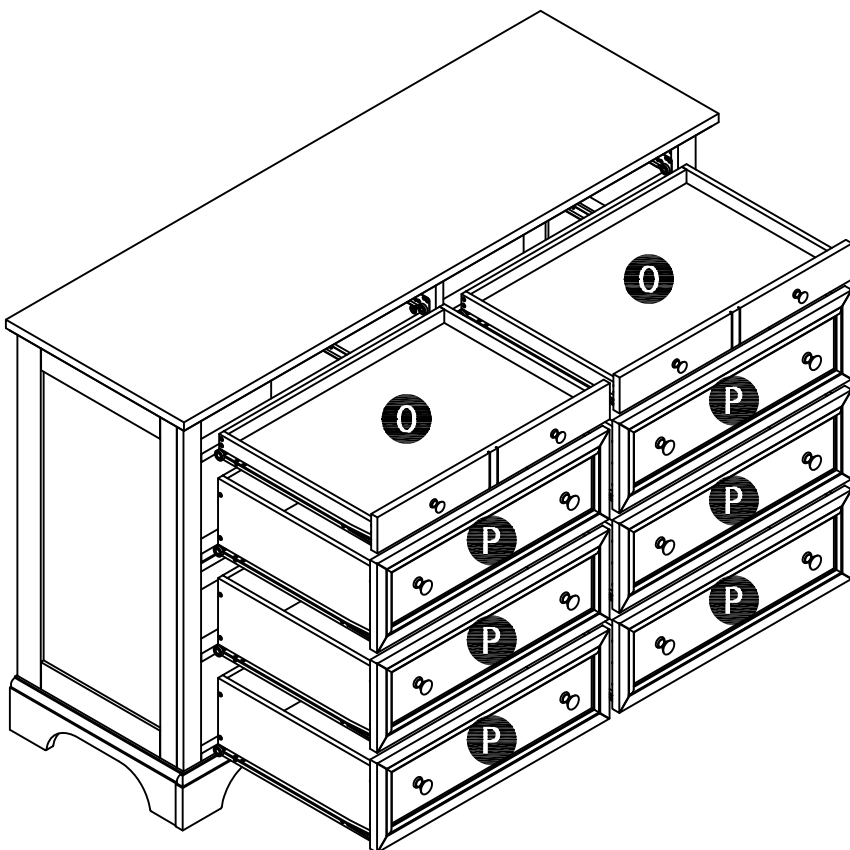
Figure 2

Note: Unit must be level to work properly.
(See Figure 2)



STEP 7

Attach Back Panel (M) and (N) to unit using 1/2" Round Head Screws and Flat Washers.



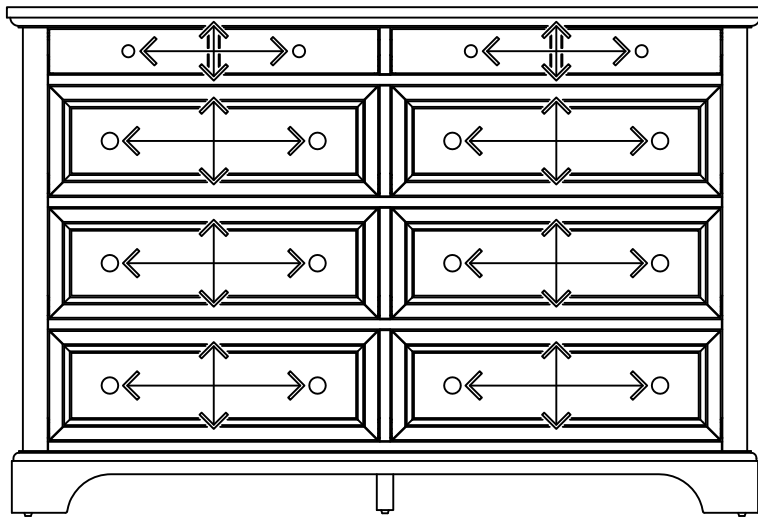
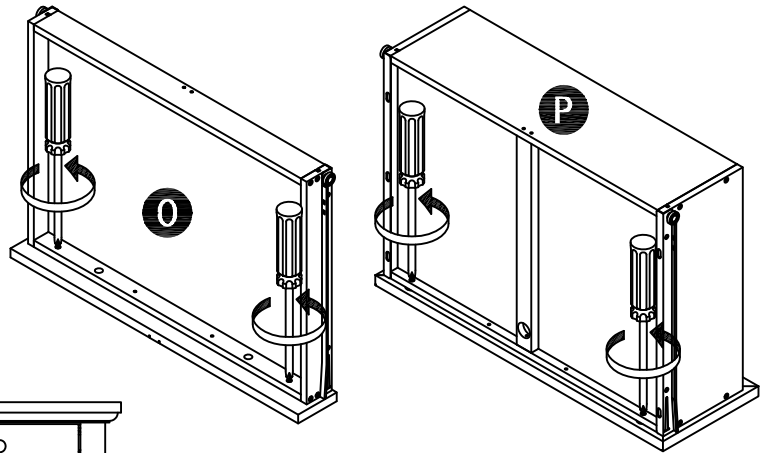
STEP 8

Slide Drawers (O) and (P) into place.

Note: Follow the steps on the next page to use 3/4" Flat Head Screws to complete drawer assembly.

STEP 9

Loosen slightly the two screws pre-installed on the back of the drawer fronts.

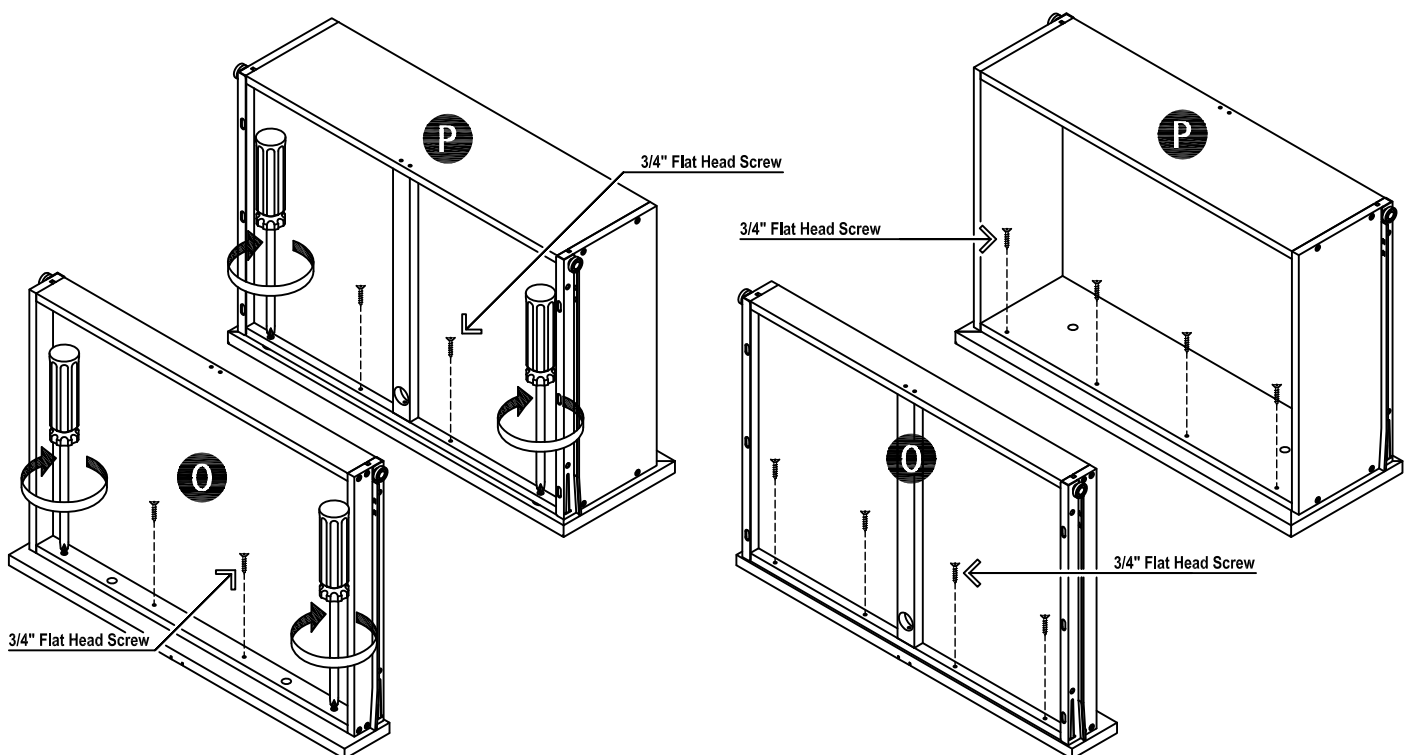


STEP 10

Insert the drawers into the main body, then adjust the drawer front panels left or right and up or down until the drawer gaps look proportional.

STEP 11

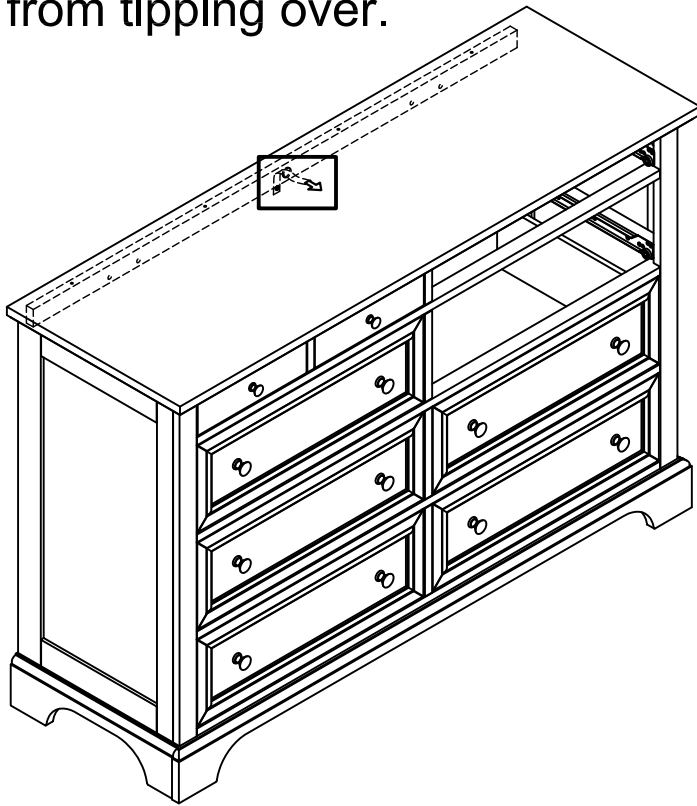
Pull the drawers open slowly and re-tighten the screws from Step 9. Make sure the front panels do not move and lock the drawer front panels into position with 3/4" Flat Head Screws.



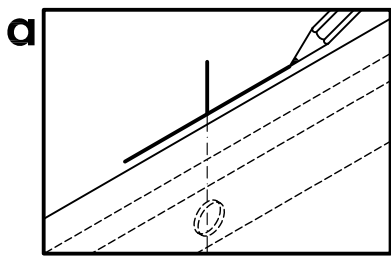
Note: These 3/4" Flat Head Screws on this page must be installed to complete the drawer assembly.

ATTENTION!

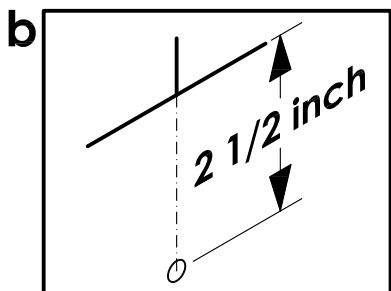
For safety reasons, please follow these instruction to prevent the unit from tipping over.



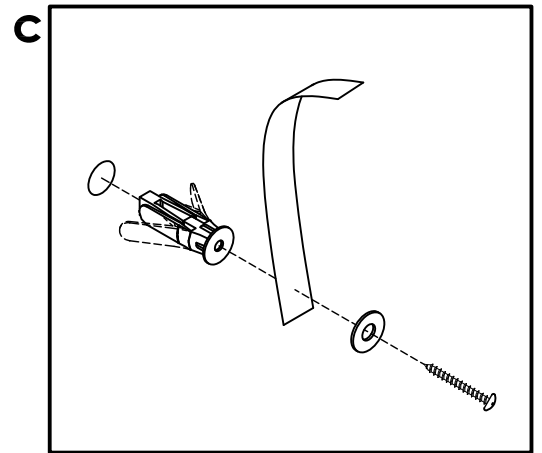
Remove Drawers (O) and (P) from unit.



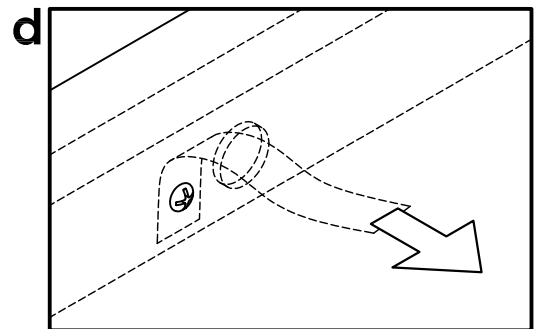
Place the unit on the wall at desired location. Mark with pencil to show the position of the hole.



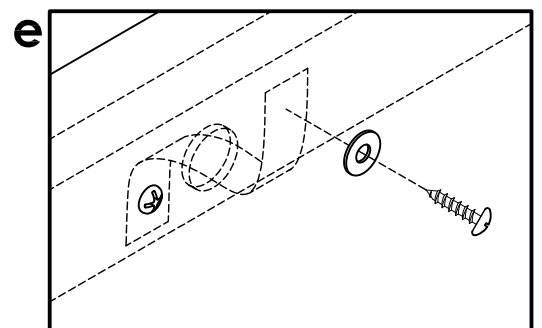
Move unit. Drill a 1/2" hole in the wall, 2 1/2 inches down and directly below the mark.



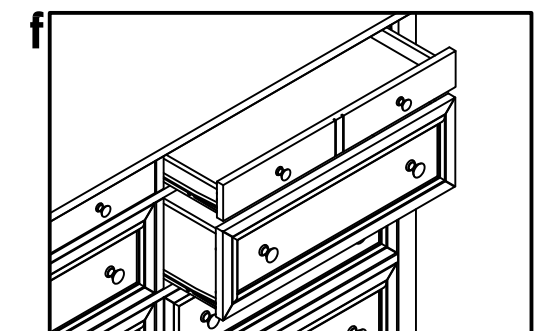
Attach Tipping Restraint to the wall using 1 1/4" Round Head Screw, Flat Washer and Anchor.



Insert Tipping Restraint to unit through the groove of Back Piece (G).

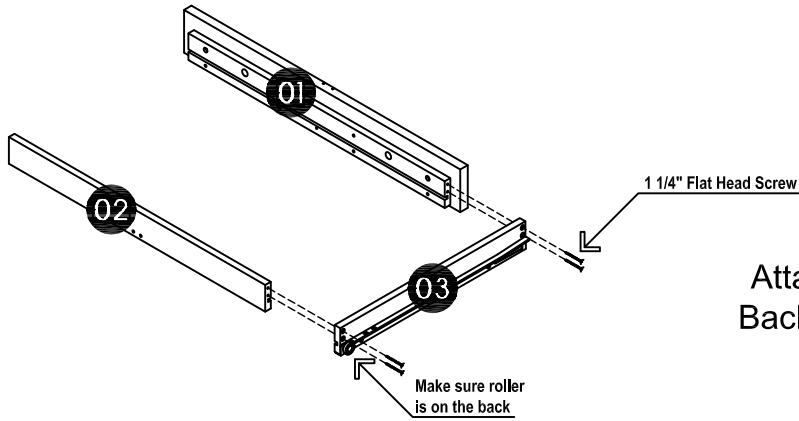
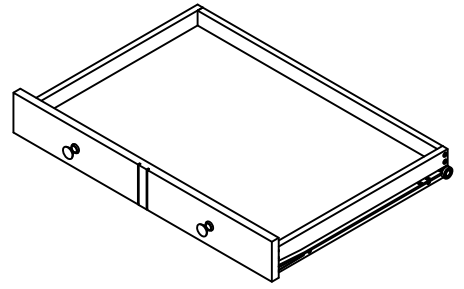


Screw Tipping Restraint to unit using 1/2" Round Head Screw and Flat Washer.



Insert drawers (O, P) into unit.

Drawer (O)



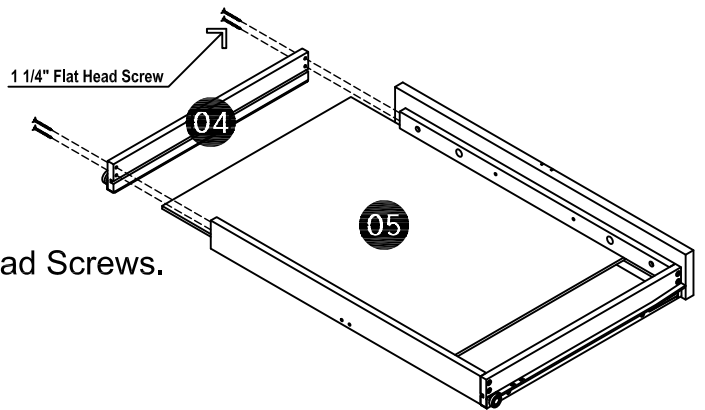
STEP 1

Attach Side Part (O3) to Front Part (O1) and Back Part (O2) with 1 1/4" Flat Head Screws.

STEP 2

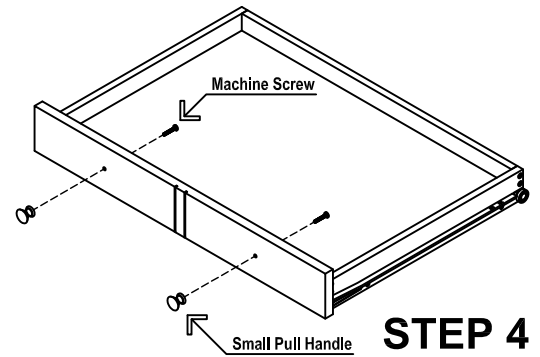
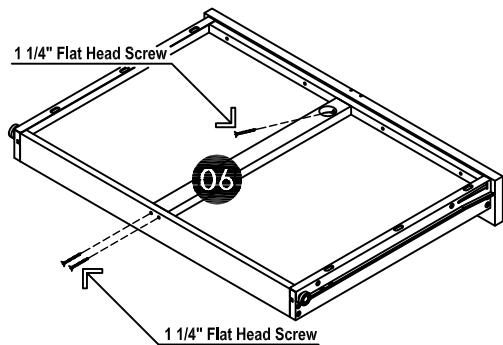
Insert Base Part (O5) into the groove.

Attach Side Part (O4) to unit with 1 1/4" Flat Head Screws.



STEP 3

Attach Base Part (O6) to unit with 1 1/4" Flat Head Screws.

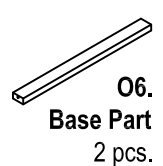
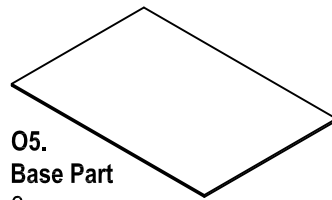
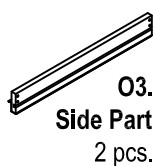
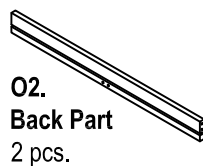
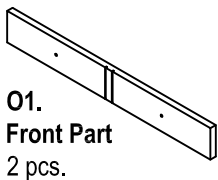


STEP 4

Attach Small Pull Handles with Machine Screws.

Note: Drawer assembly is not complete until 3/4" Flat Head Screws are used in a later step.

Part List



01.
Front Part
2 pcs.

02.
Back Part
2 pcs.

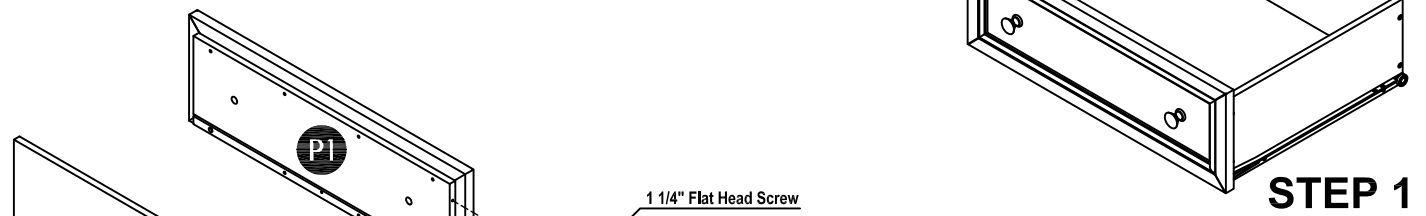
03.
Side Part
2 pcs.

04.
Side Part
2 pcs.

05.
Base Part
2 pcs.

06.
Base Part
2 pcs.

Drawer (P)



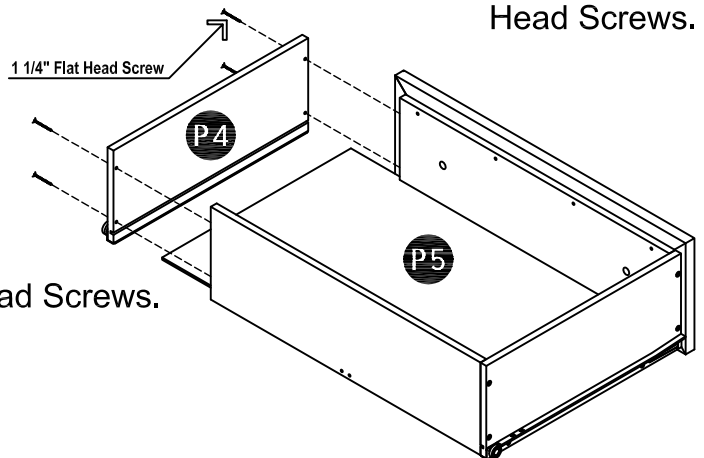
STEP 1

Attach Side Part (P3) to Front Part (P1) and Back Part (P2) with 1 1/4" Flat Head Screws.

STEP 2

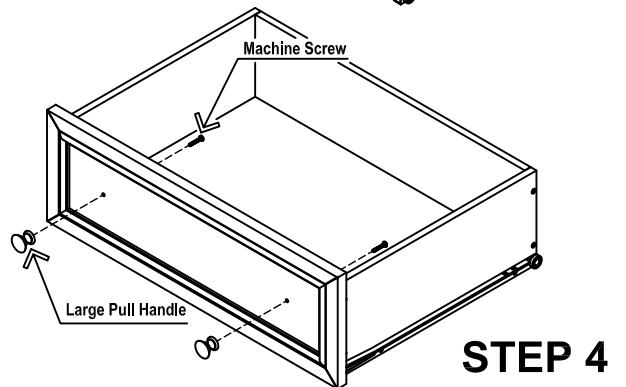
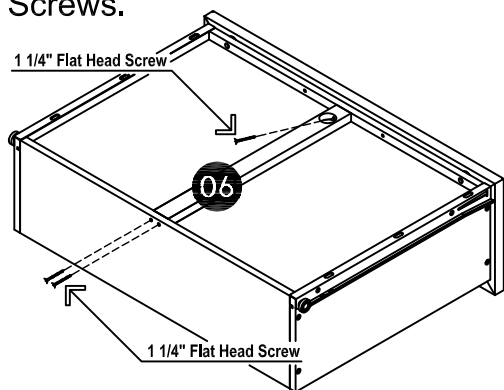
Insert Base Part (P5) into the groove.

Attach Side Part (P4) to unit with 1 1/4" Flat Head Screws.



STEP 3

Attach Base Part (O6) to unit with 1 1/4" Flat Head Screws.

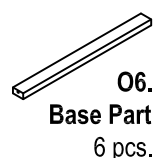
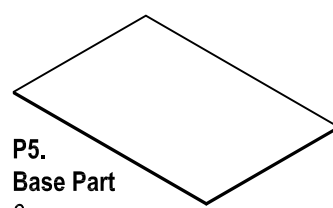
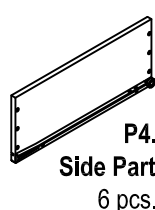
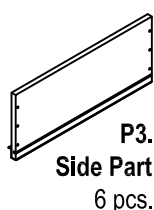
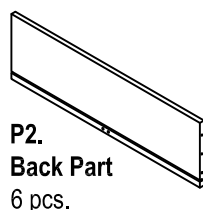
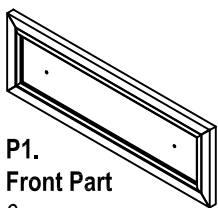


STEP 4

Attach Large Pull Handles with Machine Screws.

Note: Drawer assembly is not complete until 3/4" Flat Head Screws are used in a later step.

Part List



VERY IMPORTANT !!

CARE INSTRUCTIONS

NEVER

USE GLASS CLEANERS ON FINISHED FURNITURE. AMMONIA WILL CHEMICALLY ATTACK THE FINISH.

NEVER

ALLOW LIQUIDS OF ANY KIND TO REMAIN ON THE FURNITURE. ABSORPTION CAUSES PART TO WARP AND SPLIT AND FINISHES TO DELAMINATE.

DO NOT WRITE DIRECTLY ON SURFACE.



PREVENT MARKING

DO NOT PLACE IN DIRECT SUNLIGHT.



PREVENT FADING

DO NOT USE COMMERCIAL WAXES AND POLISHES.



PREVENT YELLOWING

DO NOT PLACE HOT OBJECTS ON SURFACE.



PREVENT FINISH DAMAGE

DO NOT USE RUBBER BASED PLACE MATS.



PREVENT DISCOLORING

TO CLEAN

USE A SOFT CLOTH MOISTENED IN LUKEWARM SOAP AND WATER, THEN BUFF WITH A DRY CLEAN CLOTH.



We will provide replacements free of charge for missing or damaged hardware or parts within 30 days of purchase. Digital images of the defective parts may be required. If this product was not purchased from an authorized retail affiliate, we are under no obligation to provide replacement parts. Parts are not available for fully assembled items nor are parts available for sale.