

ASSEMBLY INSTRUCTIONS

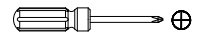
Coffee Table

ASSEMBLY
REQUIREMENTS

2-Person
Assembly

20 Minutes
Assembly Time
(Approximate)

Tools Required
(Not Provided)

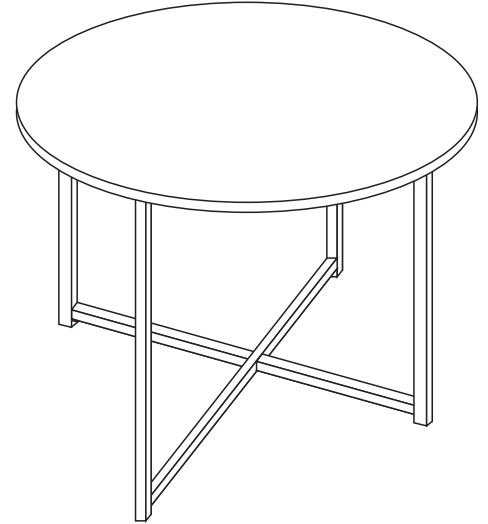


Phillips Screwdriver

Thank you for purchasing our product!

Please refer and use this assembly instruction to assemble the product. Contact our customer service department in case there are any missing or damage parts or hardware.

We appreciate your business!



ASSEMBLY PREPARATION

Remove all packaging materials, staples and packing straps from the carton.

Refer to Parts List and Hardware List, and ensure all parts and hardware are present before assembly. Contact customer service for missing parts.

Place all wooden parts on a clean, flat and soft surface (e.g. carpet or rug) to prevent parts from getting scratched.

SAFETY PRECAUTION

1. KEEP ALL HARDWARE PARTS OUT OF REACH OF CHILDREN.
2. DISPOSE PLASTIC PACKAGING MATERIAL IMMEDIATELY TO AVOID ANY RISK OF SUFFOCATION TO CHILDREN AND ANIMALS.

TIPS FOR ASSEMBLY

1. Allow ample room for assembly and in close proximity to where product will be placed.
2. Assemble the product on a surface that does not scratch or damage the exterior gloss and finish of the furniture.
3. Identify all of the parts, hardware and quantities required for each step.
4. During assembly, do not over-tighten any fittings as this may cause damage.
5. DO NOT USE POWER TOOLS TO ASSEMBLE THIS PRODUCT.
6. Always place the product on a flat, level surface.
7. Do not sit or stand on the partially assembled product; only use the product for which it is intended.

CARE AND MAINTENANCE

- Use a slightly damp cloth to clean the product. Do not use bleach or abrasive cleaning material.
- Check all the fittings periodically and re-tighten as necessary. Do not use the product if any of the parts is damaged or broken.
- Never allow any kind of liquid to remain on your furniture. Absorption can cause wood to warp or delaminate.
- Do not place hot items (e.g. hot drinks) directly onto the wood surface.
- Do not drag and/or pull the furniture.

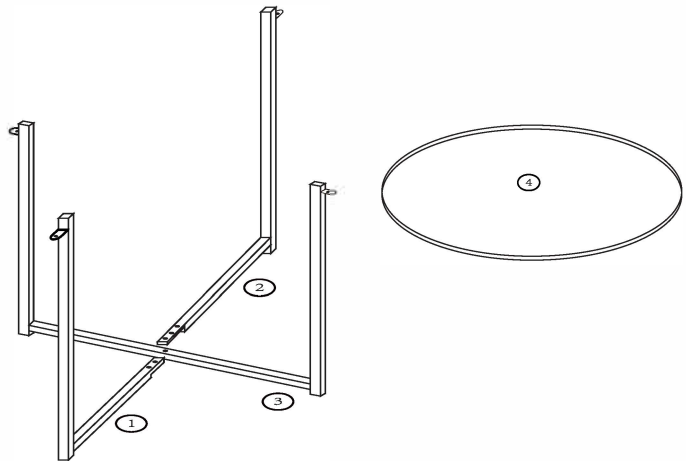
This product is for indoor and household use only - not for commercial use.

ASSEMBLY INSTRUCTIONS

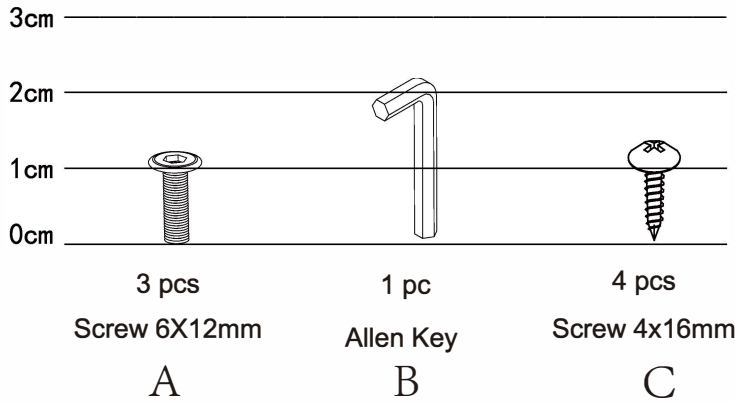
Coffee Table

PARTS LIST

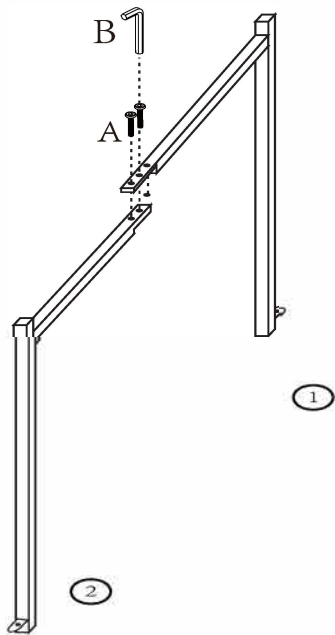
Part # & Description	Qty
(1) Half-Leg Section	1
(2) Half -Leg Section	1
(3) Leg	1
(4) Table Top	1



HARDWARE LIST

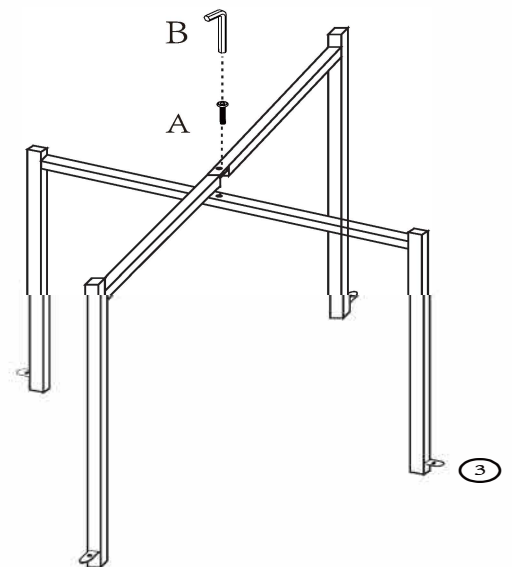


STEP 1



Join Half-Leg Sections (1 & 2) using Screw (A) as shown.
 (Note: for part (1) insert screws into first 2 holes closest to the horizontal end.)
 Use Allen Key (B) to drive screws. Tighten screws completely when both screws are in place.

STEP 2

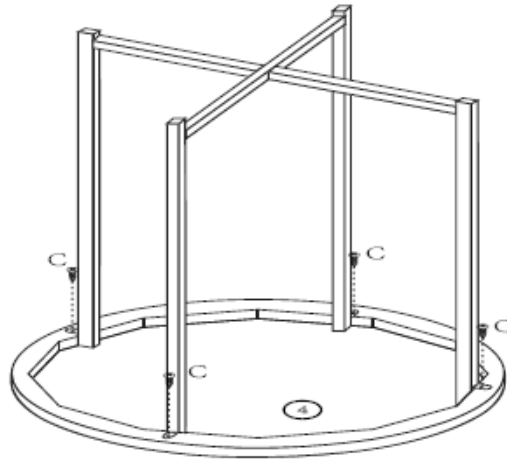


Place joined Leg Sections (1 & 2) from STEP 1 over Leg (3) as shown and align the screw holes.
 Next, use Allen Key (B) to drive Screw (A) to fasten the legs.

ASSEMBLY INSTRUCTIONS

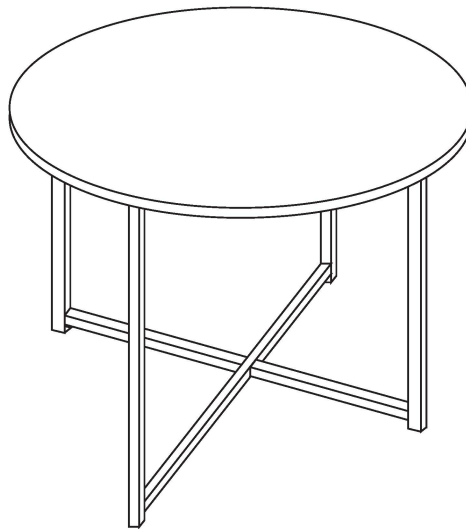
Coffee Table

STEP 3



- Lay Table Top (4) bottom-side up on a material that does not damage its surface.
- Position leg assembly completed in STEP 2 to align screw holes on brackets on each leg to the screw holes on (4).
- Use a Phillips Screwdriver to drive Screw (C) to fasten legs to table. Do not tighten screws completely until all 4 screws are in place.

STEP 4



Set the table right-side up.

The assembly of the coffee table is complete.