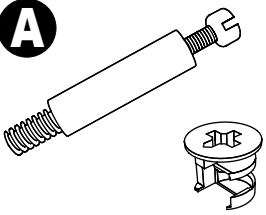

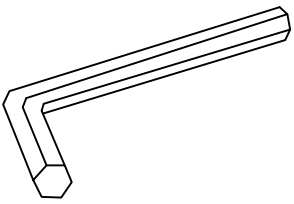
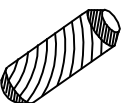
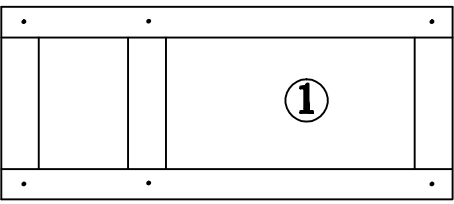
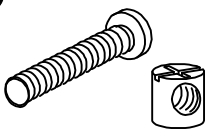


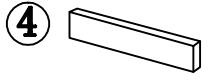
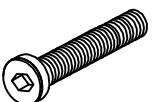


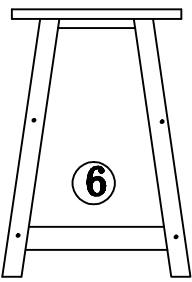
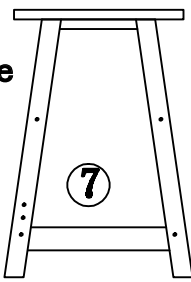
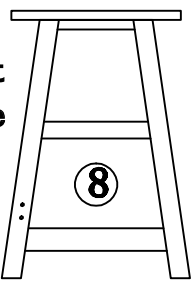
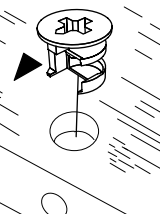
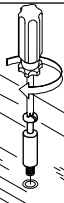
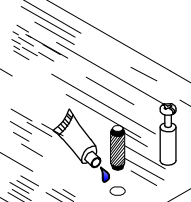
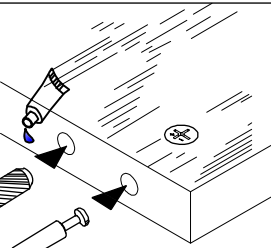
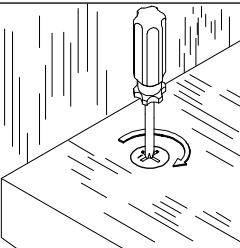


Hardware List

<p>A</p> 	<p>F</p> 	<p>G</p> 
<p>Cam dowel (4pcs)</p>	<p>Cap (12pcs)</p>	<p>Allen wrench (1pc)</p>
<p>Part List</p>		
<p>B</p> 	 <p>1 Desktop (1pc)</p>	
<p>Wood dowel (8pcs)</p>		
<p>C</p> 	<p>2</p>  <p>Middle Shelf (1pc)</p>	<p>3</p>  <p>Bottom Shelf (1pc)</p> <p>4</p>  <p>Shelf Supports (4pcs)</p>
<p>Long Screw & Inserted Nut (12pcs)</p>		
<p>D</p> 	<p>5</p>  <p>Support Rail (1pc)</p>	
<p>Screw (6pcs)</p>		
<p>E</p> 	<p>6</p>  <p>Left Frame (1pc)</p>	<p>7</p>  <p>Middle Frame (1pc)</p>
<p>Glue (1pc)</p>		<p>8</p>  <p>Right Frame (1pc)</p>

Assembling the unit with camlocks and wood dowels.

				
<p>Insert camlock, camlock must face bolt hole</p>	<p>Gently screw cam dowel into the threaded anchor</p>	<p>Lightly glue one end of wood dowel and tap into hole.</p>	<p>Lightly glue dowel and connect to second panel by inserting dowels into holes</p>	<p>Gently screw the cam clockwise into locked position. Do not overtighten.</p>