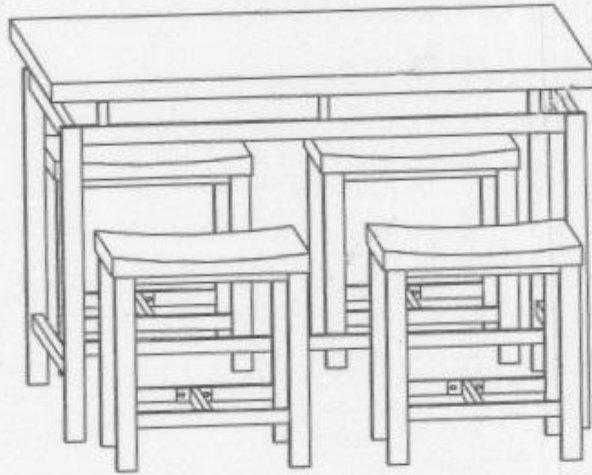
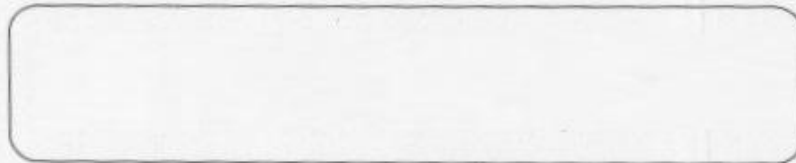


Assembly Instruction  
DINING SET(1+4)  
TABLE/18" STOOL



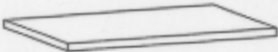

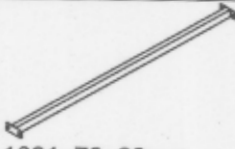





**Thank you for purchasing our product!**

Please assemble the products with the guidance of this manual instruction. Contact our friendly customer service department with any comments or in case there is any missing or damaged parts or hardware.



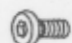
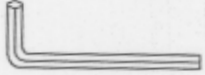


**We appreciate your business!**

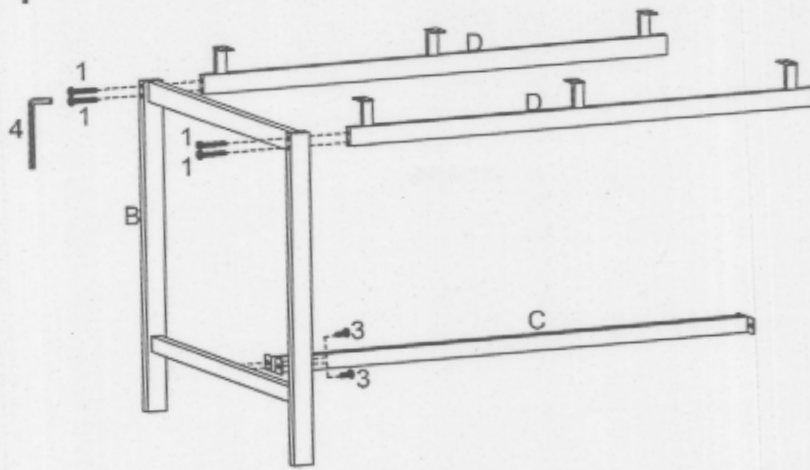
### Part List

A	 1100x700x40mm Top Panel	x1
B	 660x660x40mm Metal Side Frame	x2
C	 1001x70x30mm Bottom Metal Support	x1
D	 980x90x40mm Metal Cross Bar	x2
E	 400x300x40mm Stool Top Panel	x4
F	 390x410x20mm Stool Metal Side Frame	x8
G	 254x60x16mm Stool Metal Cross Bar	x4
H	 257x70x30mm Stool Bottom Metal Support	x4

### Hardware List

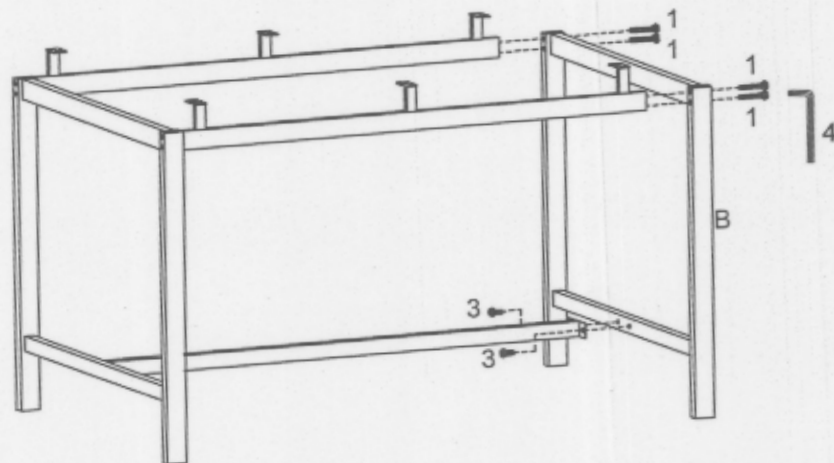
1	 M6x60mm Long Bolt	x8
2	 M6x25mm Middle Bolt	x16
3	 M6x12mm Short Bolt	x42
4	 M6 Allen Key	x1

## Step 1



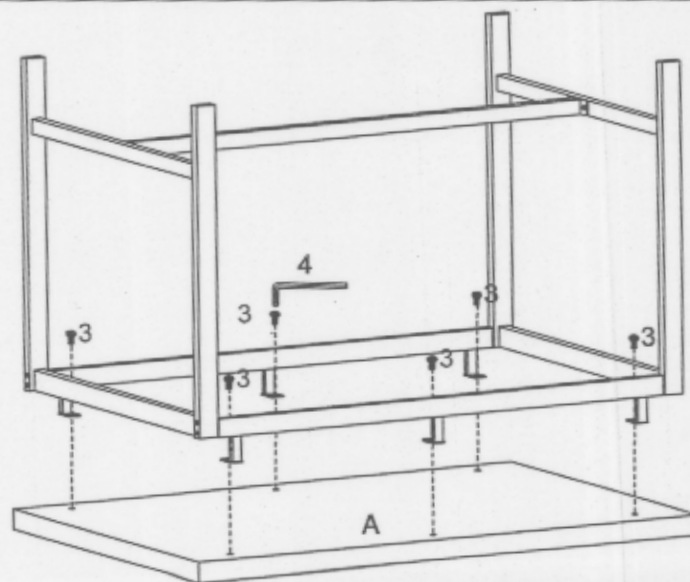
Assemble Metal Cross Bar (D), Bottom Metal Support Bar (C) to Metal Side Frame (B) by using Long Bolt ①, Short Bolt ③ as shown. Tighten by using Allen Key ④.

## Step 2



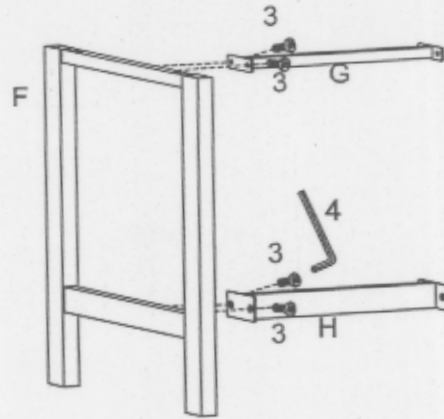
Assemble Metal Side Frame (B) to Assembly Unit by using Long Bolt ①, Short Bolt ③ as shown. Tighten by using Alley Key ④.

## Step 3



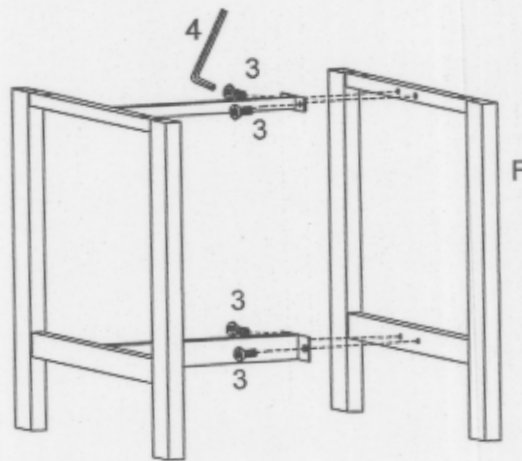
Install Top Panel (A) to Assemble Unit by using Short Bolt ③ as shown. Tighten by using Allen Key ④.

## Step 4



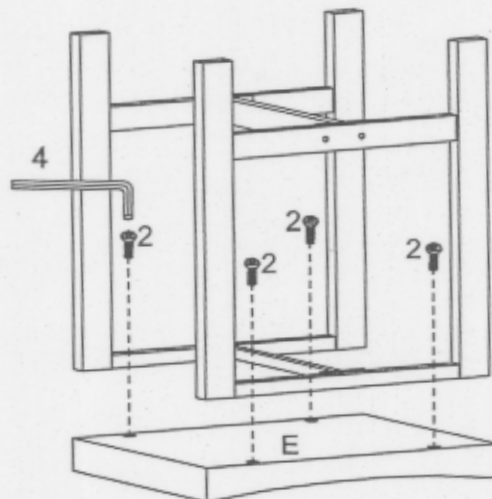
Assemble Stool Metal Cross Bar (G), Stool Bottom Metal Support Bar (H) to Stool Metal Side Frame (F) by using Short Bolt ③ as shown. Tighten by using Allen Key ④.

## Step 5



Assemble Stool Metal Side Frame (F) to Assembly Unit by using Short Bolt ③ as shown. Tighten by using Alley Key ④.

## Step 6



Install Stool Top Panel (E) to Assemble Unit by using Middle Bolt ② as shown. Tighten by using Allen Key ④.