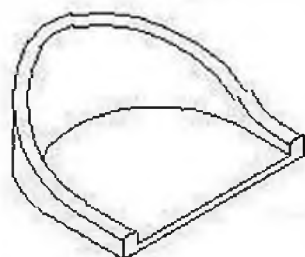
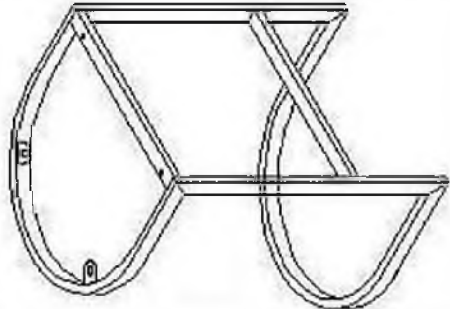


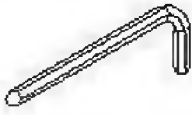
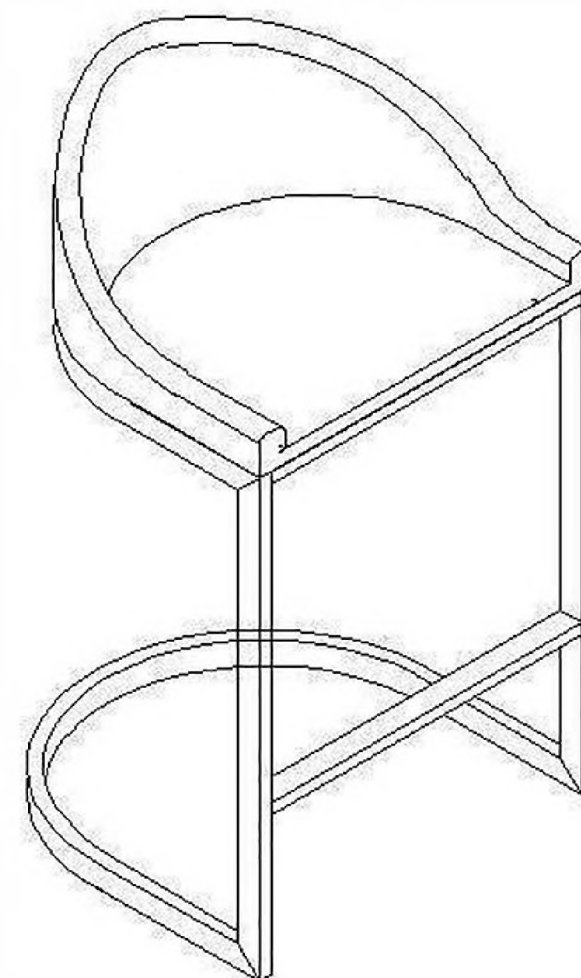
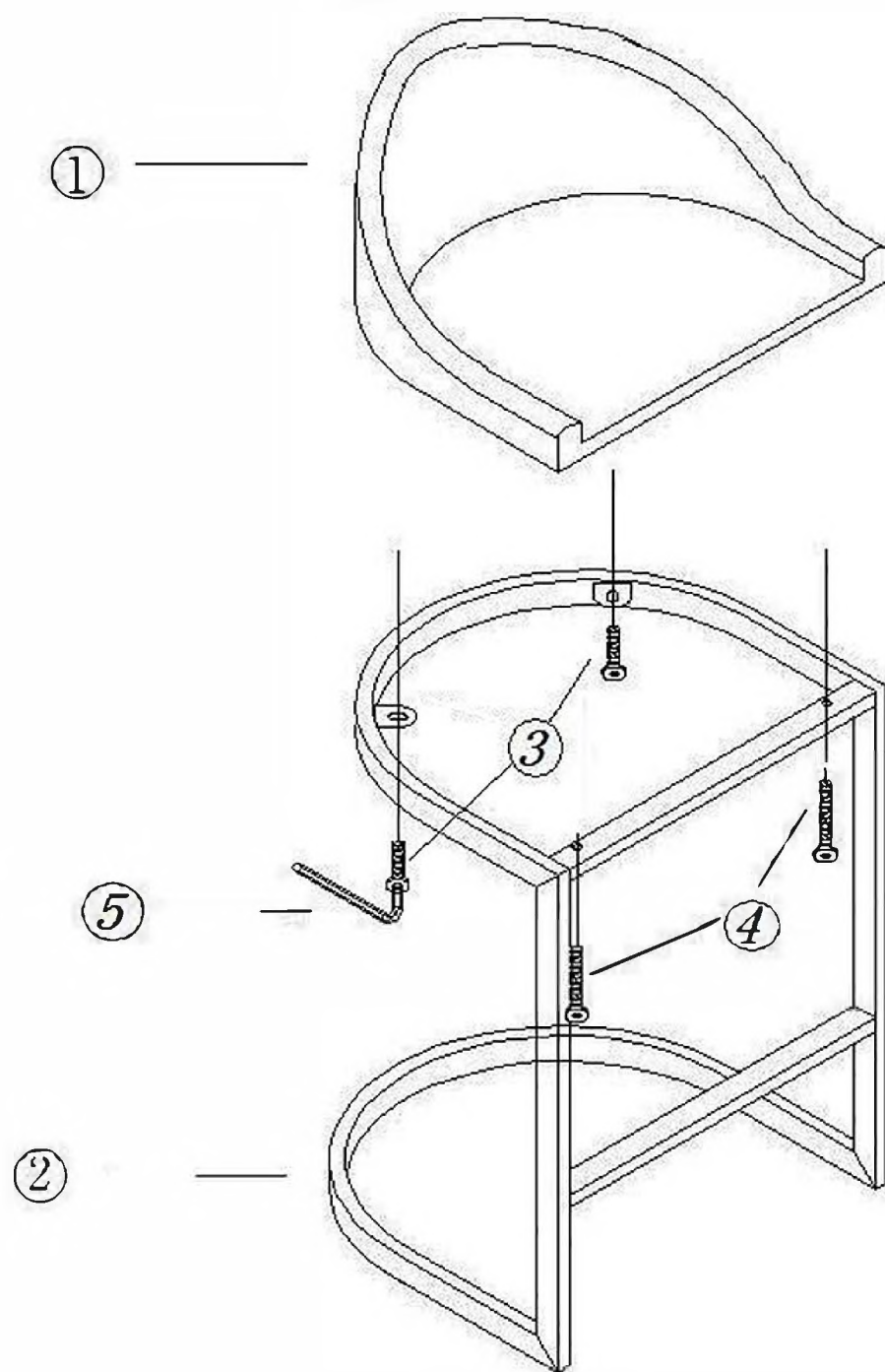


ITEM NO.	① SEAT	② FRAME	③ BOLT	④ BOLT	⑤ WRENCH
Bar Stool			 M6*25 (2p)	 M6*30 (2P)	 Φ4

ASSEMBLY INSTRUCTIONS



TO CLEAN THE PU/LEATHER COVER, WIPE CLEAN WITH A SOFT MOISTENED CLOTH WITH WATER AND A NEUTRAL DETERGENT. DO NOT USE BLEACH, CHEMICAL, OR BIOLOGICAL PRODUCTS TO CLEAN THE METAL PARTS. USE A STAINLESS STEEL CLEANER ON A REGULAR BASIS. ESPECIALLY IN AREAS OF HIGH HUMIDITY, OTHERWISE RUSTING AND/OR SQUEAKING MAY OCCUR.