


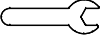
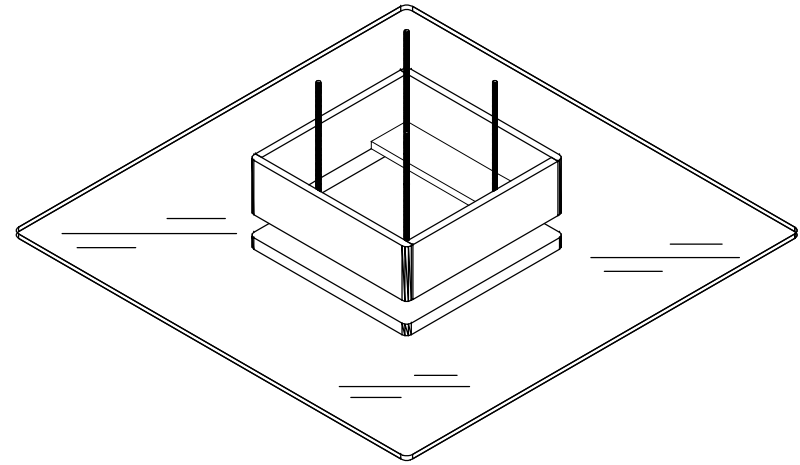
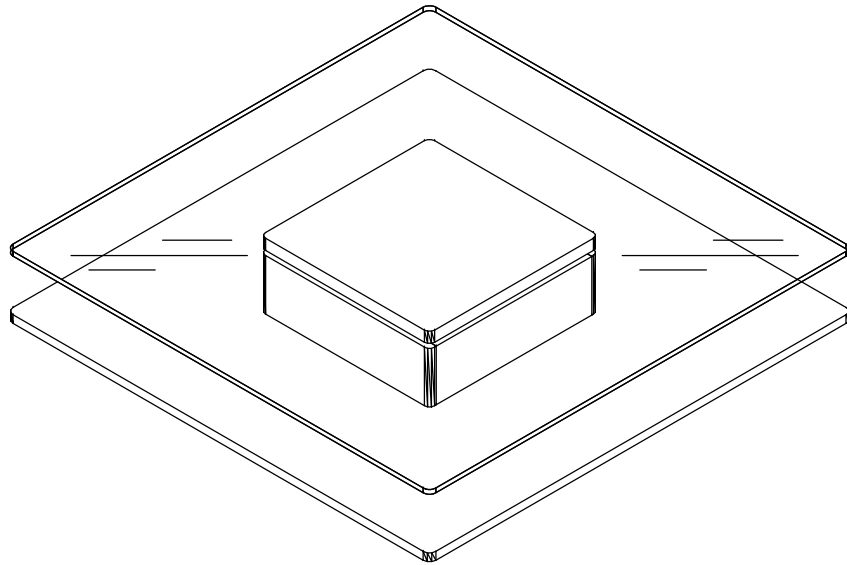


# ASSEMBLY INSTRUCTION

1

## SETTING FITTINGS

| FITTINGS | SPEC  | AMOUNT | FITTINGS | SPEC   | AMOUNT |
|----------|---|--------|----------|--|--------|
| A        |  M8*200    | 4PCS   | C        |  M8   | 4PCS   |
| B        |  10*20*1.2 | 4PCS   | D        |  14mm | 1PCS   |



2

