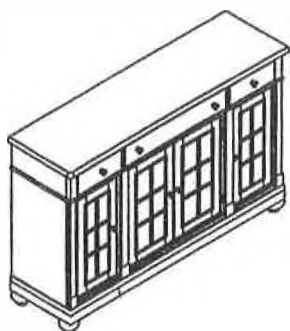






ASSEMBLY INSTRUCTION

DESCRIPTION: BUFFET

Thank you for purchasing this quality product. Be sure to check all packing material carefully for small parts which may have come loose inside the carton during shipment. Identify and count all parts and compare with the parts List Below:

PART LIST:



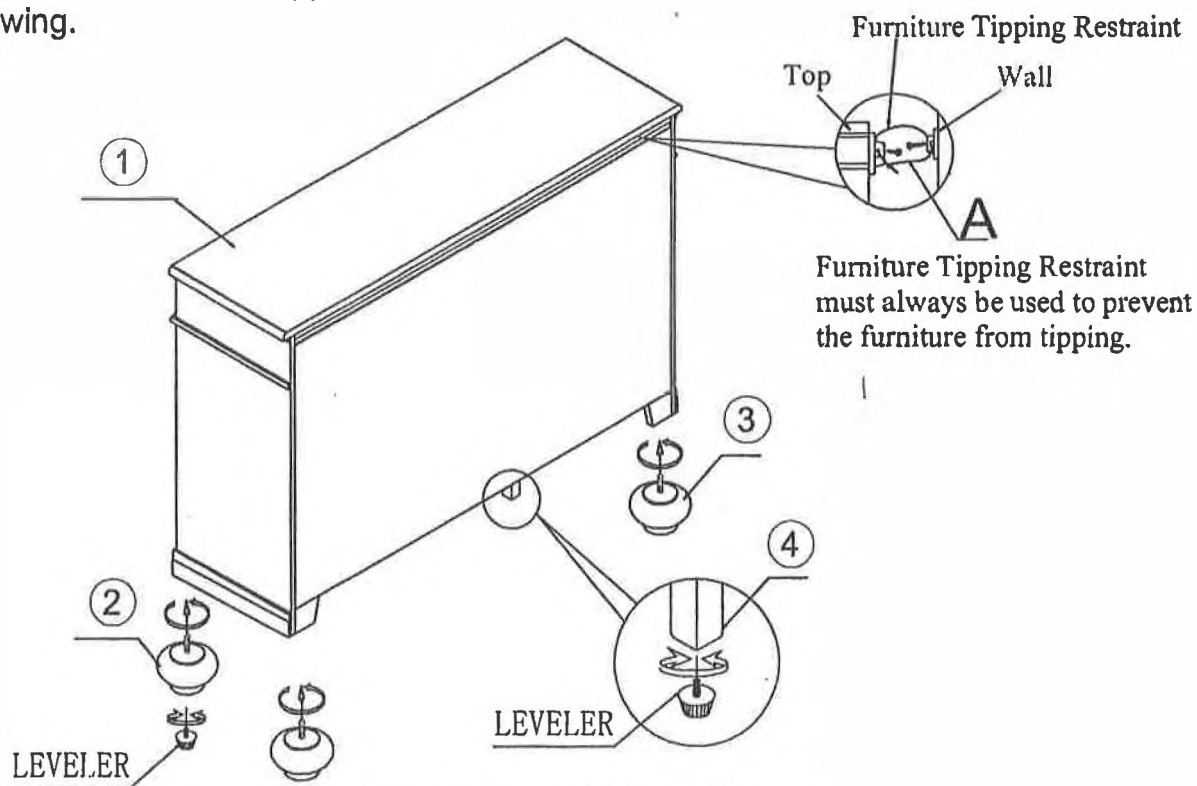
①  BUFFET: 1PC	②  FRONT BUN FOOT: 2PCS	③  BACK BUN FOOT: 2PCS	④  SUPPORT LEG: 1PC
--	---	--	---

HARDWARE LIST

NO.	Drawing	Description	Q'ty
A		Furniture Tipping Restraint	1 Set

Note: The box of bun foot and support leg are put in a box attached underneath the bottom panel of the buffet.

1. Remove bun foot and support leg from inner box and secure bun foot support as shown on drawing.



CLEANING INSTRUCTION

Clean the Buffet surface with a furniture polish and a soft cloth.

Made in VietNam