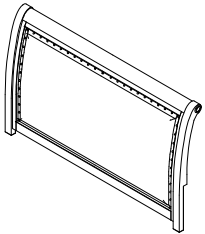
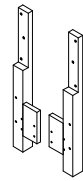
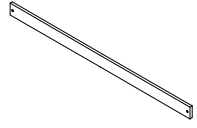
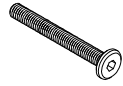





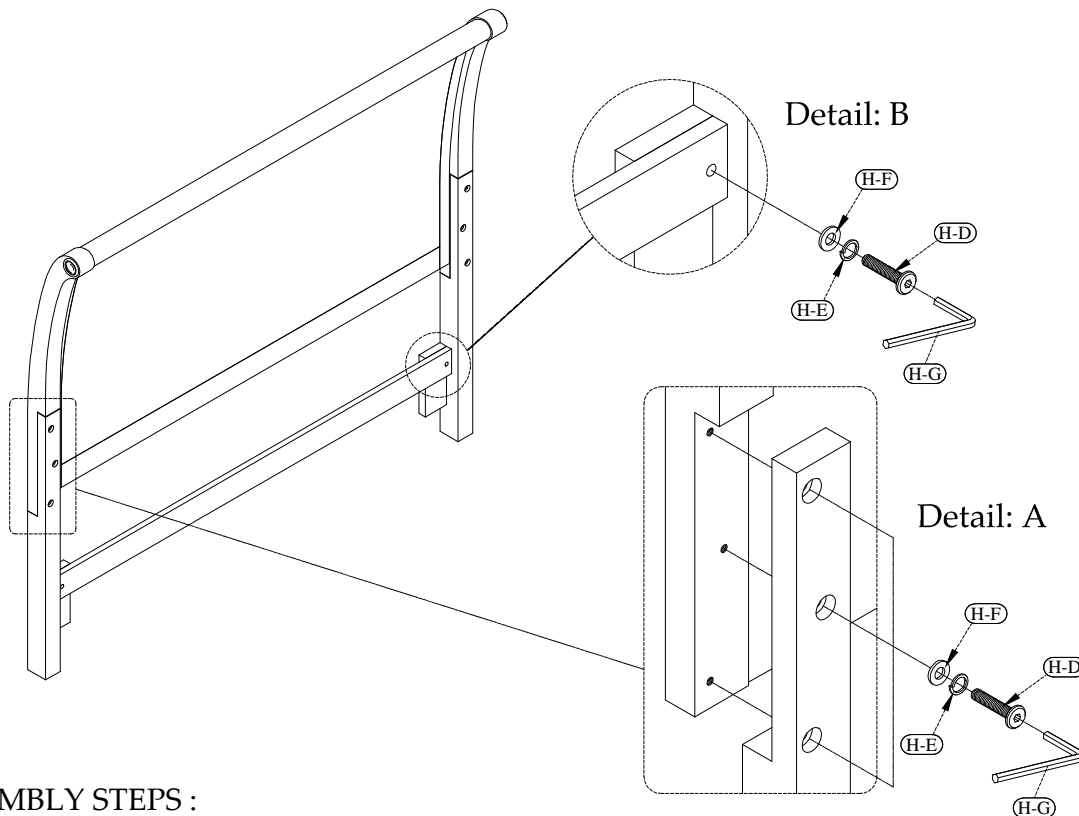
Queen Sleigh Uph.
Bed Assembly
Instructions

Page 1 of 2

Made in Viet Nam

Hardware and Parts packed with the Headboard

<p>Headboard Panel</p>  <p>(H-A) 1 pc.</p>	<p>Headboard Post</p>  <p>(H-B) One Left & One Right</p>	<p>Headboard Stretcher</p>  <p>(H-C) 1 pc.</p>	
<p>Ø5/16"-18 x 1-1/2" Allen Head Bolt</p>  <p>(H-D) 8 pcs.</p>	<p>Ø5/16" x Ø14mm Spring Washer</p>  <p>(H-E) 8 pcs.</p>	<p>Ø5/16" x Ø18mm Flat Washer</p>  <p>(H-F) 8 pcs.</p>	<p>Ø4mm Allen Wrench</p>  <p>(H-G) 1 pc.</p>

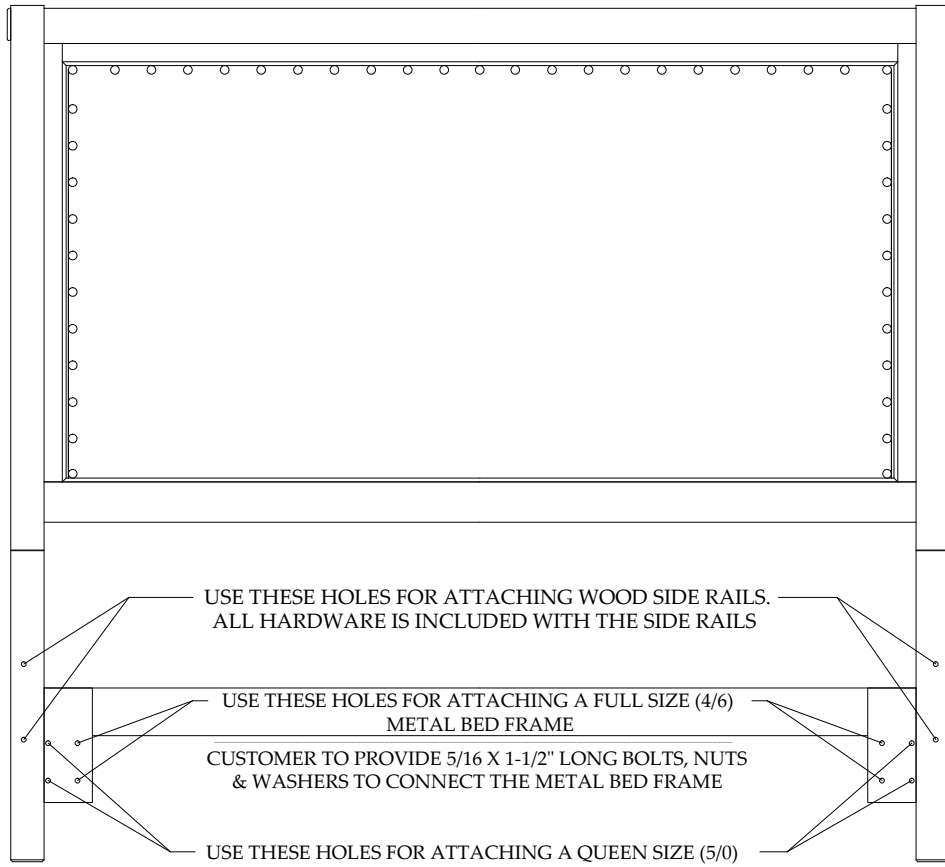


ASSEMBLY STEPS :

1. Place the Headboard Panel (H-A) face down on a clean and soft surface.
2. Attach the Left and Right Headboard Posts (H-B) to the back of the Headboard Panel, using the Flat Washers (H-F), Spring Washers (H-E) and the Ø5/16" x 1-1/2" Bolts (H-D). Do not fully tighten until after next step. (see Detail A).
3. Attach the Headboard Stretcher (H-C) to the Headboard Posts using the same Washers and the Ø5/16" x 1-1/2" Bolts (H-D).
4. Tighten all Bolts using the Allen Wrench (H-G). (see Detail A & B).
5. Gently lean the back of the assembled Headboard against the wall where the Bed will be located in the room.

*Queen Sleigh Uph. Bed
Assembly Instructions*

Made in Viet Nam



- 5/0 Queen Standard Bed*
- 4/6-5/0 Sleigh Headboard*
- 4/6-5/0 Sleigh Footboard w/Slats*
- 5/0-6/6 Sleigh Bed Rails*

*The Headboard may be used alone
with a Queen or Full Size
Metal Bed Frame*

