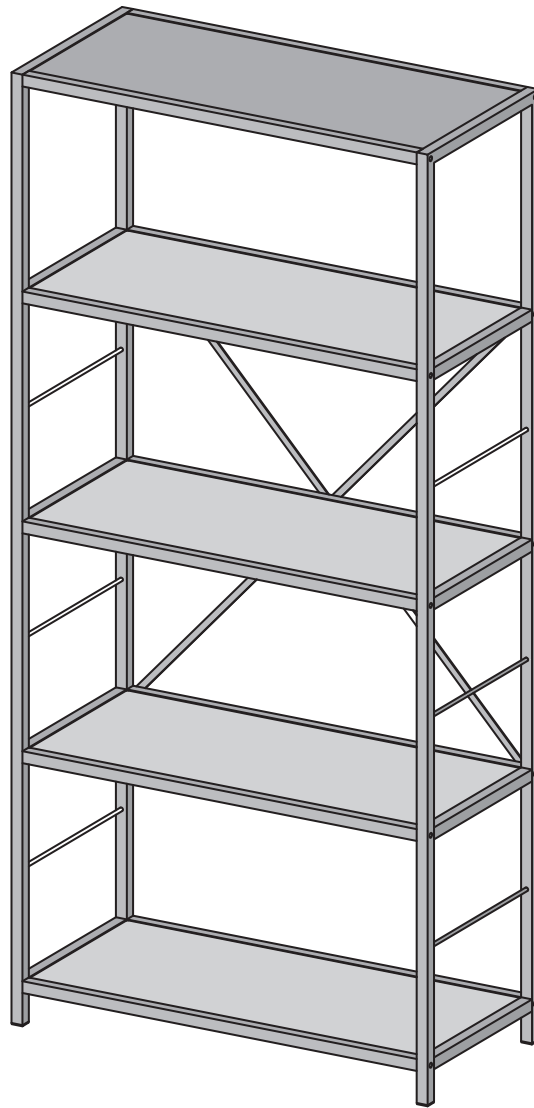
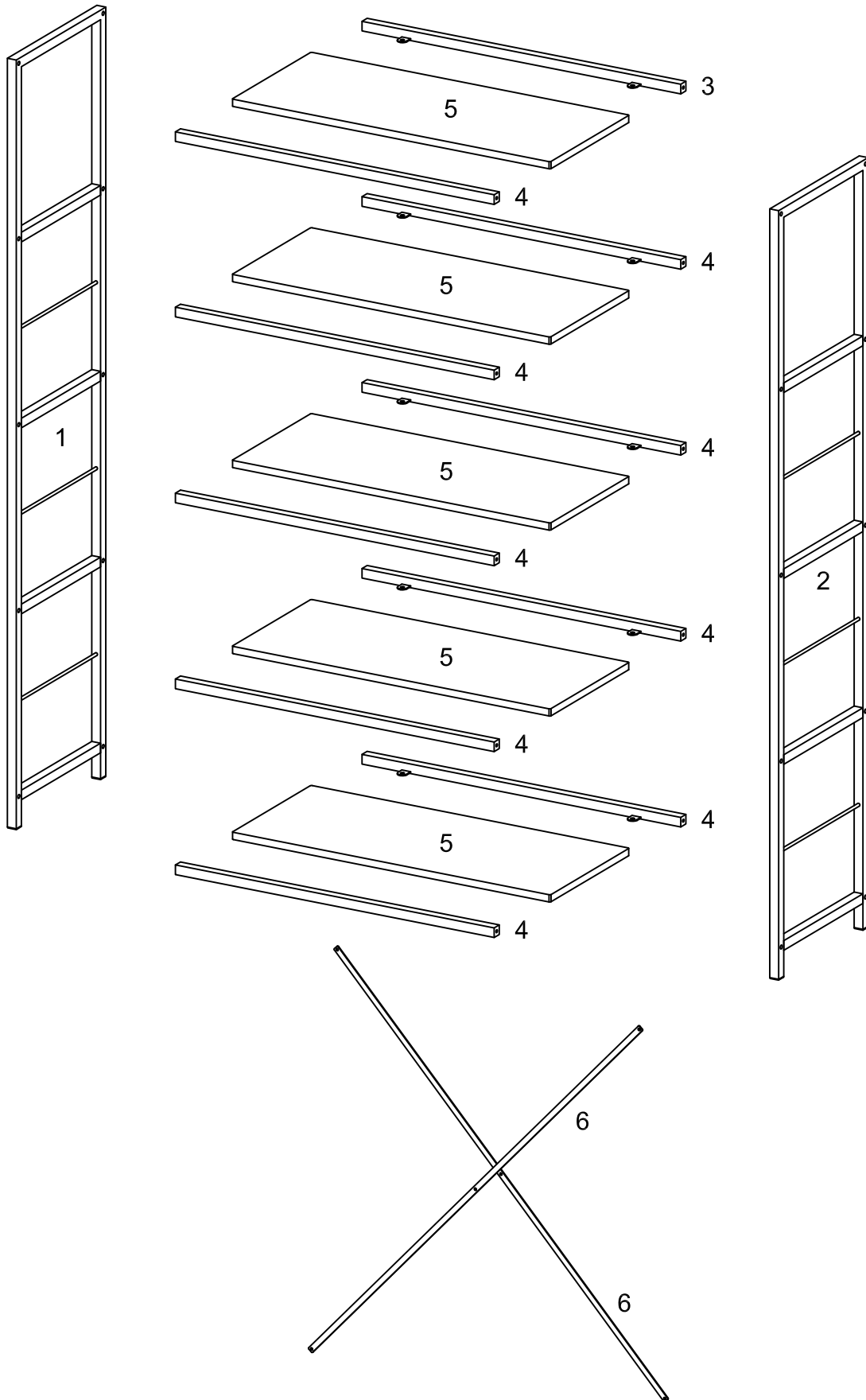



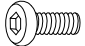
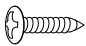





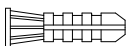


## Assembly Instructions

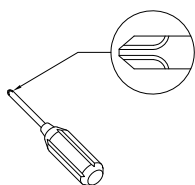


# Parts List



# Hardware List

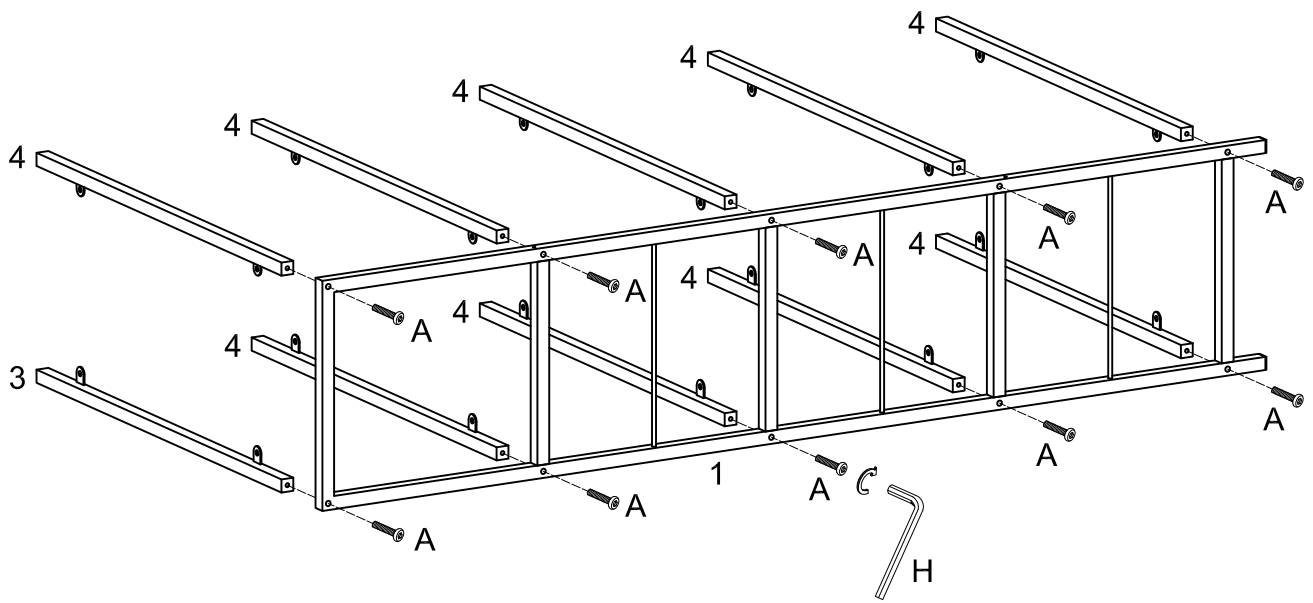
A		Ø1/4"*30mm	Bolt	20 pcs
B		Ø1/4"*12mm	Bolt	21 pcs
C		Ø4*12mm	Screw	4 pcs
D		M4*10mm	Bolt	1 pc
E		M4mm	Nut	1 pc
F			Angle iron	1 pc
G			Wrench	1 pc
H		M4*55mm	Wrench	1 pc
J			Wall anchor	1 pc
K		Ø4*40mm	Screw	1 pc
L		Ø16*6.5*1.0mm	Washer	1 pc



Philips head screwdriver required for assembly  
(not included)

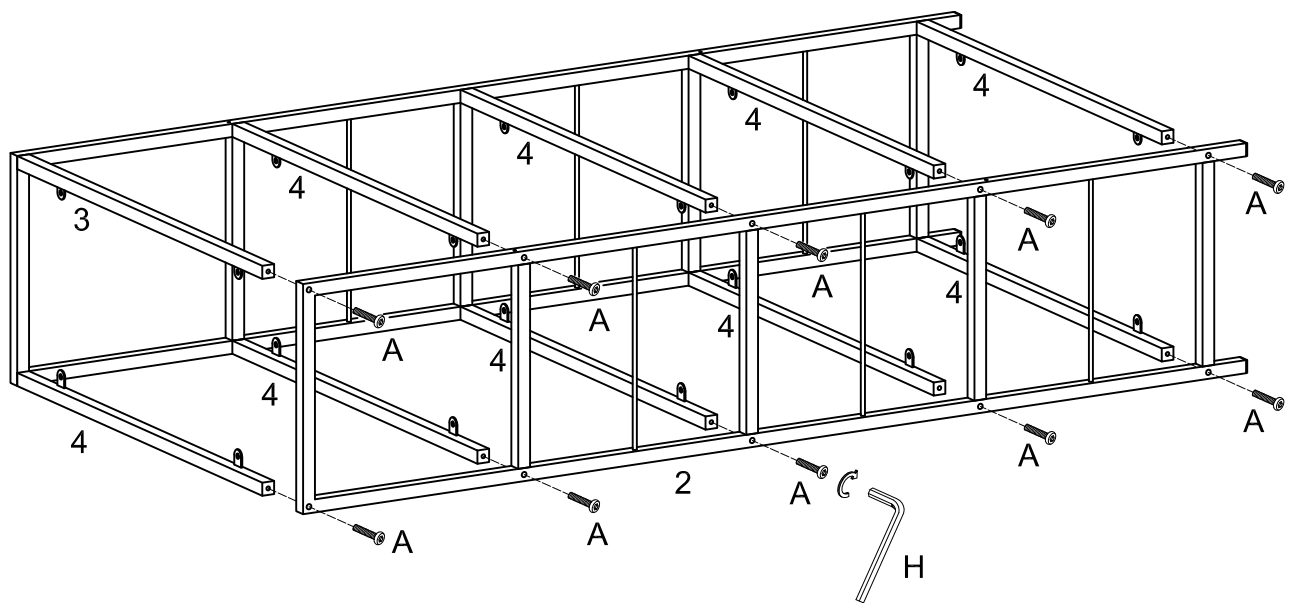
*The hardware quantities listed above are required for proper assembly.  
Some extra hardware may also have been included.*

# Step 1



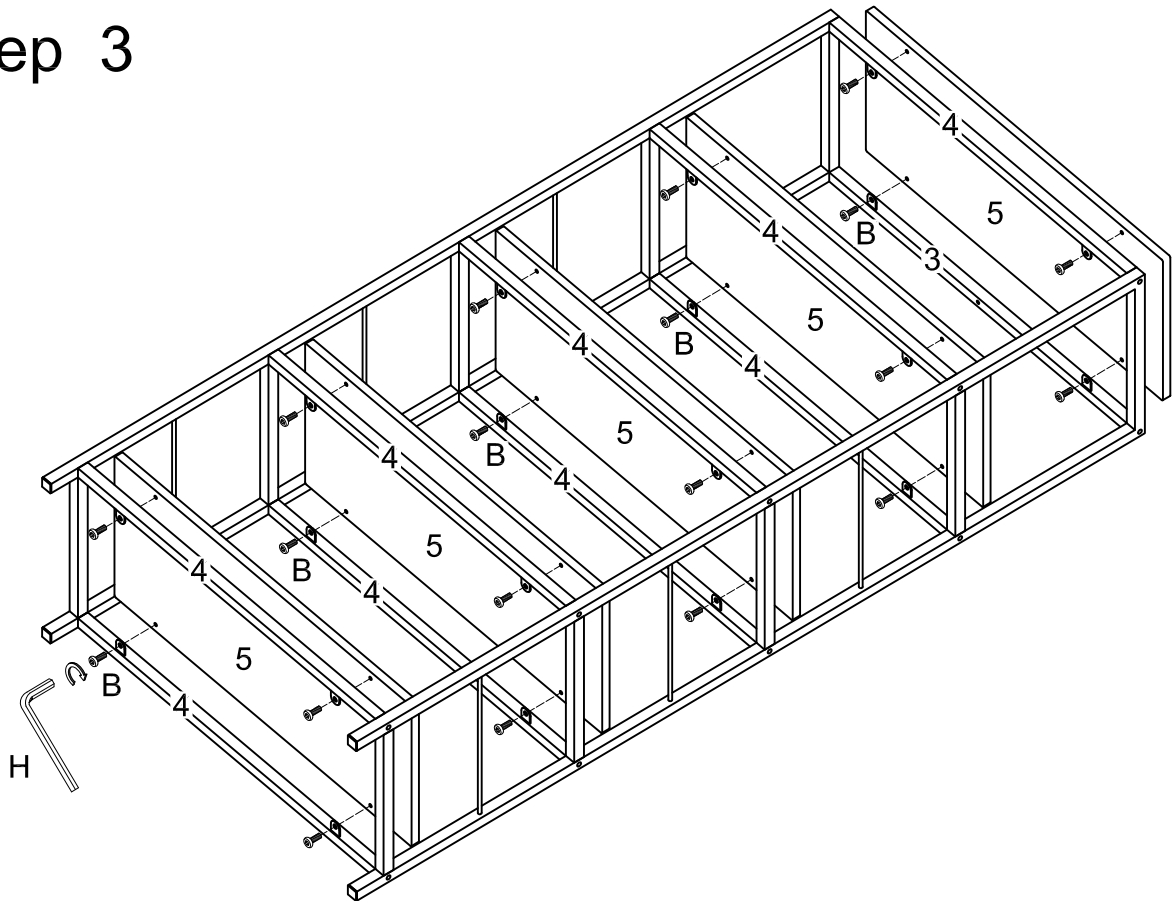
Attach supports (4) to legs (1) using bolts (A) as shown.

# Step 2



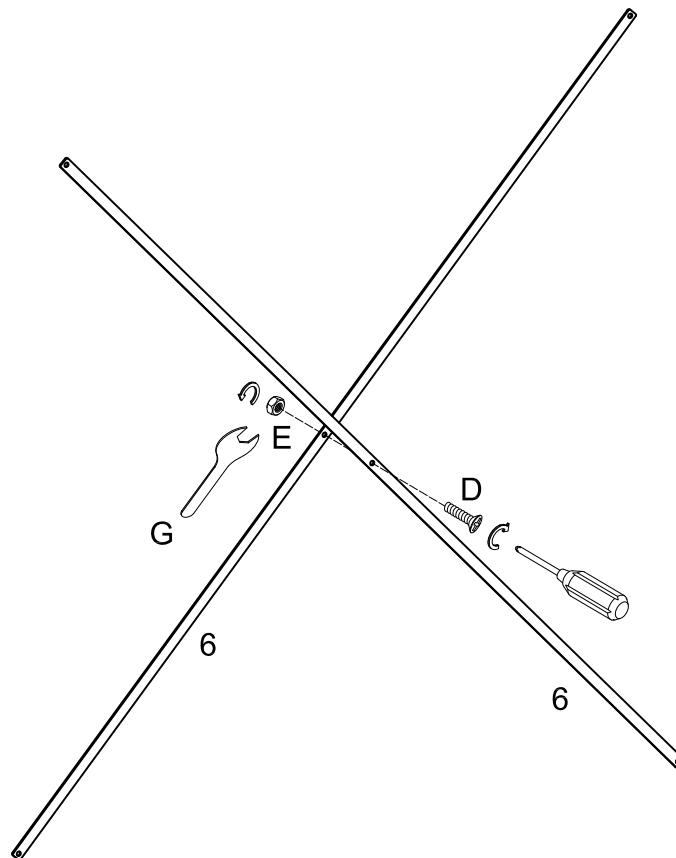
Attach supports (4) to legs (2) using bolts (A) as shown.

## Step 3



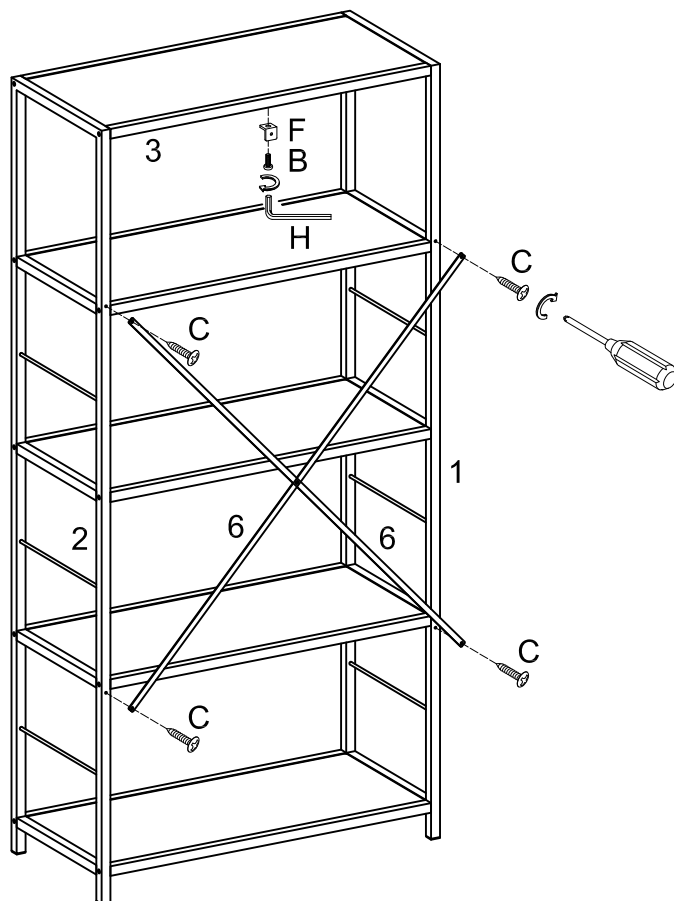
Secure wood panels (5) to frame assembly using bolts (B) as shown in the diagram.

## Step 4



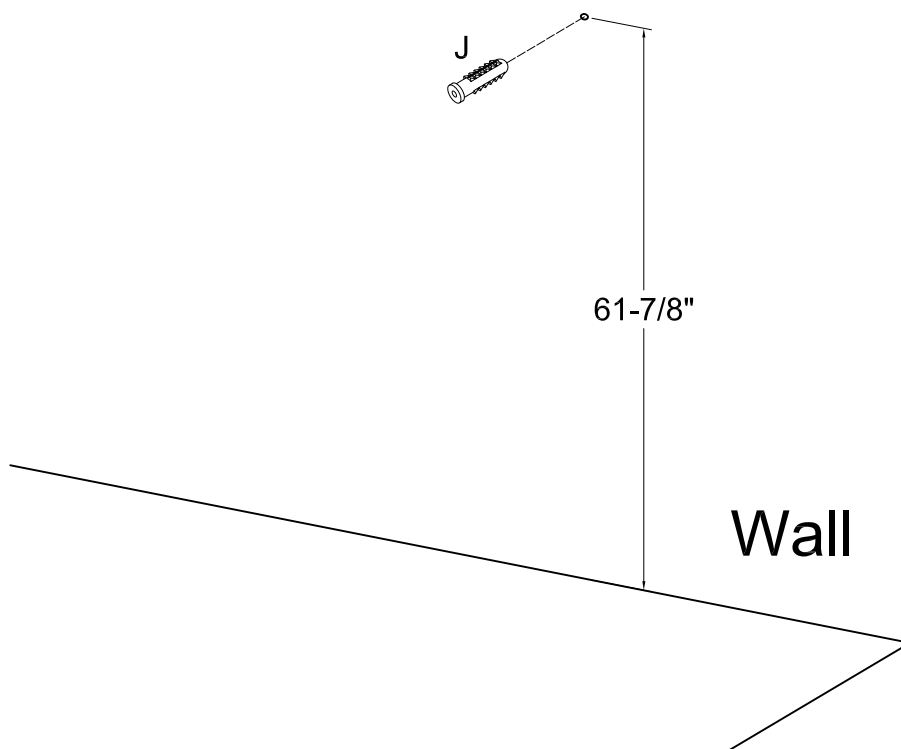
Join cross beams (6) together using bolt (D) and nut (E) as shown.

## Step 5



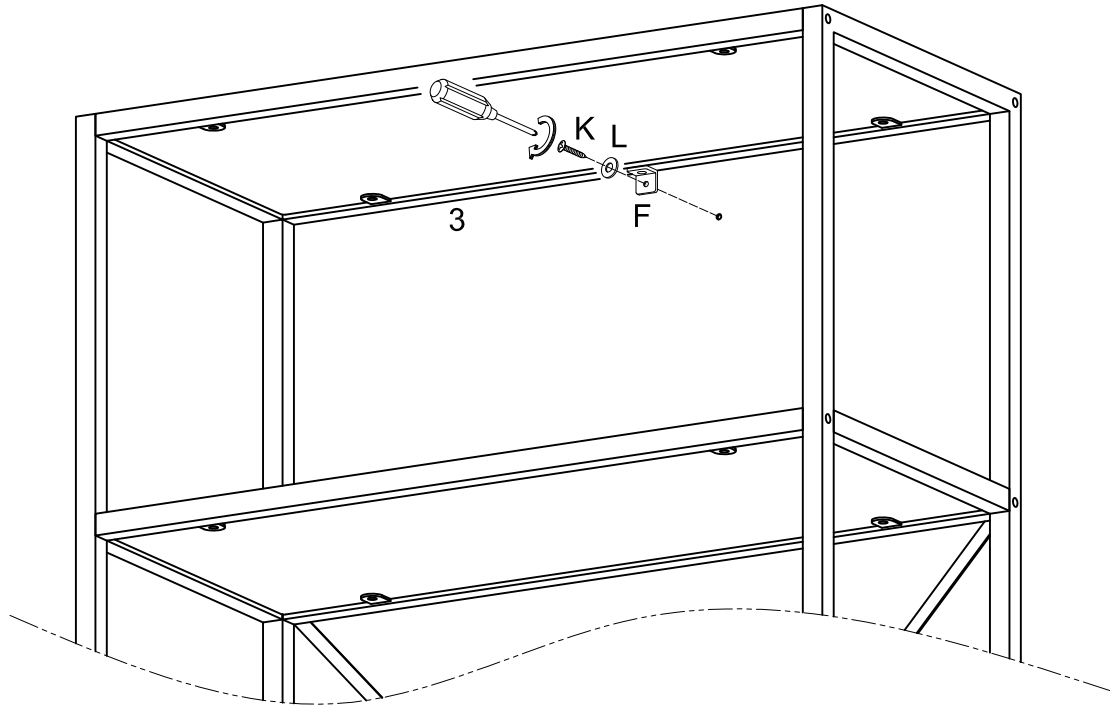
Secure cross beam assembly to frame using screws (C). Secure angle iron (F) using bolt (B).

## Step 6



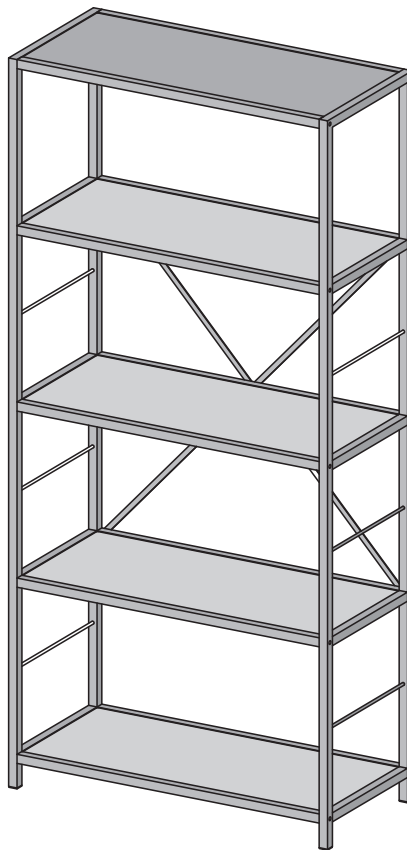
(Optional) Insert wall plugs (J) into your wall at the indicated measurements if desired.

## Step 7



(Optional) Secure unit to the wall using screws (K) and washers (L) at the installation points of wall plugs (J) from previous step.

## Step 8



**Final Assembly**