

RECTANGLE UNDERCOUNTER CERAMIC VESSEL

RONBOW

MODEL: 200521-COLOR

SPECIFICATION SHEET

UNDER COUNTER SINKS

Under counter ceramic vessel with overflow

Codes/Standards Applicable

Specified model meets or exceeds the following:

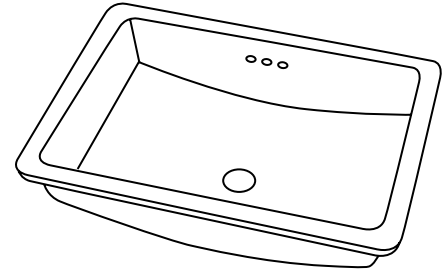
- ASME A112.19.2
- IAPMO/cUPC®
- CSA B45
- CMR 248

Available Colors:

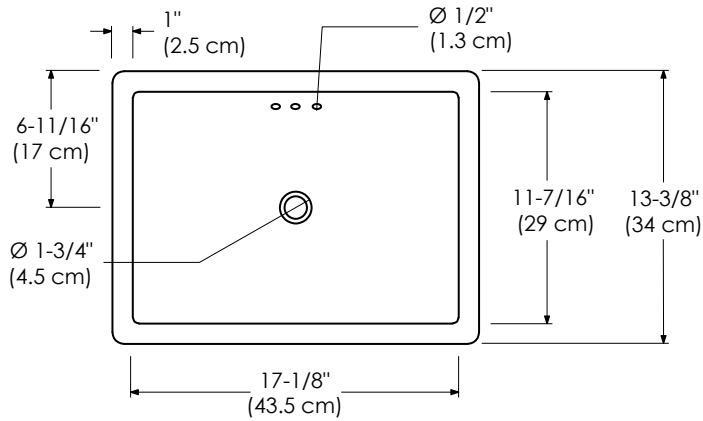
WHITE WH

BISCUIT BI

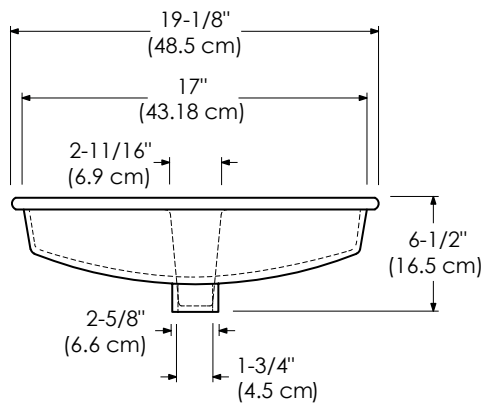
Counter cutout opening: 16-5/16" (41.5cm) W x 10-15/16" (27.8cm) D



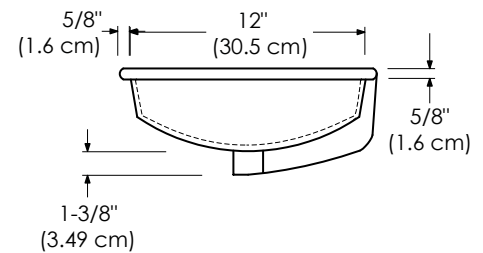
TOP VIEW



FRONT VIEW



SIDE VIEW



By IAPMO, ceramic lavatory warpage is defective only if warpage of flat slab out of horizontal plane exceeds 6.3 mm/m (0.25 in/ft) on all sizes OR warpage on back of lavatories that are attached to the wall exceeds 3 mm (0.13 in).